



Uncommon Excellence™
1916 – 2016

**DIXON
BAYCO**



The Right Connection®

2016

GOODYEAR
GOODYEARBELTING.COM

**Call Toll Free: 1-866-711-4673
International: +1-727-342-5086**

**We Ship
World Wide**

Table of Contents

Fuel Compatibility Chart 4

API Valves 6
 API Valve Dust Caps 7
 API Valve Gravity Drop Adapters 7

Flanged Connections and Accessories 8-10
 TTMA Flanged Sight Flow Indicators 8
 TTMA Flange x Thread Adapters 9
 TTMA Weldable Flanges 9
 TTMA Flange Reducer 10
 TTMA Butterfly Valve Spacer 10
 API & TTMA Flange Gaskets 10
 TTMA Flange Dimensions 10

Fuel Delivery Elbows..... 11-13
 6200 Series- Fuel Delivery Elbows..... 11
 6500 Series- Heavy Duty Fuel Delivery Elbows 11
 Straight Drop Fuel Delivery Connectors 12
 Fuel Delivery Elbow Inlets 12
 Side Seal Fuel Delivery Elbows..... 12
 Side Seal to Top Seal Adapter 13
 Elbow Height Extensions..... 13
 Tank Cabinet "Dummy" Weld-On-Adapters 13

Coaxial Single Point - Fuel Delivery/Vapor Recovery Elbows 13-14
 Replacement Fuel Inlets and Vapor Outlets 13
 Coaxial Elbows 14

Fuel Station 15
 Delivery In-Ground Adapters and Caps..... 15
 Vapor Recovery Adapters and Caps 15

Vapor Elbows..... 14,16
 Single Point - Coaxial Elbows..... 14,16
 Dual Point - Vapor Recovery Elbows 16

Tank Vapor Equipment 15,17,18
 Tank Vapor Return Valves 17
 Orange Vapor Caps..... 15,17
 Vapor Hose Couplings..... 18
 Tank Sequential Vapor Vents..... 18
 Tank Inbreathing and Outbreathing Vents..... 18

Miscellaneous Tank Equipment 18-21
 Air Interlock Valves..... 19
 Hose Tube Doors 20
 Aluminum Ladder Step..... 20
 Static Grounding Balls 20
 One Way Full Flow Ball Valves 21

Dry Disconnects 22-27
Cam & Groove Style Dry Disconnect Couplings 22-25
 Female NPT Adapters 22
 Jump Size Female NPT Adapters 23
 Female NPS Vapor Adapter 23
 150# Flange Adapter 23
 Female NPT Couplers 24
 Greaseless Female NPT Couplers..... 24
 Female NPT Swivel Couplers..... 24
 Valve Handle Locking Kits for above Couplers 25
 Cam & Groove Style Dry Disconnect D2C Couplings 25
Bayco Bayonet Style Dry Disconnect Couplings 26
 Female NPT Adapters 26
 Female NPT Couplers 26
 Caps and Plugs 27

API Couplers 28

Groove Connections 29
 Aluminum Groove Clamps..... 29
 Lightweight Iron Groove Clamps 29
 Replacement clamp Gaskets..... 29

Fuel Nozzles & Accessories 30-33
Automatic Shut Off..... 30-31
 Farm and Consumer Nozzles 30
 Big Mouth™ Diesel Nozzle 30
 Fuel Master™ Diesel Nozzle 30
 Bayco Automatic Diesel Nozzle..... 31
 Fueler 100™ Automatic Diesel Nozzle..... 31
Manual Shut Off..... 31-34
 Ball Nozzles..... 32
 Replacement Spouts and Quick Fill Swivel Nuts..... 32
 Pressure Nozzles for Bulk Delivery 31
 Replacement Spouts 31
 High Capacity - Low Pressure/Gravity Utility Nozzle..... 31
 Standard - Low Pressure/Gravity utility Nozzle 33
 Replacement Spouts 33
 Aircraft Over Wing Nozzles 34
Accessories 34
 Male x Female NPT Nozzle Swivels..... 34
 Male NPT x Hose Shank Swivels 34
 Breakaways..... 34

Fuel Tank Accessories..... 33
 Automatic Pressure/Vacuum Relief Caps for
 Stationary Tanks..... 33
 Standard Vent Caps for Stationary Tanks 33
 Automatic Pressure/Vacuum Relief Caps for Mobile Tanks. 33



Call Toll Free: 1-866-711-4673
International: + 1-727-342-5086



Table of Contents

Fuel Tanker Overfill Detection.....37-66

Important Information about Dixon™ FloTech™ 38

Plug-n-Play Checkmate Overfill/Retain System 39-40

Monitors with Integrated Dual Sockets 39, 40

Stand Alone Monitors 41

Stand Alone Socket Assemblies 41

Overfill Sensors & Probes 42

Retain Sensors 42

Wiring Harness 43

Checkmate Overfill/Retain Black & White

2 Wire System 44-45

Complete Overfill Detection Systems

(Top Detection Only) 44

Complete Overfill Detection Systems

(Top & Bottom) 44

R/OM Type Onboard Monitor 45

Overfill Sensors & Probes 45

Retain Sensors 45

R/OM Type Overfill/Retain Red & Black

2 Wire System 46-48

FloTech™ R/OM Overfill Detection Systems

(Top Detection Only) 46

FloTech™ R/OM Overfill Detection Systems

(Top & Bottom) 46

R/OM Type Onboard Monitor 47

Overfill Sensors & Probes 47

Retain Sensors 48

FloTech™ API Optic 5 Wire Overfill Detection Systems 49-52

FloTech™ API Optic Overfill 5 Wire Systems

(Top Detection Only) 50

FloTech™ API Optic Overfill 5 Wire System

Onboard Monitor 51

Overfill Sensors & Probes 51

Stainless Steel Probes and Sensor Housings 52

Sockets..... 53-54

Single Sockets with Aluminum Harcoat J Slots 53

Single Sockets with GFL (Guaranteed for Life)

Stainless Steel J Slots 53

EZ-Cept Double Sockets 54

EZ-Cept Triple Sockets 54

Socket Profiles 65,66

Grounding Ball and Bolt 55

Cable and Strain Reliefs 55

Electronic Equipment..... 56

Optic System Tester 56

Trailer Identification Module (T.I.M.) Chip Reader 56

Checkmate Event Date Recorder 56

API Compatible Loading Rack Cords 57

API Optic Cord Assemblies 57

API Thermistor Cord Assemblies 57

ROM Link Replacement Sensors 58

FloTech™ Replacement Parts 59-60

Competitor Cross Reference Chart 61-64

Replacement Parts67-154

Index 155-176

Petroleum
Products

Overfill
Products

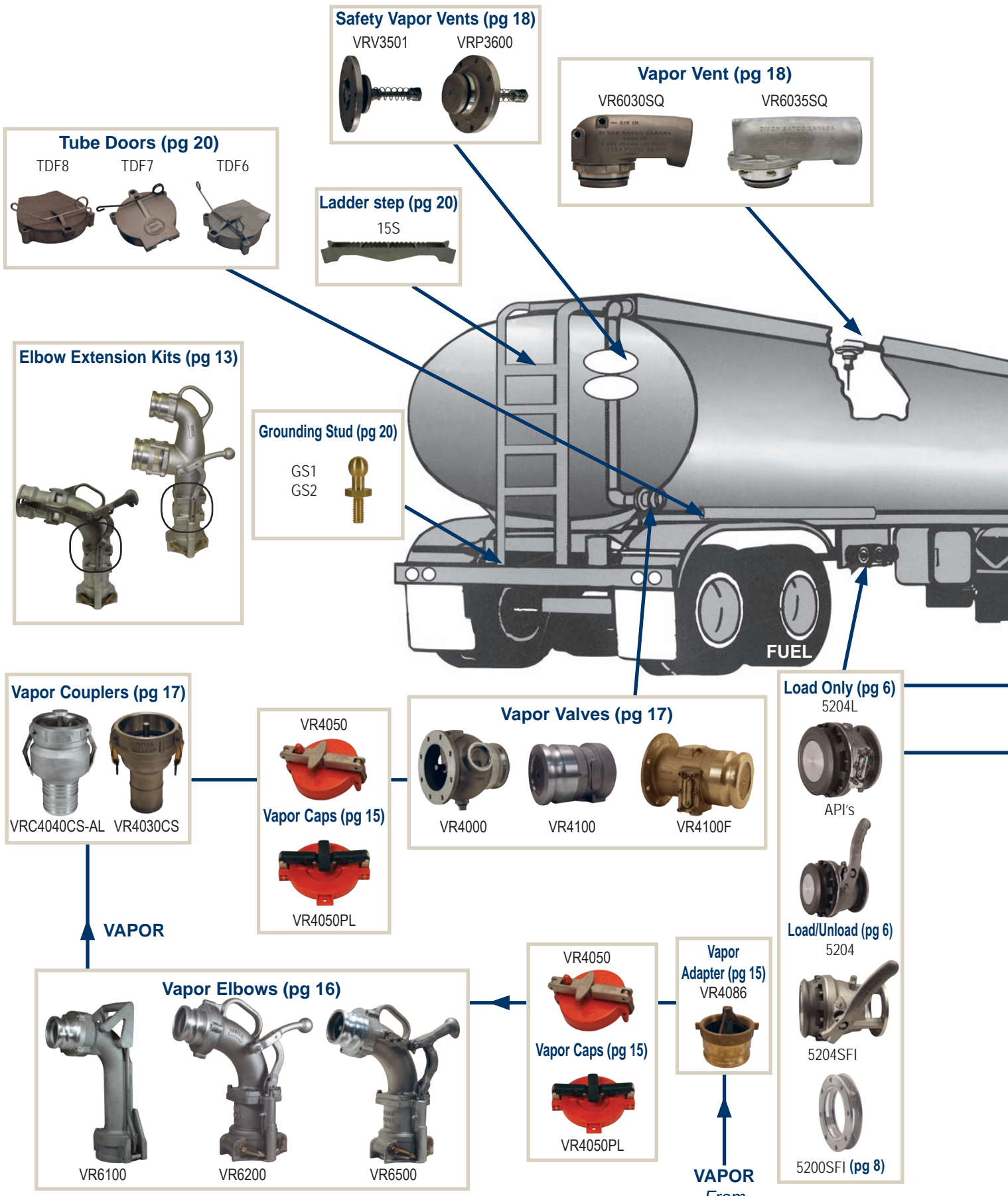
Petroleum
Replacement Parts

Overfill
Replacement Parts

Index

We Commit

- To ensure that internal and external customer needs are identified and that our products and services meet these needs.
- To fully meet and exceed the requirements of the ISO 9001 Quality Program.
- To strive for quality in each and every phase of our business.
- To exceed competitor's quality.
- To provide systems and training for all Dixon™ employees.
- To create an environment that will allow each employee to do it right the first time, and accept the responsibility for quality in each and every task they perform.
- That no employee will ever be called on to do anything morally, legally or ethically wrong.



Petroleum Tanker Products

Bayco brand products are engineered for dependable, long service life and designed for easy, low cost maintenance. Where possible, modular systems are incorporated with common parts to minimize inventory of repair items.

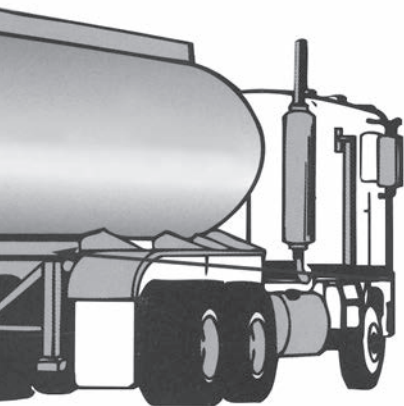
FloTech™ Overfill Detection (pgs 37-66)



Air Interlocks (pg 19)



Aluminum TTMA Flanges and Round Flange Gaskets (pgs 9-10)



API Cap Assembly (pg 7)



4500 Series Drop Adapters (pg 7)



Dust Cap



FUEL

FUEL

Elbow Inlets (pg 12) (6000 Series)



Drop Elbows (pgs 11-12)



Co-Axial Elbow (pg 14)



FUEL

Top Seal Adapters (pg 15)



Locking Fill Caps (pg 15)



FUEL

To Underground Tank

Dixon Bayco Fuel Compatibility Chart



Biofuel Compatible

Fuel Product*

Dixon Bayco Product	Page #	Description	Fuel Product*													
			Gasoline	Diesel	ULSD	Crude Oil	E10	E20	E85	E100	B2	B20	B100			
4500 Series	7	Two Piece API Drop Adapter With Sight Glass, Baylast Seals	✓	✓	✓	✓	✓	✓	✓	✓	✓	✓	✓	✓	✓	✓
4500V Series	7	Two Piece API Drop Adapter With Sight Glass, FKM Seals	✓	✓	✓	✓	NR	NR	NR	NR	✓	✓	✓	✓	✓	✓
4530 & 4540	7	API Drop Adapter Without Sight Glass, Baylast Seals	✓	✓	✓	✓	✓	✓	✓	✓	✓	✓	✓	✓	✓	✓
4530V & 4540V	7	API Drop Adapter Without Sight Glass, FKM Seals	✓	✓	✓	✓	NR	NR	NR	NR	✓	✓	✓	✓	✓	✓
4530SG & 4540SG	7	One Piece API Drop Adapter With Sight Glass, Baylast™ Seals	✓	✓	✓	✓	✓	✓	✓	✓	✓	✓	✓	✓	✓	✓
4530SGV & 4540SGV	7	One Piece API Drop Adapter With Sight Glass, FKM Seals	✓	✓	✓	✓	NR	NR	NR	NR	✓	✓	✓	✓	✓	✓
5200SFI & 5200SFI-3	7	TTMA Flanged Sight Glass With Baylast™ Seals	✓	✓	✓	NR2	✓	✓	✓	✓	✓	✓	✓	✓	✓	✓
5200SFIV & 5200SFIV-3	7	TTMA Flanged Sight Glass With FKM Seals	✓	✓	✓	NR2	NR	NR	NR	NR	✓	✓	✓	✓	✓	✓
5204	6	API Valve With Sight Glass, Baylast™ Seals	✓	✓	✓	NR2	✓	✓	NR	NR	✓	✓	✓	✓	✓	✓
5204C	6	API Valve With Sight Glass & Removable Handle, Baylast™ Seals	✓	✓	✓	NR2	✓	✓	NR	NR	✓	✓	✓	✓	✓	✓
5204L	6	API Load Only Valve With Sight Glass, Baylast™ Seals	✓	✓	✓	NR2	✓	✓	NR	NR	✓	✓	✓	✓	✓	✓
5204LNG	6	API Load Only Valve Without Sight Glass, Baylast™ Seals	✓	✓	✓	NR2	✓	✓	✓	✓	✓	✓	✓	✓	✓	✓
5204NG	6	API Valve Without Sight Glass, Baylast™ Seals	✓	✓	✓	NR2	✓	✓	✓	✓	✓	✓	✓	✓	✓	✓
5204NGC	6	API Valve Without Sight Glass, With Removable Handle, Baylast™ Seals	✓	✓	✓	NR2	✓	✓	✓	✓	✓	✓	✓	✓	✓	✓
5204NGV	6	API Valve Without Sight Glass, FKM Seals	✓	✓	✓	NR2	NR	NR	NR	NR	✓	✓	✓	✓	✓	✓
5204SFI	6	API Valve With Inline Tube Sight Glass, Baylast™ Seals	✓	✓	✓	NR2	✓	✓	✓	✓	✓	✓	✓	✓	✓	✓
5204SNG	6	API Valve Without Sight Glass, Baylast™ Seals, Stainless Spring	✓	✓	✓	✓	✓	✓	✓	✓	✓	✓	✓	✓	✓	✓
5204TNG	6	API Valve Without Sight Glass, PTFE Seals	NR1	NR1	NR1	NR1	NR1	NR1	NR1	NR1	NR1	NR1	NR1	NR1	NR1	✓
5300 & 5400	27	API Rack Coupling Buna Seals	✓	✓	✓	NR	✓	✓	✓	✓	✓	✓	✓	✓	✓	NR
5300B & 5400B	27	API Rack Coupling FKM-B Seals	✓	✓	✓	NR	✓	✓	✓	✓	✓	✓	✓	✓	✓	✓
5300G & 5400G	27	API Rack Coupling FKM GFLT Seals	✓	✓	✓	NR	✓	✓	✓	✓	✓	✓	✓	✓	✓	✓
6000, 6200 & 6500 Series Drop Elbows	11,12	Petroleum Drop Elbows & Inlets, Buna Seals	✓	✓	✓	NA	✓	✓	✓	✓	✓	✓	✓	✓	✓	NR
Vapor or Product Hose Couplings	17	Petroleum Vapor Hose Couplings, Buna Seals	✓	✓	✓	✓	✓	✓	✓	✓	✓	✓	✓	✓	✓	NR
Vapor or Product Hose Couplings	17	Petroleum Vapor Hose Couplings, FKM Seals	✓	✓	✓	✓	NR	NR	NR	NR	✓	✓	✓	✓	✓	✓
VR4000 & VR4100 Series Vapor Valves	17	Petroleum Vapor Valves	✓	✓	✓	✓	✓	✓	✓	✓	✓	✓	✓	✓	✓	✓
VR6100, VR6200 & VR6500 Vapor Elbows	16	Petroleum Vapor Elbows & Inlets	✓	✓	✓	NA	✓	✓	✓	NA	✓	✓	✓	✓	✓	NA
VR6030SQ & VR6035SQ	18	Sequential Vapor Vent Valves, Baylast™ Seals	✓	✓	✓	✓	✓	✓	✓	✓	✓	✓	✓	✓	✓	✓
300GTTFCB & 400GTTFCB	10	Cork Buna TTMA gasket	✓	✓	✓	✓	✓	NR	NR	NR	✓	✓	✓	NR	NR	NR
300GTTFBL & 400GTTFBL	10	TTMA Baylast™ Gasket	✓	✓	✓	✓	✓	✓	✓	✓	✓	✓	✓	✓	✓	✓
400GTTFK	10	Klinger® Style TTMA Gasket	✓	✓	✓	✓	✓	✓	✓	✓	✓	✓	✓	✓	✓	✓
40321TF, 40322TF & 40323TF	10	PTFE Soft Core TTMA Gaskets	✓	✓	✓	✓	✓	✓	✓	✓	✓	✓	✓	✓	✓	✓
40364BL & 40323BL	10	Baylast™ Sump Gaskets	✓	✓	✓	✓	✓	✓	✓	✓	✓	✓	✓	✓	✓	✓
FT151,FT202,FT101	44,46,49	FloTech™ Sensors	✓	✓	✓	✓	✓	✓	✓	✓	✓	✓	✓	✓	✓	✓
FT150S, FT100S	50	FloTech™ Stainless Steel Sensors	✓	✓	✓	✓	✓	✓	✓	✓	✓	✓	✓	✓	✓	✓

Notes:

- NA Not Applicable (This product is not used in this application)
- NR Not Recommended
- NR1 Not Recommended cost and tendency for PTFE to become damaged from particulate material is not justified for this application.
- NR2 Not Recommended crude oil contains acids that are corrosive to steel parts
- ULSD Ultra low sulfur diesel (ULSD) is a term used to describe a standard for defining diesel fuel with substantially lowered sulfur contents. As of 2006, almost all of the petroleum based diesel fuel available in Europe and North America is of a ULSD type.
- Crude Oil Oil in its natural state, as it comes from the ground. Crude oil can contain various other chemicals and gases, many of which can be corrosive.
- E10 10% Ethanol, 90% Gasoline
- E20 20% Ethanol, 80% Gasoline
- E85 85% Ethanol, 15% Gasoline
- E100 100% Ethanol
- B2 2% Bio diesel, 98% diesel (normally ULSD as above)
- B20 20% Bio diesel, 80% diesel (normally ULSD as above)
- B100 100% Bio diesel



Call Toll Free: 1-866-711-4673
International: +1-727-342-5086

**We Ship
World Wide**

Dixon Bayco Bottom Loading, Gasket and Seal Recommendations For Alternative Fuels

Dixon™ has completed several years of testing and engineering evaluation to ensure our products are compatible with all modern motor fuels in use today.

Dixon™ uses a proprietary seal compound that we refer to by the trade name Baylast™. Baylast™ has been tested both in the lab and field with excellent results. Baylast™ was developed so we could offer a single seal material compatible with the wide range of alternative fuels used today. Many Dixon Bayco products have been using Baylast™ seals to ensure compatibility with alternate fuels including E100 Ethanol, E85 Ethanol, B2 Bio diesel, B100 Bio diesel, Ultra Low Sulfur Diesel, and standard refined gasoline and diesel products with excellent results. Our tests indicate that Baylast™ performs well down to **-40°F**.

There are mechanical and temperature considerations that must be understood to determine which seal material is suitable for a specific application. A good example is PTFE, it has a very wide chemical compatibility range but is a poor seal material for mechanical reasons. Using FKM-B, or FKM GF is one solution to ensure compatibility, but FKM has limitations regarding mechanical suitability for seal applications with moving joints. One critical and well known limitation to FKM is cold temperature. FKM will become hard at low temperatures and seals with moving parts tend to weep liquid.

On the opposing page is our fuel compatibility chart which outlines our recommendation for each Dixon Bayco product and type of fuel.

Should you have any questions or need additional technical support, please call Dixon™ at: 800-355-1991.

SuperTanker™ Program

Bottom Load System problems keeping you awake? Our simple guarantee let's you rest easy.

Every last valve, vent, adapter, sensor . . . the complete Supertanker™ package.

Our Supertanker™ package includes reliable, high-performance bottom loading equipment from Dixon Bayco and Betts, plus something you really need - a three year warranty that covers materials and workmanship on every component from the overfill system to the manholes, and each valve, vent, adapter, coupling and cap. Everything except wear items such as seals and wear surfaces - where life expectancy is highly dependent upon the material being hauled.

And there's more: with Supertanker™ you get a level of service our competitors simply can't match. If there's a concern with how your new bottom load system works, we fix it, right now, no questions asked. We'll come on-site if that's what you need. And you always have access to our experienced engineering team, people so expert they'll even fix problems with the competitor's system!

Call your Dixon Bayco representative today at 800.355.1991, or visit www.supertankerweb.com. You'll get all the details, including an easy to use specification checklist. Just check off the equipment you need and tell your tank builder that you want Supertanker™.

Dixon Bayco

800 High Street, Chestertown, MD 21620 • ph 800.355.1991 • fx 800.283.4966

dixonvalve.com • customer service: 800.355.1991



GOODYEAR
GOODYEARBELTING.COM

Call Toll Free: 1-866-711-4673
International: +1-727-342-5086

**We Ship
World Wide**

Fuel Tanker Loading and Unloading

Petroleum Products

API Valves

Application:	Used for bottom loading and unloading of petroleum tankers, API valves are typically mounted to the piping below each tank compartment, using the built in 4" TTMA flange connection. Two styles are available: 1) Load only (without handle) which permits terminal loading only. Tanker unloading would be achieved through another tank connection. 2) Load/unload (with a handle) which permits both terminal loading, and fuel unloading through the valve.
Standards:	Manufactured to American Petroleum Institute standard API RP-1004, which allows for positive connection to drop adapters and rack couplers such as the Dixon Bayco 5300/5400 series rack coupler.
Materials:	Aluminum body, and handle *. Anodized Hard Coat Aluminum nose ring. Stainless steel hardware. Baylast™*, FKM* and PTFE Seals *. Nylon sight glass *. Acrylic full body sight glass.
Features & Benefits:	<ul style="list-style-type: none"> • Unique fluid flow sight level * • Ergonomically curved handle operates on a short 62° degree stroke (handle is removable on some models *) • Any required maintenance is simplified, Dixon Bayco API Valves can be completely rebuilt without the need to remove the valve from the tanker * • Nose ring is anodized hard coat aluminum, which in most applications will provide years of trouble free service. Nose ring can be rotated to provide a fresh connection surface. • Biofuel Compatible, up to E100 (100% Ethanol) * and B100 (100% Bio Diesel). For detailed fuel compatibility, please refer to the chart shown on page 4.

* Dependent upon part #, see part number list below for more details



Load/Unload Valves

Part #	Description	Overall Length	Fuel Compatibility
5204NG	Fixed handle with Baylast™ seals (no sight glass)	7"	Gasoline and diesel, up to E100 and B100 biofuels
5204NGC	Canadian API with Baylast™ seals (no sight glass)	7"	Gasoline and diesel, up to E100 and B100 biofuels
5204	Fixed handle, Baylast™ seals and sight glass	7"	Gasoline and diesel, up to E20 and B100 biofuels
NEW 5204P	Fixed handle, Baylast™ seals and sight glass, drilled / tapped boss	7"	Gasoline and diesel, up to E20 and B100 biofuels
5204C	Canadian API with Baylast™ seals and sight glass	7"	Gasoline and diesel, up to E20 and B100 biofuels
5204SNG	Fixed handle, Baylast™ seals and stainless steel spring (no sight glass)	7"	Crude oil, gasoline and diesel, up to E20 and B100 biofuels
5204TNG	Fixed handle with PTFE seals (no sight glass)	7"	B100 bio diesel
5204NGV	Fixed handle with FKM seals (no sight glass)	7"	Gasoline and diesel, up to B100 bio diesel
5204SFI	Fixed handle, Baylast™ seals and inline full body sight glass	8.81" *	Gasoline and diesel, up to E100 and B100 biofuels
NEW 5204SFI-P	Fixed handle, Baylast™ seals and inline full body sight glass, drilled / tapped	8.81" *	Gasoline and diesel, up to E100 and B100 biofuels

* Overall length of 5204SFI is the same as a 5204 API valve, gasket and 1¼" sight flow indicator combined

Load Only Valves

Part #	Description	Overall Length	Fuel Compatibility
5204LNG	Baylast™ seals (no sight glass)	7"	Gasoline and diesel, up to E100 and B100 biofuels
5204LSNG	Baylast™ seals (no sight glass) with stainless spring	7"	Crude oil, gasoline and diesel, up to E20 and B100 biofuels
5204L	Baylast™ seals and sight glass	7"	Gasoline and diesel, up to E20 and B100 biofuels



5204



5204SFI



5204L

Fuel Tanker Loading and Unloading

API Dust Caps



5205



5000-24



5000-25



5000-24L

Part #	Description
5205	Aluminum API cap with flat buna gasket, with nylon quick release lever
5000-24¹	Aluminum API cap with O-ring Baylast™ seal *, with brass cam arms
5000-25	Nylon API cap with flat buna seal, with plated steel padlockable roller lever
5000-24L	Aluminum API cap with O-ring Baylast™ seal *, with brass locking cam arms

* FKM seal available

See pages 72 and 73 for repair parts.

API Drop Adapters



4540



4540SG



4502



4540F



4504ASSM

Part #	Description	Fuel Compatibility
4530	API to 3" drop adapter, Baylast™ O-ring seal	Gasoline and diesel, up to E100 and B100 biofuels
4530SG	API to 3" drop adapter, Baylast™ flat gasket, in line sight glass	Gasoline and diesel, up to E100 and B100 biofuels
4540	API to 4" drop adapter, Baylast™ O-ring seal	Gasoline and diesel, up to E100 and B100 biofuels
4540V	API to 4" drop adapter, FKM O-ring seal	Gasoline and diesel, up to B100 bio diesel
4540SG	API to 4" drop adapter, Baylast™ flat gasket, one piece, inline sight glass	Gasoline and diesel, up to E100 and B100 biofuels
4502	API to 4" drop adapter, Buna-N seals, two piece design with sight glass	Gasoline and diesel, up to E100 and B100 biofuels
4540SGV	API to 4" drop adapter, FKM flat gasket, inline sight glass	Gasoline and diesel, up to B100 bio diesel
4540F	API to 4" drop coupler, Buna-N gasket	Gasoline and diesel, up to E100 and B100 biofuels
4502ASSM	API to 4" drop adapter, Baylast™ O-ring w/ sight glass, two piece design	Gasoline and diesel, up to E100 and B100 biofuels
4504ASSM	API to 4" drop coupler, Buna-N gasket w/ sight glass, two piece design	Gasoline and diesel, up to E100 and B100 biofuels

Gravity Drop Adapters



31440-225AL



41440-225AL



40447ST

Part #	Description	Fuel Compatibility
31440-225AL	4" API to 3" drop adapter with Buna-N flat gasket	Gasoline and diesel, up to E100 and B100 biofuels
41440-225AL	4" API to 4" drop adapter with Buna-N flat gasket	Gasoline and diesel, up to E100 and B100 biofuels
40447ST	Heavy duty chain	Gasoline and diesel, up to E100 and B100 biofuels

Fuel Tanker Loading and Unloading

TTMA Flanged Sight Flow Indicators

Features & Benefits:

- Due to the proprietary blending of petroleum products, Dixon™ recommends that the thermoplastic tubing and the gaskets be immersion tested in the product to be handled to ensure compatibility (not compatible with crude oil).
- Durable cast aluminum housing replaces competitions all acrylic sight glass commonly found on tank trucks
- Allows for visual identification of the fuel grade prior to opening the valve
- Works with tank truck flanged butterfly valves found on gasoline trucks
- Low cost sight glass tube can be easily replaced
- Rated to **150 PSI**



5200-SFI shown mounted on petroleum tank



5200-SFI

Part #	Description	Fuel Compatibility
5200-SFI-3	3" TTMA flange sight flow, 1¾" width, 3½" inside diameter	Gasoline and diesel, up to E100 and B100 biofuels
5200C-SFI-3¹	3" TTMA flange sight flow, 1¾" width, 3½" inside diameter, stainless retain ring	Gasoline and diesel, up to E100 and B100 biofuels, crude oil
5200-SFI	4" TTMA flange sight flow, 1¾" width, 4¾" inside diameter	Gasoline and diesel, up to E100 and B100 biofuels
5200C-SFI¹	4" TTMA flange sight flow, 1¾" width, 4¾" inside diameter, stainless retain ring	Gasoline and diesel, up to E100 and B100 biofuels, crude oil

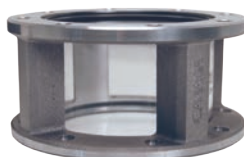
¹ Are compatible with crude oil.

Note: Maximum flange bolt torque is 200 in-lb (inch pounds)



Features & Benefits:

- Due to the proprietary blending of petroleum products, Dixon™ recommends that the thermoplastic tubing and the gaskets be immersion tested in the product to be handled to ensure compatibility (not compatible with crude oil).
- Allows for visual identification of the fuel grade prior to opening the valve
- Works with tank truck flanged butterfly valves found on gasoline trucks
- Larger ID 4¾" flow indicator allows tank truck flanged butterfly valves to connect to either end of the indicator
- Rated to **150 PSI**



Part #	Description	Fuel Compatibility
5201-SFI	4" TTMA flange sight flow, 3¾" width, 4¾" inside diameter	Gasoline and diesel, up to E100 and B100 biofuels
5201-SFI-3	3" TTMA flange sight flow, 3¾" width, 3½" inside diameter	Gasoline and diesel, up to E100 and B100 biofuels

Note: Maximum flange bolt torque is 200 in-lb (inch pounds)



Fuel Tanker

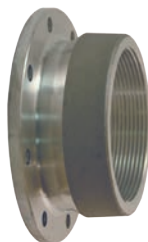
TTMA Flanges



TTF4AL-4MT



TTF4AL-4EMT



TTF4AL-4FT



TTF4AL



TTF400SP

Part #	Description	Fuel Compatibility
TTF3AL-3MT	3" TTMA flange x 3" male NPT, 2½" overall length	Gasoline and diesel, up to E100 and B100 biofuels
TTF4AL-3MT	4" TTMA flange x 3" male NPT, 2½" overall length	Gasoline and diesel, up to E100 and B100 biofuels
TTF4ALHC-3MT	4" TTMA flange x 3" male NPT, 2½" overall length, hardcoated	Gasoline and diesel, up to E100 and B100 biofuels
TTF4AL-3EMT	4" TTMA flange x 3" male NPT, 5½" overall length	Gasoline and diesel, up to E100 and B100 biofuels
TTF4AL-3FT	4" TTMA flange x 3" female NPT, 2½" overall length	Gasoline and diesel, up to E100 and B100 biofuels
TTF4AL-4MT	4" TTMA flange x 4" male NPT, 2½" overall length	Gasoline and diesel, up to E100 and B100 biofuels
TTF4ALHC-4MT	4" TTMA flange x 4" male NPT, 2½" overall length, hardcoated	Gasoline and diesel, up to E100 and B100 biofuels
TTF4AL-4EMT	4" TTMA flange x 4" male NPT, 5½" overall length	Gasoline and diesel, up to E100 and B100 biofuels
TTF4AL-4FT	4" TTMA flange x 4" female NPT, 2½" overall length	Gasoline and diesel, up to E100 and B100 biofuels
TTF3AL	3" TTMA butt weld on flange	Gasoline and diesel, up to E100 and B100 biofuels
TTF4AL	4" TTMA butt weld on flange	Gasoline and diesel, up to E100 and B100 biofuels
TTF400SP	4" TTMA socket weld on flange	Gasoline and diesel, up to E100 and B100 biofuels

See page 10 for TTMA flange gaskets

TTMA Flange x Cam and Groove



400-ALT-AL



4022ALTAL



400-DLT-AL



4022DLTAL

Part #	Description	Fuel Compatibility
300-ALT-AL	3" TTMA flange x 3" cam and groove adapter (straight)	Gasoline and diesel, up to E100 and B100 biofuels
3040ALTAL	3" TTMA flange x 4" cam and groove adapter (straight)	Gasoline and diesel, up to E100 and B100 biofuels
400-ALT-AL	4" TTMA flange x 4" cam and groove adapter (straight)	Gasoline and diesel, up to E100 and B100 biofuels
40022ALTAL	4" TTMA flange x 4" cam and groove adapter (22½°)	Gasoline and diesel, up to E100 and B100 biofuels
600-ALT-AL	6" TTMA flange x 6" cam and groove adapter (straight)	Gasoline and diesel, up to E100 and B100 biofuels
300-DLT-AL	3" TTMA flange x 3" cam and groove coupler (straight)	Gasoline and diesel, up to E85 and B20 biofuels
3040DLTAL	3" TTMA flange x 4" cam and groove coupler (straight)	Gasoline and diesel, up to E85 and B20 biofuels
400-DLT-AL	4" TTMA flange x 4" cam and groove coupler (straight)	Gasoline and diesel, up to E85 and B20 biofuels
40022DLTAL	4" TTMA flange x 4" cam and groove coupler (22½°)	Gasoline and diesel, up to E85 and B20 biofuels
600-DLT-AL	6" TTMA flange x 6" cam and groove coupler (straight)	Gasoline and diesel, up to E85 and B20 biofuels

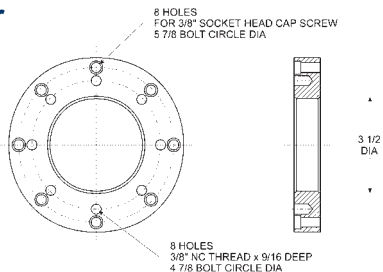
See page 10 for TTMA flange gaskets

Fuel Tanker

TTMA Flange Reducer



4443

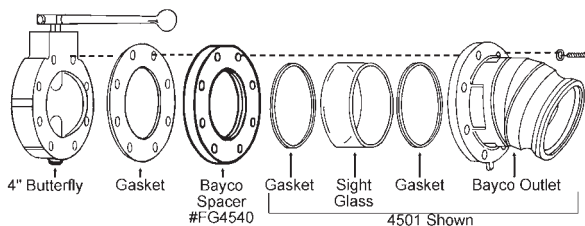


Part #	Description	Fuel Compatibility
4443	4" TTMA x 3" TTMA reducer flange	Gasoline and diesel, up to E100 and B100 biofuels

TTMA Butterfly Valve Spacer



FG4540



Part #	Description	Fuel Compatibility
FG4540	4" TTMA flange spacer	Gasoline and diesel, up to E100 and B100 biofuels

API and TTMA Flange Gaskets



Part #	Size	Description	OD	ID	Thickness	Bolt Circle	Fuel Compatibility
300GTTFCB	3"	TTMA - Cork/Buna	5-5/8"	3 1/2"	1/8"	4-7/8"	Gasoline and diesel, up to E10 and B2 biofuels
300GTTFBL	3"	TTMA - Baylast™	5-5/8"	3-5/8"	1/8"	4-7/8"	Gasoline and diesel, up to E10 and B2 biofuels
300GTTFK	3"	TTMA Klinger nylon	5-5/8"	3 1/2"	1/8"	4-7/8"	Gasoline and diesel, up to E10 and B2 biofuels
40321TF	3"	TTMA - PTFE with soft fiber core	5-29/32"	3 1/2"	3/32"	4-7/8"	Gasoline and diesel, up to E100 and B100 biofuels
40364TF	3"	API Sump - PTFE with soft fiber core	7 1/4"	5"	5/32"	6 1/4"	Gasoline and diesel, up to E100 and B100 biofuels
40364BL	3"	API Sump - Baylast™	7 1/4"	5"	1/8"	6 1/4"	Gasoline and diesel, up to E10 and B2 biofuels
400GTTFCB	4"	TTMA - Cork/Buna	6-5/8"	4-9/16"	1/8"	5-7/8"	Gasoline and diesel, up to E10 and B2 biofuels
400GTTFBL	4"	TTMA - Baylast™	6-5/8"	4-5/8"	1/8"	5-7/8"	Gasoline and diesel, up to E10 and B2 biofuels
400GTTFK	4"	TTMA Klinger nylon	6-5/8"	4-9/16"	1/8"	5-7/8"	Gasoline and diesel, up to E100 and B100 biofuels
40322TF	4"	TTMA - PTFE with soft fiber core	6-7/8"	4-5/8"	3/32"	5-7/8"	Gasoline and diesel, up to E100 and B100 biofuels
40323TF	4"	API Sump - PTFE with soft fiber core	8-3/8"	5-7/8"	5/32"	7 1/4"	Gasoline and diesel, up to E100 and B100 biofuels

NEW

Fuel Delivery

6200 and 6500 Series- Fuel Delivery Elbows

Petroleum
Products

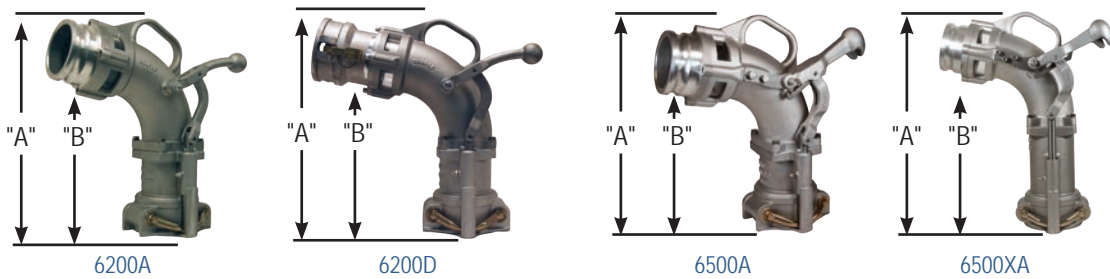
Features & Benefits:

6200 Series:

- Available in standard or tall heights to accommodate deep fill boxes
- Rugged modular cast aluminum construction
- Most parts are common throughout the Bayco elbow line, making any necessary maintenance a breeze.
- Grease nipple enables the greasing of the lever stem, and acetal bushings help keep everything moving smoothly, even in the harshest of conditions.
- Bolt on inlets allow the inlet to be changed without having to worry about galling of threaded inlets.
- Ball handle lever enables the operator to easily and positively engage the solid bronze locking arms, onto the underground adapter.
- Biofuel compatible up to E100 (100% Ethanol) and B20 (20% Bio Diesel). For detailed fuel compatibility, please refer to the chart shown on page 4.

6500 Series: Features all of the benefits of the 6200 series plus-

- Heavy duty bolt on arm attachment plate increases the strength of the lever pivot. There are no impact susceptible pivot bolts, or casting bosses to break.
- Arm hinge points use a double yoke design, which increases the arm strength.
- Built in heavy duty, locking mechanism prevents accidental elbow disconnections while the elbow is in service. No need for the operator to engage the locking mechanism, just move the handle to the closed position and the lock automatically engages. Releasing the lock is equally as easy, just gripping the handle and lifting. The locking mechanism has lots of free clearance so will not be affected by dirt, ice or snow. (Elbow disconnections can occur on other elbow designs, from either operators bumping the release mechanism, or from a hydraulic surge when the underground storage tank overfill valve slams shut.)
- Ergonomic handle can be mounted on either side of the elbow.



Part #	Description	"A"	"B"	Fuel Compatibility
6200	Standard height elbow only, without inlet connection	17¾"	10-7/8"	Gasoline and diesel, up to E100 & B20 biofuels
6200C	Standard height elbow with 3" adapter inlet	17¾"	10-7/8"	Gasoline and diesel, up to E100 & B20 biofuels
6200A	Standard height elbow with 4" adapter inlet	17¾"	10-7/8"	Gasoline and diesel, up to E100 & B20 biofuels
6200B	Standard height elbow with 3" coupler inlet	17¾"	10-7/8"	Gasoline and diesel, up to E100 & B20 biofuels
6200D	Standard height elbow with 4" coupler inlet	17¾"	10-7/8"	Gasoline and diesel, up to E100 & B20 biofuels
6200T	Elbow with anti-spill sleeve without inlet connection	17¾"	10-7/8"	Gasoline and diesel, up to E100 & B20 biofuels
6200AT	Elbow with 4" adapter inlet and anti-spill sleeve	17¾"	10-7/8"	Gasoline and diesel, up to E100 & B20 biofuels
6200X	Tall height elbow only, without inlet connection	21"	13¾"	Gasoline and diesel, up to E100 & B20 biofuels
6200XC	Tall height elbow with 3" adapter inlet	21"	13¾"	Gasoline and diesel, up to E100 & B20 biofuels
6200XA	Tall height elbow with 4" adapter inlet	21"	13¾"	Gasoline and diesel, up to E100 & B20 biofuels
6200XB	Tall height elbow with 3" coupler inlet	21"	13¾"	Gasoline and diesel, up to E100 & B20 biofuels
6200XD	Tall height elbow with 4" coupler inlet	21"	13¾"	Gasoline and diesel, up to E100 & B20 biofuels
6200XT	Tall elbow with anti-spill sleeve without inlet connection	21"	13¾"	Gasoline and diesel, up to E100 & B20 biofuels
6200XAT	Tall elbow with 4" adapter inlet and anti-spill sleeve	21"	13¾"	Gasoline and diesel, up to E100 & B20 biofuels
6500	Standard height full feat. elbow only, without inlet connection	17¾"	10-7/8"	Gasoline and diesel, up to E100 & B20 biofuels
6500C	Standard height full feat. elbow with 3" adapter inlet	17¾"	10-7/8"	Gasoline and diesel, up to E100 & B20 biofuels
6500A	Standard height full feat. elbow with 4" adapter inlet	17¾"	10-7/8"	Gasoline and diesel, up to E100 & B20 biofuels
6500B	Standard height full feat. elbow with 3" coupler inlet	17¾"	10-7/8"	Gasoline and diesel, up to E100 & B20 biofuels
6500D	Standard height full feat. elbow with 4" coupler inlet	17¾"	10-7/8"	Gasoline and diesel, up to E100 & B20 biofuels
6500T	Elbow with locking handle and anti-spill sleeve without inlet connection	17¾"	10-7/8"	Gasoline and diesel, up to E100 & B20 biofuels
6500AT	Elbow with locking handle, 4" adapter inlet and anti-spill sleeve	17¾"	10-7/8"	Gasoline and diesel, up to E100 & B20 biofuels
6500X	Tall height full feat. elbow only, without inlet connection	21"	13¾"	Gasoline and diesel, up to E100 & B20 biofuels
6500XC	Tall height full feat. elbow with 3" adapter inlet	21"	13¾"	Gasoline and diesel, up to E100 & B20 biofuels
6500XA	Tall height full feat. elbow with 4" adapter inlet	21"	13¾"	Gasoline and diesel, up to E100 & B20 biofuels
6500XB	Tall height full feat. elbow with 3" coupler inlet	21"	13¾"	Gasoline and diesel, up to E100 & B20 biofuels
6500XD	Tall height full feat. elbow with 4" coupler inlet	21"	13¾"	Gasoline and diesel, up to E100 & B20 biofuels
6500XT	Tall height full feat. elbow with locking handle, no inlet, with anti-spill sleeve	21"	13¾"	Gasoline and diesel, up to E100 & B20 biofuels
6500XAT	Tall elbow with locking handle, 4" adapter inlet and anti-spill sleeve	21"	13¾"	Gasoline and diesel, up to E100 & B20 biofuels

Elbow inlet adapters are shown on page 12.

Fuel Delivery

Petroleum
Products

Fuel Delivery Connectors Straight Drop Fuel Delivery Connectors



6304NPT

Part #	Description	Overall Height	Fuel Compatibility
6303	Straight connector with 3" adapter inlet	17-5/8"	Gasoline and diesel, up to E100 and B20 biofuels
6304	Straight connector with 4" adapter inlet	16-3/16"	Gasoline and diesel, up to E100 and B20 biofuels
6303NPT	Straight connector with 3" male NPT inlet	19-3/4"	Gasoline and diesel, up to E100 and B20 biofuels
6304NPT	Straight connector with 4" male NPT inlet	19-3/16"	Gasoline and diesel, up to E100 and B20 biofuels

See page 77 for repair kits and replacement parts.

Fuel Delivery Elbow Inlets and Anti-Spill Tubes



6000-14



6000-17



6000-20



6200-17

Part #	Description	Fuel Compatibility
6000-16	3" adapter inlet	Gasoline and diesel, up to E100 and B20 biofuels
6000-17	4" adapter inlet	Gasoline and diesel, up to E100 and B20 biofuels
6000-15	3" coupler inlet	Gasoline and diesel, up to E100 and B20 biofuels
6000-14	4" coupler inlet	Gasoline and diesel, up to E100 and B20 biofuels
6000-20	4" female NPT inlet	Gasoline and diesel, up to E100 and B20 biofuels
6000F	Inline screen for drop elbows	Gasoline and diesel, up to E100 and B20 biofuels
6200-17	Anti-spill tube for 6200 and 6500	Gasoline and diesel, up to E100 and B20 biofuels
6200X-17	Tall anti-spill tube for 6200 and 6500	Gasoline and diesel, up to E100 and B20 biofuels

These inlets are for 6000, 6200 and 6500 series fuel delivery elbows only, for the 6400, series coaxial elbow inlets, refer to the inlets shown on page 13.

Side Seal Fuel Delivery Elbows



6000ASC



6000ASAG

NEW

Part #	Description	Fuel Compatibility
6000AS	Side seal elbow without inlet connection	Gasoline and diesel, up to E100 & B20 biofuels
6000ASC	Side seal elbow with 3" adapter inlet	Gasoline and diesel, up to E100 & B20 biofuels
6000ASA	Side seal elbow with 4" adapter inlet	Gasoline and diesel, up to E100 & B20 biofuels
6000ASB	Side seal elbow with 3" coupler inlet	Gasoline and diesel, up to E100 & B20 biofuels
6000ASD	Side seal elbow with 4" coupler inlet	Gasoline and diesel, up to E100 & B20 biofuels
6000AST	Side seal elbow without inlet connection, with anti-spill sleeve.	Gasoline and diesel, up to E100 & B20 biofuels
6000ASAG	Side seal elbow, safety coated green, 4" male adapter inlet	Gasoline and diesel, up to E100 & B20 biofuels
6000ASAT	Side seal elbow with 4" adapter inlet, with anti-spill sleeve.	Gasoline and diesel, up to E100 & B20 biofuels
6000ASAL	Side seal elbow with 4" adapter inlet, with locking ring.	Gasoline and diesel, up to E100 & B20 biofuels
6000ASR	Optional add on locking ring. Prevents	Gasoline and diesel, up to E100 &

Fuel Delivery

Side Seal to Top Seal Adapter

Part #	Description	Fuel Compatibility
6000-SSA	Top seal to side seal connection adapter	Gasoline and diesel, up to E100 and B20 biofuels



6000SSA

Petroleum
Products

Elbow Height Extensions



6000EXT



spacer kits shown assembled to elbows

Part #	Description	Fuel Compatibility
6000EXT	3" height extension kit for 6200, 6500, VR6000 and VR6500 elbows. Kit includes: body and stem extensions, 4 stainless steel nuts and bolts, and stem pin.	Gasoline and diesel, up to E100 and B20 biofuels
6400EXT	3" height extension kit for 6400 co-axial elbows. Kit includes: body and stem extensions, 4 stainless steel nuts and bolts, stem pin and replacement vapor tube.	Gasoline and diesel, up to E100 and B20 biofuels

Tank Cabinet "Dummy" Weld-on Adapters

Part #	Description
AL4051-BORE	4" fuel delivery - cabinet weld-on adapter blank
400AWSPAL	4" vapor recovery - cabinet weld-on adapter blank



AL4051-BORE



400AWSPAL

Coaxial Elbow-Replacement Fuel Inlets and Vapor Outlets



6000-17C



6000-26C



6000-14C

Part #	Description	Fuel Compatibility
6000-16C	3" adapter fuel inlet	Gasoline and diesel, up to E100 and B20 biofuels
6000-17C	4" adapter fuel inlet	Gasoline and diesel, up to E100 and B20 biofuels
6000-15C	3" coupler fuel inlet	Gasoline and diesel, up to E100 and B20 biofuels
6000-14C	4" coupler fuel inlet	Gasoline and diesel, up to E100 and B20 biofuels
6400-4	3" adapter vapor outlet	Gasoline and diesel, up to E100 and B20 biofuels
6000-26C	3" male NPT vapor outlet	Gasoline and diesel, up to E100 and B20 biofuels

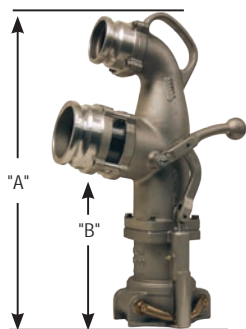
Fuel Delivery/Vapor Recovery

Single Point Coaxial - Fuel Delivery/Vapor Recovery Elbows

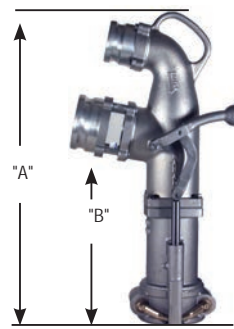
Petroleum
Products

Features & Benefits:

- Available in standard or tall heights to accommodate deep fill boxes
- Rugged modular cast aluminum construction
- Many parts are common throughout the Bayco elbow line, making any necessary maintenance a breeze.
- Grease nipple enables the greasing of the lever stem, and acetal bushings help keep everything moving smoothly, even in the harshest of conditions.
- Bolt on inlets allow the inlet to be changed without having to worry about galling of threaded inlets. See below for replacement inlets (Note: Coaxial inlets are not interchangeable with other Bayco elbow inlets.)
- Ball handle lever enables the operator to easily and positively engage the solid bronze locking arms, onto the underground adapter.
- Top connection is the vapor outlet; lower connection is the fuel delivery inlet.
- Biofuel compatible up to E100 (100% Ethanol) and B20 (20% bio diesel). For detailed fuel compatibility, please refer to the chart shown on page 4.



6400



6400X

Part #	Description	"A" Overall Height	"B" Ground Clearance	Fuel Compatibility
6430	Standard height elbow with 3" adapter fuel inlet, 3" adapter vapor outlet	23 ³ / ₄ "	11 ³ / ₄ "	Gasoline and diesel, up to E100 and B20 biofuels
6430F	Standard height elbow with 3" coupler fuel inlet, 3" adapter vapor outlet	23 ³ / ₄ "	11 ³ / ₄ "	Gasoline and diesel, up to E100 and B20 biofuels
6400	Standard height elbow with 4" adapter fuel inlet, 3" adapter vapor outlet	23 ³ / ₄ "	11 ³ / ₄ "	Gasoline and diesel, up to E100 and B20 biofuels
6400F	Standard height elbow with 4" coupler fuel inlet, 3" adapter vapor outlet	23 ³ / ₄ "	11 ³ / ₄ "	Gasoline and diesel, up to E100 and B20 biofuels
6400FNPT	Standard height elbow with 4" coupler fuel inlet, 3" male NPT vapor outlet	23 ³ / ₄ "	11 ³ / ₄ "	Gasoline and diesel, up to E100 and B20 biofuels
6430X	Tall height elbow with 3" adapter fuel inlet, 3" adapter vapor outlet	26 ³ / ₄ "	14 ³ / ₄ "	Gasoline and diesel, up to E100 and B20 biofuels
6430XF	Tall height elbow with 3" coupler fuel inlet, 3" adapter vapor outlet	26 ³ / ₄ "	14 ³ / ₄ "	Gasoline and diesel, up to E100 and B20 biofuels
6400X	Tall height elbow with 4" adapter fuel inlet, 3" adapter vapor outlet	26 ³ / ₄ "	14 ³ / ₄ "	Gasoline and diesel, up to E100 and B20 biofuels
6400XF	Tall height elbow with 4" coupler fuel inlet, 3" adapter vapor outlet	26 ³ / ₄ "	14 ³ / ₄ "	Gasoline and diesel, up to E100 and B20 biofuels
6400XFNPT	Tall height elbow with 4" coupler fuel inlet, 3" male NPT vapor outlet	26 ³ / ₄ "	14 ³ / ₄ "	Gasoline and diesel, up to E100 and B20 biofuels
6000-16C	3" adapter fuel inlet	-	-	Gasoline and diesel, up to E100 and B20 biofuels
6000-17C	4" adapter fuel inlet	-	-	Gasoline and diesel, up to E100 and B20 biofuels
6000-15C	3" adapter fuel inlet	-	-	Gasoline and diesel, up to E100 and B20 biofuels
6000-14C	4" adapter fuel inlet	-	-	Gasoline and diesel, up to E100 and B20 biofuels
6400-4	3" adapter vapor outlet	-	-	Gasoline and diesel, up to E100 and B20 biofuels
6000-26C	3" male NPT vapor outlet	-	-	Gasoline and diesel, up to E100 and B20 biofuels

Fuel Delivery/Vapor Recovery

Fuel Station, In-Ground Tank Adapters and Caps

Petroleum
Products

Application:	When fuel is delivered to the fuel station, the fuel delivery and vapor recovery elbows, are connected to the in-ground tank adapters. There are two types that do not interchange, 1) is for fuel delivery using either standard or Coaxial delivery elbows. 2) is for the vapor recovery elbows. The delivery adapter is threaded onto the in-ground tank fuel inlet, and the vapor adapter is threaded to the in-ground tank vapor outlet connection. To prevent contamination and fuel evaporation, the tank adapters are capped with T handle caps when not in use.
Standards:	Manufactured with 4" pipe threads to connect to in-ground fuel station tanks, and then provide an interface to connect the top seal fuel drop or vapor recovery elbows.
Materials:	Adapters are either produced from bronze * or Bayloy™ *. Caps are produced in aluminum *, bronze * or nylon *, Buna seals
Features & Benefits:	<p>Delivery Adapters (top seal):</p> <ul style="list-style-type: none"> • Available with 4" NPS or 4" NPT threads, with 3½" or 2-¾" heights • Rugged bronze or Bayloy™ cast construction. <p>Delivery Adapter Caps</p> <ul style="list-style-type: none"> • Designed to fit fuel delivery adapters only • Rugged durable construction aluminum or bronze bodies, with bronze push-pull T handle • Protect the delivery adapter, and prevent fuel contamination evaporation and tampering • Pad lockable <p>Vapor Adapters</p> <ul style="list-style-type: none"> • Rugged bronze or Bayloy™ cast construction • With outlet poppet valves to prevent fuel vapors from escaping. Poppet opens when vapor elbow is connected • Can be used as vapor valve on a fuel tanker (does not have mount for air interlock) <p>Vapor Adapter Caps</p> <ul style="list-style-type: none"> • Designed to fit fuel vapor adapters and truck mounted vapor valves • Colored orange to signify vapor connection. • Durable and light weight construction aluminum or nylon bodies, with push-pull T handle • Protect the vapor adapter, and prevent fuel contamination and tampering. • Pad lockable <p>Biofuel compatible, up to E100 (100% Ethanol) and B20 (20% Bio Diesel). For detailed fuel compatibility, please refer to the chart shown on page 4.</p>

* Dependent upon part #, see part number list below for more details



BZ4051



BZ4051S



BSS4051



SA4050AL

Fuel Delivery

Part #	Description
BSS4051	Bronze fuel delivery tank adapter, 4" female NPT, 1 21/32" height, side seal
BZ4051	Bronze fuel delivery tank adapter, 4" female NPT, 3½" height, top seal
BY4051	Bayloy™ fuel delivery tank adapter, 4" female NPT, 3½" height, top seal
BZ4051S	Bronze fuel delivery tank adapter, 4" female NPS, 2¾" height, top seal
SA4050AL	Aluminum fuel delivery adapter cap, bronze push-pull T handle, Buna gasket
SA4050BZ	Bronze fuel delivery adapter cap, bronze push-pull T handle, Buna gasket
TL4070BZ	Bronze fuel delivery adapter cap, bronze twin lever handle

NEW

Vapor Recovery



VR4086



VR4050AL



VR4050PL

Part #	Description
VR4086	Bronze vapor recovery tank adapter, 4" FNPT, 3⅝" height, with vapor poppet
VR4086-BY	Bayloy™ vapor recovery tank adapter, 4" FNPT, 3⅝" height, with vapor poppet
VR4050AL	Aluminum vapor recovery cap, colored vapor orange, push-pull T handle, buna gasket
VR4050PL	Nylon vapor recovery cap, colored vapor orange, push-pull T handle, Buna gasket
VR4050ALC	Aluminum vapor recovery cap, colored vapor orange, push-pull T handle, Buna gasket, with chain
VR4050PLC	Nylon vapor recovery cap, colored vapor orange, push-pull T handle, Buna gasket, with chain

See pages 86 and 88 for repair kits and replacement parts.

Product instruction sheets and technical data can be viewed on our website at

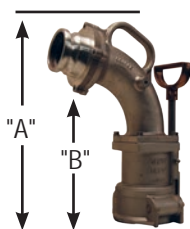
Fuel Delivery/Vapor Recovery

Dual Point - Vapor Recovery Elbows

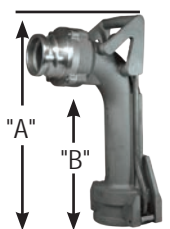
Petroleum
Products

Application:	In many areas fuel stations are equipped with dual point tank connections, one connection is for the fuel delivery, and the other connection is for the vapor recovery connection. The vapor elbow bottom connection is connected to the fuel station on a ground tank vapor adapter and the top connection to the vapor hose, which returns the fuel vapors back to the tanker.
Standards:	Manufactured to connect to in ground fuel station vapor adapters and cam and groove vapor hose connections.
Materials:	Aluminum body and handle, bronze locking arms *, stainless steel hardware, Baylast™ and Buna seals, and acetal bushings.
Features & Benefits:	<ul style="list-style-type: none"> • Rugged modular cast aluminum construction • Many parts are common throughout the Bayco elbow line, making any necessary maintenance a breeze • Grease nipple enables the greasing of the lever stem, and acetal bushings help keep everything moving smoothly, even in the harshest of conditions. • Inlet probes are standard, and are available with or without outlet poppet valves • Bolt on outlets allow the outlet to be changed without having to worry about galling of threads. See below for replacement outlets. • VR6100 Series features a simple to connect push on style connection • VR6200 and VR6500 series features an ergonomic ball handle lever, which on the 6500 series can be mounted either on the left or right side. • VR6500 series features heavy duty bolt on arm attachment plate increases the strength of the lever pivot. There are no impact susceptible pivot bolts, or casting bosses to break. • VR6500 series features, arm hinge points use a double yoke design which increases the arm strength • Biofuel vapor compatible, up to E85 (85% Ethanol) and B20 (20% bio diesel). For detailed fuel compatibility, please refer to the chart shown on page 4.

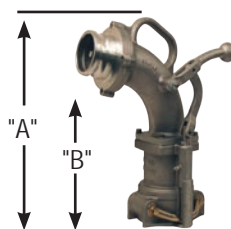
* Dependent upon part #, see part number list below for more details



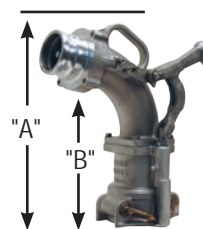
VR6000NP



VR6100



VR6200



VR6500

Part #	Description	Outlet Poppet Valve	"A" Overall Height	"B" Ground Clearance	Vapor Compatibility
VR6000NP	D-handle, 3" adapter outlet	No	17¼"	10¾"	Gasoline and diesel, up to E85 & B20 biofuels
VR6100NP	Push-on style, 3" adapter outlet	No	18¾"	12½"	Gasoline and diesel, up to E85 & B20 biofuels
VR6200NPBU	Ball lever handle, without adapter outlet	No	17¼"	10¾"	Gasoline and diesel, up to E85 & B20 biofuels
VR6200	Ball lever handle, 3" adapter outlet	Yes	17¼"	10¾"	Gasoline and diesel, up to E85 & B20 biofuels
VR6200NP	Ball lever handle, 3" adapter outlet	No	17¼"	10¾"	Gasoline and diesel, up to E85 & B20 biofuels
VR6200PNP	Ball lever handle, 3" adapter outlet with height extension, see page 13 for more info.	No	20¼"	13¾"	Gasoline and diesel, up to E85 & B20 biofuels
VR6200ANP	Ball lever handle, 4" adapter outlet	No	17¼"	10¾"	Gasoline and diesel, up to E85 & B20 biofuels
VR6200NPB	Ball lever handle, 3" coupler outlet	No	17¼"	10¾"	Gasoline and diesel, up to E85 & B20 biofuels
VR6200NPBP	Ball lever handle, 3" coupler outlet with height extension, see page 13 for more info	No	20¼"	13¾"	Gasoline and diesel, up to E85 & B20 biofuels
VR6200NPDP	Ball lever handle, 4" coupler outlet with height extension, see page 13 for more info	No	20¼"	13¾"	Gasoline and diesel, up to E85 & B20 biofuels
VR6500	Heavy duty ball lever handle, 3" adapter outlet	Yes	17¼"	11¼"	Gasoline and diesel, up to E85 & B20 biofuels
VR6500NP	Heavy duty ball lever handle, 3" adapter outlet	No	17¼"	11¼"	Gasoline and diesel, up to E85 & B20 biofuels
VR6500LPNP	Heavy duty ball lever locking handle, 3" adapter outlet	No	20¼"	13¾"	Gasoline and diesel, up to E85 & B20 biofuels
VR6000-6	Replacement 3" adapter outlet, for elbows with or without poppets	-	-	-	Gasoline and diesel, up to E100 & B20 biofuels
6000-17	Replacement 4" adapter outlet, for elbows without poppets. Requires liquid sealant to seal to elbow body.	-	-	-	Gasoline and diesel, up to E100 & B20 biofuels
6000-15	Replacement 3" coupler outlet, for elbows without poppets. Requires liquid sealant to seal to elbow body.	-	-	-	Gasoline and diesel, up to E100 & B20 biofuels
6000-14	Replacement 4" coupler outlet, for elbows without poppets. Requires liquid sealant to seal to elbow body.	-	-	-	Gasoline and diesel, up to E100 & B20 biofuels

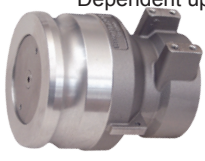
Fuel Vapor Recovery Vapor Return Valves

Standards:	Manufactured to connect to vapor hose couplings
Materials:	Aluminum body and buna seals, nylon * or acrylic * sight glass if equipped
Features & Benefits:	<ul style="list-style-type: none"> • Rugged cast aluminum construction • Variety of tank connections to suit any application, including 4" TTMA flange, 3" and 4" Female NPT and 4" female NPS • Air interlock mounting pad. (VR4000 requires 5000AIV, other models can use the 5000AI, 5000AIS or 5000AIST interlock valves) • VR4000 is a bulb design which allows for maximum vapor flow, also features 2 large acrylic sight glasses and a drain plug. • Available with or without poppets. Poppeted versions prevent vapor from escaping from the tanker. • Easy seal replacement while still on the tanker • Biofuel vapor compatible, up to E100 (100% Ethanol) and B20 (20% bio diesel). For detailed fuel compatibility, please refer to the chart shown on page 4.

* Dependent upon part #, see part number list below for more details



VR4000



VR3100



VR4100



VR4100F



VR4100F-SFI

Part #	Adapter Size	Tanker Connection	Inlet Poppet Valve	Sight Glass	Description	Vapor Compatibility
VR3100	4"	3" female NPT	Yes	No	Vapor valve, low profile design	Gasoline and diesel, up to E100 & B20 biofuels
VR3100NP	4"	3" female NPT	No	No	Vapor valve, low profile design	Gasoline and diesel, up to E100 & B20 biofuels
VR4100	4"	4" female NPT	Yes	No	Vapor valve, low profile design	Gasoline and diesel, up to E100 & B20 biofuels
VR4100NP	4"	4" female NPT	No	No	Vapor valve, low profile design	Gasoline and diesel, up to E100 & B20 biofuels
VR4100S	4"	4" female NPS	Yes	No	Vapor valve, low profile design	Gasoline and diesel, up to E100 & B20 biofuels
VR4100NPS	4"	4" female NPS	No	No	Vapor valve, low profile design	Gasoline and diesel, up to E100 & B20 biofuels
VR4100F	4"	4" TTMA Flange	Yes	Yes	Vapor valve, low profile design	Gasoline and diesel, up to E100 & B20 biofuels
VR4100FNG	4"	4" TTMA Flange	Yes	No	Vapor valve, low profile design	Gasoline and diesel, up to E100 & B20 biofuels
VR4100F-SFI	4"	4" TTMA Flange	Yes	Yes	Vapor valve, low profile design	Gasoline and diesel, up to E100 & B20 biofuels
VR4100F-NGNP	4"	4" TTMA Flange	No	No	Vapor valve, low profile design	Gasoline and diesel, up to E100 & B20 biofuels
VR4000	4"	4" TTMA Flange	Yes	Yes	Bulb design for maximum flow, (if required use 5000AIV interlock valve)	Gasoline and diesel, up to E100 & B20 biofuels

Orange Vapor Caps

Part #	Description	Vapor Compatibility
VR4050AL	Aluminum vapor recovery adapter cap, colored vapor orange, push-pull T handle, Buna gasket	Gasoline and diesel, up to E100 & B20 biofuels
VR4050PL	Nylon vapor recovery adapter cap, colored vapor orange, push-pull T handle, Buna gasket	Gasoline and diesel, up to E100 & B20 biofuels
VR4050ALC	Aluminum vapor recovery adapter cap, colored vapor orange, push-pull T handle, Buna gasket, with chain	Gasoline and diesel, up to E100 & B20 biofuels
VR4050PLC	Nylon vapor recovery adapter cap, colored vapor orange, push-pull T handle, Buna gasket, with chain	Gasoline and diesel, up to E100 & B20 biofuels

Vapor Hose Couplings

Part #	Coupler Size	Connection Type & Size	Poppet Valve	Probe	Vapor Compatibility
VRC3000AL	3"	3" hose	No	Yes	Gasoline and diesel, up to E100 and B20 biofuels
VR4030CS-AL ¹	4"	3" hose	Yes	Yes	Gasoline and diesel, up to E100 and B20 biofuels
VR4040CS-AL	4"	4" hose	Yes	Yes	Gasoline and diesel, up to E100 and B20 biofuels
VR4040CS-4MNPT	4"	4" male NPT	Yes	Yes	Gasoline and diesel, up to E100 and B20 biofuels
4020-CVR-AL	4"	2" hose	No	Yes	Gasoline and diesel, up to E100 and B20 biofuels
4030-CVR-AL	4"	3" hose	No	Yes	Gasoline and diesel, up to E100 and B20 biofuels
400-CVR-AL	4"	4" hose	No	Yes	Gasoline and diesel, up to E100 and B20 biofuels
4030-DVR-AL	4"	3" female NPT	No	Yes	Gasoline and diesel, up to E100 and B20 biofuels
400-DVR-AL	4"	4" female NPT	No	Yes	Gasoline and diesel, up to E100 and B20 biofuels
4030-DAVR-AL	4"	3" cam & groove adapter	No	Yes	Gasoline and diesel, up to E100 and B20 biofuels
400-DDVR-AL	4"	4" cam & groove coupler	No	Yes	Gasoline and diesel, up to E100 and B20 biofuels



VR4030CS-AL



NEW

Fuel Vapor Recovery

Sequential Vapor Vents

Features & Benefits:

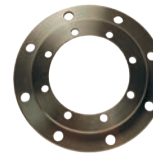
- Available for either 16" or 20" manholes
- Can be installed to open in sequence with another pneumatically controlled device such as the emergency valve, or open independently by simply plugging the lower of the 2 ports (use a 1/4" male NPT plug).
- Flange adapter available to adapt 3" TTMA (VR6035SQ) version to a Parker style vent
- Rugged cast aluminum construction
- Any necessary maintenance is easy to perform
- Biofuel vapor compatible up to E100 (100% Ethanol) and B100 (100% bio diesel). For detailed fuel compatibility, please refer to the chart shown on page 4.



VR6030SQ



VR6035SQ



40193AL

Part #	Description	Vapor Compatibility
VR6030SQ	For 16" manhole, with threaded mounting ring	Gasoline and diesel, up to E100 and B100 biofuels
VR6035SQ	For 20" manhole, with 3" TTMA flange	Gasoline and diesel, up to E100 and B100 biofuels
40193AL	VR6035SQ adapter flange for Parker style vents	Gasoline and diesel, up to E100 and B100 biofuels

See page 10 for TTMA flange gaskets.

Inbreathing and Outbreathing Vents



VRP3500 / VRP3600

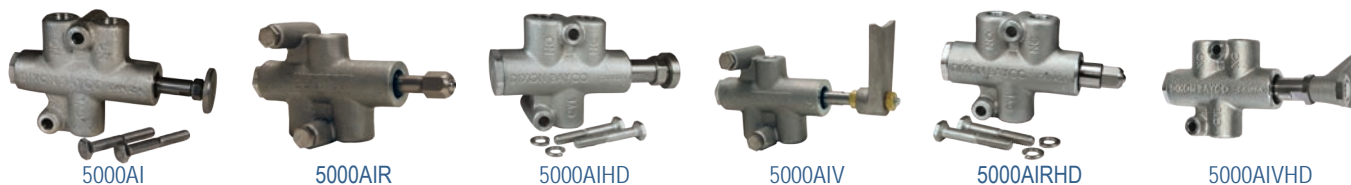


VRV3501

Part #	Description	Vapor Compatibility
VRP3500	Outbreathing, opens at no greater than 1 PSI (MC306)	Gasoline and diesel, up to E100 and B100 biofuels
VRP3600	Outbreathing, opens at no less than 1 PSI (DOT406)	Gasoline and diesel, up to E100 and B100 biofuels
VRV3501	Inbreathing, opens at 1.5" Hg (vacuum)	Gasoline and diesel, up to E100 and B100 biofuels

Fuel Vapor Recovery

Air Interlock Valves Standard Air Interlock Valves



Part #	Description
5000AI	1" button plunger pneumatic interlock, Baylast™ seals
5000AIST	1½" button plunger pneumatic interlock, Baylast™ seals
5000AIR	Roller ball plunger pneumatic interlock, ideal for use on cabinet doors, Baylast™ seals
5000AIS	1" button plunger pneumatic/electronic interlock, ideal for connecting to lights or the overfill detection system, Baylast™ seals
5000AIV	Paddle plunger pneumatic interlock, for use on VR4000 vapor valve, Baylast™ seals
5000AIHD	Heavy duty, high flow air ports, same foot print as 5000AI, Baylast™ seals
5000AIRHD	Roller end for various angles, large air ports, Baylast™ seals
5000AIVHD	Heavy duty air interlock with paddle plunger, Baylast™ seals

Heavy Duty 6-Port Air Interlock Valves



Part #	Description
5006AIHD	Heavy duty, high flow air ports, Baylast™ seals
5006AIRHD	Roller end for various angles, large air ports, Baylast™ seals
5006AIVHD	Heavy duty air interlock with paddle plunger, Baylast™ seals

Fuel Tanker

Petroleum
Products

Hose Tube Doors

Application:	When not in use fuel delivery hoses are often store in tubes that run the length of the tanker, to keep the hoses in the storage tubes they have a welded cap on one end and a hinged tube door welded on the other end.
Standards:	Manufactured to weld to 6", 7" or 8" hose tubes
Materials:	Aluminum body, Buna seals, stainless steel door closure spring and hardware, nylon bushings
Features & Benefits:	<ul style="list-style-type: none"> • Pad-lockable • Keeps fuel delivery hoses neatly and safely stored in the designated storage tubes • Helps to protect the expensive delivery hoses and fittings from road dirt, salt and other environmental factors



TDF6



TDF7



TDF8

Part #	Description
TDF6	6" hose tube door
TDF7	7" hose tube door
TDF8	8" hose tube door

See page 93 for repair kits and replacement parts

Aluminum Ladder Step

Features & Benefits:	<ul style="list-style-type: none"> • Contoured tube connections to aid welding • For 2" tubing, 13" wide • Serrated to provide a safe, sure grip, anti – slip tread • Allows easy safe ladder access to the top of the tanker
----------------------	---



Part #	Description
15S	Ladder step

Static Grounding Balls

Application:	To help prevent static electric sparking when loading or unloading tankers containing flammable products, the tanker is grounded using a grounding cable with spring clip attached to a tank mounted static grounding ball.
Standards:	Manufactured with 3/8" -16UN-3A thread
Materials:	Brass or stainless steel
Features & Benefits:	<ul style="list-style-type: none"> • Helps eliminate static electricity sparking



GS1



GS2

Part #	Description
GS1	Brass grounding ball
GS1-2	Brass grounding ball with nut
GS2	Stainless steel grounding ball

Tanker Pipe Caps



Features & Benefits:	<ul style="list-style-type: none"> • Includes 12" heavy duty chain with S hook • Pin lugs allow easy tightening • Working pressure of up to 150 PSI
----------------------	---

Part #	Description
PC30	3" female NPS pipe threaded aluminum cap

Fuel Tanker

One Way Full Flow Ball Valves

Application:	One way full flow ball valves are often used to control the flow of products from tanker compartments.
Standards:	Manufactured with 2", 3" or 4" female NPT, socket weld to Schedule 40 or grooved ends
Materials:	Aluminum body, aluminum and stainless steel wetted parts, FPM (FKM and PTFE seals)
Features & Benefits:	<ul style="list-style-type: none"> • High flow with low pressure drop • Working pressure of 150 PSI at 21°C (70°F) • Valve spindle can be disassembled with valve installed.

Part #	Size	Description
1WAYBV200	2"	Female NPT
1WAYBV300	3"	Female NPT
1WAYBV400	4"	Female NPT
1WAYBV200SW	2"	Schedule 40 socket weld
1WAYBV300SW	3"	Schedule 40 socket weld
1WAYBV200VIC	2"	Grooved connections
1WAYBV300VIC	3"	Grooved connections



1WAYBV300



1WAYBV300SW



1WAYBV300VIC

Two Way-3 Port Diverting Ball Valves

Application:	Two way diverting ball valves are often used to diverting or mixing products between tanker compartments.
Standards:	Manufactured with 2", 3" or 4" female NPT, socket weld to Schedule 40 or grooved ends.
Materials:	Aluminum body, aluminum and stainless steel wetted parts, FPM (FKM and PTFE seals)
Features & Benefits:	<ul style="list-style-type: none"> • 3 ports allow easy flow diversion between tanker compartments • High flow with low pressure drop • Working pressure of 150 PSI at 21°C (70°F) • Valve spindle can be disassembled with valve installed.

Part #	Size	Description
2WAYBV200	2"	Female NPT
2WAYBV300	3"	Female NPT
2WAYBV400	4"	Female NPT
2WAYBV200SW	2"	Schedule 40 socket weld
2WAYBV300SW	3"	Schedule 40 socket weld
2WAYBV200VIC3	2"	Grooved connections
2WAYBV300VIC3	3"	Grooved connections



2WAYBV300



2WAYBV300SW



2WAYBV300VIC3

Product instruction sheets and technical data can be viewed on our website at dixonvalve.com

Dust Caps and Dust Plugs with Handle

Part #	Size	Description
300-DC-ALPH	3"	Aluminum dust cap
300-DP-ALPH	3"	Aluminum dust plug
400-DC-ALPH	4"	Aluminum dust cap
400-DP-ALPH	4"	Aluminum dust plug



400-DC-ALPH



400-DP-ALPH

Dry Disconnects

Cam and Groove Style Dry Disconnect Couplings

Petroleum Products

Application:	Dry disconnects help prevent spillage from normal or accidental disconnection of the connection. A spring loaded sealing device is designed to snap closed should the valve become disconnected with the poppet open, significantly limiting liquid loss.
Standards:	Manufactured to interchange with other cam and groove type dry disconnect couplings. Canadian registration number CRN #OH14044 all provinces, 3" size rated to 80 Psi for CRN required applications.
Materials:	Zinc, aluminum or stainless steel bodies with buna *, FKM *, FKM-B *, PTFE encapsulated silicone*, EPT (EPDM)*, Kalrez®, PTFE encapsulated FKM and PTFE seals, see part number chart for full seal selection. Contact Dixon™ at 800-355-1991 for working pressures at temperatures other than 21°C (70°F) and for chemical compatibility, size and material selection.
Features & Benefits:	<ul style="list-style-type: none"> • Helps eliminate the possibility of costly spills • Compatible with most other brands of cam and groove style dry disconnects • Special configurations can be designed for your application • Female NPT or 150# flanged connections <p>DBA Adapters</p> <ul style="list-style-type: none"> • Two-piece adapter design for easy rebuilding of adapters • Aluminum fittings have aluminum nose piece and brass piston, stainless steel parts have a stainless steel piston. • Adapters below are used with the DBC or D2C couplers shown on pages 36 and 37. • Use standard cam and groove dust caps sized one size larger than the dry disconnect size, see chart below for dust cap size selection. <p>DBC Couplers</p> <ul style="list-style-type: none"> • DBC series have automatic closing poppet assembly. • Heavy duty stainless steel crank and link provide long service life. • Stainless steel handle assembly allows exposure to corrosive chemicals or wash down service. • Strong handle attachment prevents bending of crank assembly. • Aluminum couplers have stainless steel internal parts. • EZ Boss-lock automatic locking cam arms, provide added security from accidental opening due to cam arms getting snagged or vibration. Very easy to use, just close the arms and they lock, to open simply lift the lever (possible even with gloves on).

* Dependent upon part #, see part number list below for more details



DBA71-200



DBA11-300

Female NPT Adapters

Female NPT Size	Adapter Size	Seal Material	Max PSI @ 21°C (70°F)	Aluminum Part #	Zinc/Aluminum Part #	Competitor Part #	Stainless Steel Part # ¹	Competitor Part #
1½"	2"	Buna	210	-	DBA11-150	1611AN-AL15	DBA71-150	1671AN-SS15
2"	2½"	Buna	150	DBA61-200	DBA11-200	1611AN-AL20	DBA71-200	1671AN-SS20
3"	4"	Buna	120	-	DBA11-300	1611AN-AL30	DBA71-300	1671AN-SS30
1½"	2"	FKM	210	-	DBA12-150	1612AN-AL15	DBA72-150	1672AN-SS15
2"	2½"	FKM	150	DBA62-200	DBA12-200	1612AN-AL20	DBA72-200	1672AN-SS20
3"	4"	FKM	120	-	DBA12-300	1612AN-AL30	DBA72-300	1672AN-SS30
1½"	2"	PTFE Encapsulated Silicone	210	DBA63-150	-	1613AN-AL15	DBA73-150	1673AN-SS15
2"	2½"	PTFE Encapsulated Silicone	150	DBA63-200	-	1613AN-AL20	DBA73-200	1673AN-SS20
3"	4"	PTFE Encapsulated Silicone	120	DBA63-300	-	1613AN-AL30	DBA73-300	1673AN-SS30
1½"	2"	EPT (EPDM)	210	DBA64-150	-	1614AN-AL15	DBA74-150	1674AN-SS15
2"	2½"	EPT (EPDM)	150	DBA64-200	-	1614AN-AL20	DBA74-200	1674AN-SS20
3"	4"	EPT (EPDM)	120	DBA64-300	-	1614AN-AL30	DBA74-300	1674AN-SS30
1½"	2"	Kalrez®	210	DBA66-150	-	1616AN-AL15	DBA76-150	1676AN-SS15
2"	2½"	Kalrez®	150	DBA66-200	-	1616AN-AL20	DBA76-200	1676AN-SS20
3"	4"	Kalrez®	120	DBA66-300	-	1616AN-AL30	DBA76-300	1676AN-SS30
1½"	2"	PTFE Encapsulated FKM	210	DBA67-150	-	1617AN-AL15	DBA77-150	1677AN-SS15
2"	2½"	PTFE Encapsulated FKM	150	DBA67-200	-	1617AN-AL20	DBA77-200	1677AN-SS20
3"	4"	PTFE Encapsulated FKM	120	DBA67-300	-	1617AN-AL30	DBA77-300	1677AN-SS30
NEW	2"	FKM-GFLT	150	-	-	-	DBA78-200	-
	3"	FKM-B	120	DBA69-300	-	1619AN-AL30	DBA79-300	1679AN-SS30

¹ Stainless steel corrosion resistance is comparable to 304 stainless steel.

Dry Disconnects

Jump Size Female NPT Adapters

Female NPT Size	Adapter Size	Dry Disconnect Body Size	Seal Material	Max PSI @ 21°C (70°F)	Zinc/Aluminum Part #	Competitor Part #
2"	2"	1½"	Buna	150	DBA11-1520	-
2"	2"	1½"	FKM	150	DBA12-1520	-

See pages 97 and 98 for replacement parts.



DBA12-1520

Female NPS Vapor Adapter

Female NPSM Size	Adapter Size	Dry Disconnect Body Size	Seal Material	Max PSI @ 21°C (70°F)	Stainless Steel Part #	Competitor Part #
3"	2½"	2"	PTFE	150	DBVA73-2030	2173AVN

See page 99 for replacement parts.



DBA12-1520

150# Flange Adapters

Flange Size	Adapter Size	Dry Disconnect Body Size	Seal Material	Max PSI @ 21°C (70°F)	Stainless Steel Part #	Competitor Part #
2"	2"	1½"	Buna	150	DBAF71-1520	1671ANF-SS15
2"	2½"	2"	Buna	150	DBAF71-200	1671ANF-SS20
3"	4"	3"	Buna	120	DBAF71-300	1671ANF-SS30
2"	2"	1½"	FKM	150	DBAF72-1520	1672ANF-SS15
2"	2½"	2"	FKM	150	DBAF72-200	1672ANF-SS20
3"	4"	3"	FKM	120	DBAF72-300	1672ANF-SS30
2"	2"	1½"	PTFE Encapsulated Silicone	150	DBAF73-1520	1673ANF-SS15
2"	2½"	2"	PTFE Encapsulated Silicone	150	DBAF73-200	1673ANF-SS20
3"	4"	3"	PTFE Encapsulated Silicone	120	DBAF73-300	1673ANF-SS30
2"	2"	1½"	EPT (EPDM)	150	DBAF74-1520	1674ANF-SS15
2"	2½"	2"	EPT (EPDM)	150	DBAF74-200	1674ANF-SS20
3"	4"	3"	EPT (EPDM)	120	DBAF74-300	1674ANF-SS30
2"	2"	1½"	Kalrez®	150	DBAF76-1520	1676ANF-SS15
2"	2½"	2"	Kalrez®	150	DBAF76-200	1676ANF-SS20
3"	4"	3"	Kalrez®	120	DBAF76-300	1676ANF-SS30
2"	2½"	2"	FKM-GFLT	150	DBAF78-200	-



DBAF72-200

NEW

Note: Stainless steel corrosion resistance is comparable to 304 stainless steel.

Dry Disconnects

Cam and Groove Style Dry Disconnect Couplings



DBC61-150



DBC61-300

Female NPT Couplers

Female NPT Size	Coupler Size	Seal Material	Max PSI @ 21°C (70°F)	Aluminum Part #	Competitor part # (New & Old)	Stainless Steel Part #	Competitor Part # (New & Old)
1.5"	2"	Buna	210	DBC61-150	1711DL-AL15 / 1761D-AL15	DBC71-150	1771DL-SS15 / 1771D-SS15
2"	2½"	Buna	150	DBC61-200	1711DL-AL20 / 1761D-AL20	DBC71-200	1771DL-SS20 / 1771D-SS20
3"	4"	Buna	120	DBC61-300	1711DL-AL30 / 1761D-AL30	DBC71-300	1771DL-SS30 / 1771D-SS30
1.5"	2"	FKM	210	DBC62-150	1712DL-AL15 / 1762D-AL15	DBC72-150	1772DL-SS15 / 1772D-SS15
2"	2½"	FKM	150	DBC62-200	1712DL-AL20 / 1762D-AL20	DBC72-200	1772DL-SS20 / 1772D-SS20
3"	4"	FKM	120	DBC62-300	1712DL-AL30 / 1762D-AL30	DBC72-300	1772DL-SS30 / 1772D-SS30
1½"	2"	PTFE Encapsulated Silicone	210	DBC63-150	1713DL-AL15 / 1763D-AL15	DBC73-150	1773DL-SS15 / 1773D-SS15
2"	2½"	PTFE Encapsulated Silicone	150	DBC63-200	1713DL-AL20 / 1763D-AL20	DBC73-200	1773DL-SS20 / 1773D-SS20
3"	4"	PTFE Encapsulated Silicone	120	DBC63-300	1713DL-AL30 / 1763D-AL30	DBC73-300	1773DL-SS30 / 1773D-SS30
1½"	2"	EPT (EPDM)	210	DBC64-150	1714DL-AL15 / 1764D-AL15	DBC74-150	1774DL-SS15 / 1774D-SS15
2"	2½"	EPT (EPDM)	150	DBC64-200	1714DL-AL20 / 1764D-AL20	DBC74-200	1774DL-SS20 / 1774D-SS20
3"	4"	EPT (EPDM)	120	DBC64-300	1714DL-AL30 / 1764D-AL30	DBC74-300	1774DL-SS30 / 1774D-SS30
1½"	2"	Kalrez®	210	DBC66-150	1716DL-AL15 / 1766D-AL15	DBC76-150	1776DL-SS15 / 1776D-SS15
2"	2½"	Kalrez®	150	DBC66-200	1716DL-AL20 / 1766D-AL20	DBC76-200	1776DL-SS20 / 1776D-SS20
3"	4"	Kalrez®	120	DBC66-300	1716DL-AL30 / 1766D-AL30	DBC76-300	1776DL-SS30 / 1776D-SS30
1½"	2"	PTFE Encapsulated FKM	210	DBC67-150	1717DL-AL15 / 1767D-AL15	DBC77-150	1777DL-SS15 / 1777D-SS15
2"	2½"	PTFE Encapsulated FKM	150	DBC67-200	1717DL-AL20 / 1767D-AL20	DBC77-200	1777DL-SS20 / 1777D-SS20
3"	4"	PTFE Encapsulated FKM	120	DBC67-300	1717DL-AL30 / 1767D-AL30	DBC77-300	1777DL-SS30 / 1777D-SS30
2"	2½"	FKM-GFLT	150	-	-	DBC78-200	-
3"	4"	FKM-B	120	DBC69-300	1719DL-AL30 / 1769D-AL30	DBC79-300	1779DL-SS30 / 1779D-SS30

NEW

Greaseless Female NPT Couplers

Female NPT Size	Coupler Size	Seal Material	Max PSI @ 21°C (70°F)	Stainless Steel Part #	Competitor Part # (New and Old)
1½"	2"	PTFE Encapsulated FKM	210	DBC77-150-GL	1777DL-SS15-GL / 177D-SS15-GL
2"	2½"	PTFE Encapsulated FKM	150	DBC77-200-GL	1777DL-SS20-GL / 177D-SS20-GL

Note: Stainless steel corrosion resistance is comparable to 304 stainless steel. See pages 101 - 108 for repair kits and replacement parts.

Female NPT Swivel Couplers



DBS61-200

Female NPT Size	Coupler Size	Seal Material	Max PSI @ 21°C (70°F)	Aluminum Part #	Competitor Part # (New and Old)
2"	2½"	Buna	150	DBS61-200	1711ESL-AL20 / 1711ES-0200
2"	2½"	FKM	150	DBS62-200	1712ESL-AL20 / 1712ES-0200
2"	2½"	PTFE Encapsulated Silicone	150	DBS63-200	-

Dry Disconnects

Valve Handle Locking Kits for above Couplers

Part #	Description
DBCL-200	Valve handle locking kit for 1½" & 2" couplers
DBCL-300	Valve handle locking kit for 3" couplers



DBCL-200

Cam and Groove Style Dry Disconnect D2C Couplings

Application:	Dry disconnects help prevent spillage from normal or accidental disconnection of the connection. D2C series couplings are similar to the DBC series as shown on page 23, except the D2C do not have an internal seal cylinder, therefore the couplings do not automatically close. The D2C couplers are suited to vapor recovery, suction pump and applications where it is necessary to easily drain the hose or piping for cleaning. They can also be used when product retention in hose or pipe is desired, but environmental damage from an open coupling is not a threat.
Standards:	Use with Dixon Bayco DBA series adapters. Manufactured to interchange with other cam and groove type dry disconnect couplings.
Materials:	316 Stainless steel bodies with Buna *, FKM *, FKM-B *, PTFE encapsulated silicone *, EPT (EPDM)*, Kalrez®, PTFE encapsulated FKM seals, see part number chart for full seal selection. Contact Dixon™ at 800-355-1991 for working pressures at temperatures other than 21°C (70°F) and for chemical compatibility, size, and material selection.
Features & Benefits:	<ul style="list-style-type: none"> • Helps eliminate the possibility of costly spills • Compatible with most other brands of cam and groove style dry disconnects • Special configurations can be designed for your application • Female NPT • Couplers below are used with the DBA adapters shown on pages 21 and 22. • Use standard cam and groove dust plugs, sized one size larger than the dry disconnect size, see chart below for dust plug size selection. • Stainless steel valve handle locking kit included on valve handle. • EZ Boss-lock automatic locking cam arms provide added security from accidental opening due to cam arms getting snagged or vibration. Very easy to use, just close the arms and they lock, to open simply lift the lever (possible even with gloves on).

* Dependent upon part #, see part number list below for more details
See page 104 for replacement parts.

Female NPT Couplers

Female NPT Size	Coupler Size	Seal Material	Max PSI @ 21°C (70°F)	Stainless Steel Part #	Competitor Part #
1½"	2"	Buna	210	D2C71-150	2271D-SS15
2"	2½"	Buna	150	D2C71-200	2271D-SS20
1½"	2"	FKM	210	D2C72-150	2272D-SS15
2"	2½"	FKM	150	D2C72-200	2272D-SS20
1½"	2"	PTFE Encapsulated Silicone	210	D2C73-150	2273D-SS15
2"	2½"	PTFE Encapsulated Silicone	150	D2C73-200	2273D-SS20
1½"	2"	EPT (EPDM)	210	D2C74-150	2274D-SS15
2"	2½"	EPT (EPDM)	150	D2C74-200	2274D-SS20



D2C71-150



D2C71-200

Dry Disconnects

Bayco Bayonet Style Dry Disconnect Couplings

Application:	Bayonet dry disconnect fittings are ideally suited for the spill-less transfer of petroleum products such as fuel oil, lube oil blending, and tank truck delivery. The design of the Bayco bayonet dry disconnect system ensures a spill free connection, fluid cannot flow until couplings are connected together and the valve is opened. The coupling can then not be disconnected until the valve handle is closed.
Standards:	Manufactured to interchange with other brands of bayonet type dry disconnect couplings. Canadian registration number CRN #OH14055 all provinces.
Materials:	Adapters have anodized aluminum *, brass * or stainless steel * bodies with either anodized aluminum * or brass * poppet valves. Couplers are aluminum. Adapters and couplers are available with either buna or FKM seals.
Features & Benefits:	<ul style="list-style-type: none"> • Helps eliminate the possibility of costly spills • Compatible with most other brands of bayonet style dry disconnects • Female NPT • Rubber dust caps and plugs with stainless steel chains are available to protect the adapters and couplers from contamination and damage • Maximum operating pressure: 85 PSI at 75°F, for pressure ratings at other temperatures contact Dixon™.

* Dependent upon part #, see part number list below for more details
See page 112 for replacement parts.



BA32-200



BA62-300

Female NPT Adapters

Female NPT Size	Seal Material	Description	Part #	Competitors Part #	Rubber Dust Cap Part #
2"	Buna	Stainless steel body with brass poppet valve	BA31-200	J72A-BBN0-B / J72A-ABN0-B	BAC-200
2"	FKM	Stainless steel body with brass poppet valve	BA32-200	J72A-BVN0-B / J72A-AVN0-B	BAC-200
3"	Buna	Brass body and poppet valve	BA31-300	J73A-BBN0-B	BAC-300
3"	FKM	Brass body and poppet valve	BA32-300	J73A-BVN0-B	BAC-300
3"	Buna	Anodized aluminum body and poppet valve	BA61-300	J73A-ABN0-B	BAC-300
3"	FKM	Anodized aluminum body and poppet valve	BA62-300	J73A-AVN0-B	BAC-300



BC61-200



BSS61-300



BS61-300

Female NPT Couplers

Female NPT Size	Seal Material	Description	Part #	Competitors Part #	Rubber Dust Plug Part #
2"	Buna	Anodized aluminum body with straight non-swiveling NPT connection	BC61-200	J72C-ABNO-B	BCP-200
2"	FKM	Anodized aluminum body with straight non-swiveling NPT connection	BC62-200	J72C-AVNO-B	BCP-200
2"	Buna	Aluminum body with straight swiveling NPT connection	BSS61-200	J72C-ABN1-B	BCP-200
2"	FKM	Aluminum body with straight swiveling NPT connection	BSS62-200	J72C-AVN1-B	BCP-200
2"	Buna	Aluminum body with 90° swiveling NPT connection	BS61-200	J72C-ABN2-B	BCP-200
2"	FKM	Aluminum body with 90° swiveling NPT connection	BS62-200	J72C-AVN2-B	BCP-200
3"	Buna	Aluminum body with straight swiveling NPT connection	BSS61-300	J73C-ABN1-B	BCP-300
3"	FKM	Aluminum body with straight swiveling NPT connection	BSS62-300	J73C-AVN1-B	BCP-300
3"	Buna	Aluminum body with 90° swiveling NPT connection	BS61-300	J73C-ABN2-B	BCP-300
3"	FKM	Aluminum body with 90° swiveling NPT connection	BS62-300	J73C-AVN2-B	BCP-300

Dry Disconnects

Bayco Bayonet Style Dry Disconnect Caps and Plugs

Application:	Bayonet dry disconnect caps and plugs keep dirt, debris and water out of couplers preventing build up on the sealing surface that will cause seals to fail prematurely.
Materials:	The caps have a stainless steel chain to secure them to the adapter chain lug. The plugs have a stainless steel chain to secure them to the coupler.
Features & Benefits:	<ul style="list-style-type: none"> • Simple to use • Low cost • Durable and flexible rubber • Prevents contamination of product



BAC-300




BCP-300

Size	Part #	Description
2"	BCP-200	Coupler plug
3"	BCP-300	Coupler plug
2"	BAC-200	Adapter cap
3"	BAC-300	Adapter cap

Fuel Tanker

API Couplers

Application:	API couplers are used at the petroleum loading rack for bottom loading of petroleum tankers. They are mounted to the rack loading arm, using the built in 4" TTMA flange connection. When the empty Petroleum tanker pulls into the loading rack to load, the API couplers are connected to the API valves on the tanker. The connection interface consists of a poppet and a plunger, which ensures a positive spill free connection.
Standards:	Manufactured to American Petroleum Institute standard API RP-1004, which allows for positive connection to API valves such as the Dixon Bayco 5204 series API valves
Materials:	356 T6 aluminum anodized hard coat body, aluminum handle, stainless steel hardware, buna *, FKM-B * and FKM GFLT * seals *
Features & Benefits:	<ul style="list-style-type: none"> • Modular design, allows various face seal combinations, and very easy no special tools required maintenance • Shaft seals can be changed without removing coupler from loading arm • Locking 5 cam design for easy alignment and tight connection and safety interlock to help ensure coupler properly attached before valve opens. • 5300BCL is for use in railcar applications with investment cast SS locking handle • Ball-end handle for easy, comfortable operation • Choice of either a bonded nose seal, which offers a long life and cannot be washed out, or replaceable nose seal, which allows quick seal replacement without removal from the loading arm. • Link, shaft, pin and crank: hardened 17-4PH stainless steel • Maximum working pressure 150 PSI with a peak surge pressure of 350 PSI. Maximum flow 1000 GPM, (2271 LPM). Pressure drop of only 3 to 4 PSI. • Biofuel compatible up to E100 (100% Ethanol) * and B100 (100% bio diesel). * For detailed fuel compatibility, please refer to the chart shown on page 4. 

* Dependent upon part #, see part number list below for more details

API coupler with bonded nose seal



API Coupler

Part #	Seal Material	Fuel Compatibility
5300	Buna seals	Gasoline and diesel, up to E100 and B20 biofuels
5300B	FKM-B	Gasoline and diesel, up to E100 and B100 biofuels
5300G	FKM GFLT	Gasoline and diesel, up to E100 and B100 biofuels
5300BC	FKM-B	Gasoline and diesel, up to E100 and B100 biofuels, crude oil
5300BCL	FKM-B	Gasoline and diesel, up to E100 and B100 biofuels, crude oil

API coupler with replaceable nose seal



5204T

Part #	Seal Material	Fuel Compatibility
5400	Buna seals	Gasoline and diesel, up to E100 and B20 biofuels
5400B	FKM-B	Gasoline and diesel, up to E100 and B100 biofuels
5400G	FKM GFLT	Gasoline and diesel, up to E100 and B100 biofuels
Part #	Description	
5204T	API rack coupler plug	
5204H	Rack coupler hanger	

NEW

See pages 67-69 for repair kits and replacement parts

Fuel Tanker

Forged Aluminum Groove Clamps

Features and Benefits:

- Lightweight yet rugged. Unlike steel groove clamps that secure the pipe ends with high clamping force against the tubing/piping walls, the Dixon™ aluminum bolted clamp takes the full bolt force and locks into the groove of the tube/pipe, preventing distortion of the tube/pipe diameter.
- Precision forged to provide an exact fit and great appearance
- Lock nuts prevent loosening in applications with vibration.

Size	Seal	Part #	Max. PSI	Approx. Weight Lbs.	Bolt Torque ¹	Fuel Compatibility
2"	Buna	DBV-BN200	400	0.8	20 ft lbs	Gasoline and Diesel, up to E100 & B20 Biofuels
2"	FKM-B	DBV-VB200	400	0.8	20 ft lbs	Gasoline and Diesel, up to E100 & B100 Biofuels
2"	Baylast™	DBV-BL200	400	0.8	20 ft lbs.	Gasoline and Diesel, up to E100 & B100 Biofuels
3"	Buna	DBV-BN300	170	1.1	20 ft lbs	Gasoline and Diesel, up to E100 & B20 Biofuels
3"	FKM-B	DBV-VB300	170	1.1	20 ft lbs	Gasoline and Diesel, up to E100 & B100 Biofuels
3"	Baylast™	DBV-BL300	170	1.1	20 ft lbs.	Gasoline and Diesel, up to E100 & B100 Biofuels
4"	Buna	DBV-BN400	120	1.5	20 ft lbs	Gasoline and Diesel, up to E100 & B20 Biofuels
4"	FKM-BB	DBV-VB400	120	1.5	20 ft lbs	Gasoline and Diesel, up to E100 & B100 Biofuels
4"	Baylast™	DBV-BL400	120	1.5	20 ft lbs.	Gasoline and Diesel, up to E100 & B100 Biofuels



DBV-BN400



¹ Torque the bolts until metal to metal contact occurs at the bolt pads (about 20 ft-lbs). Bolts must be tightened evenly to prevent gasket pinching and clamp breaking. DO NOT tighten one side then the other. Over-torquing will not improve sealing and may result in failure of the clamps. DO NOT torque bolts over 30 ft-lbs.

Groove x Groove Painted Iron Clamps with Baylast™ Gasket

Features and Benefits:

- Painted red
- Baylast™ rated for biodiesel, Ethanol, diesel, gas and ULSD
- Groove x groove

Size	Seal	Maximum PSI	Part #
2"	Baylast™	500	L02BL
3"	Baylast™	300	L03BL
4"	Baylast™	300	L04BL



L02BL

Replacement Clamp Gaskets



G400T

Clamp Size	Part #	Seal	Buna Fuel Compatibility
2"	G200T	Buna (1 orange stripe)	Gasoline and Diesel, up to E100 & B20 Biofuels
3"	G300T	Buna (1 orange stripe)	Gasoline and Diesel, up to E100 & B20 Biofuels
4"	G400T	Buna (1 orange stripe)	Gasoline and Diesel, up to E100 & B20 Biofuels
2"	G200VB	FKM-B (2 red stripe)	Gasoline and Diesel, up to E100 & B100 Biofuels
3"	G300VB	FKM-B (2 red stripe)	Gasoline and Diesel, up to E100 & B100 Biofuels
4"	G400VB	FKM-B (2 red stripe)	Gasoline and Diesel, up to E100 & B100 Biofuels
2"	G200BL	Baylast™ (two orange stripes)	Gasoline and Diesel, up to E100 & B100 Biofuels
3"	G300BL	Baylast™ (two orange stripes)	Gasoline and Diesel, up to E100 & B100 Biofuels
4"	G400BL	Baylast™ (two orange stripes)	Gasoline and Diesel, up to E100 & B100 Biofuels

Fuel Tanker

Farm and Consumer Nozzles

Features:

- Micro-touch valve provides smooth operation and exceptional flow control
- Pure PTFE stem packing eliminates leaks
- Heavy duty, strong, secure hook makes it easy to hang the nozzle on the pump
- Roto-matic latch pin provides positive auto shut-off
- Smartguard snap-on scuff guard
- With trigger hold-open clip
- Non Underwriters Listed nozzle



gasoline



diesel

Female NPT Inlet	Spout Size	Intended Service	Approximate Flow Rate At 20 PSI (GPM)	Approximate Weight Lbs	Scuff Guard Color	Part #
3/4"	13/16"	Gasoline	18	2½	Black	DN7UOBF
3/4"	15/16"	Diesel	23	2½	Green	DN7LOBF

Big Mouth™ Diesel Nozzle

Features and Benefits:

- *This nozzle is not to be used with gravity flow tanks.*
- Lightweight but strong
- Micro-touch valve provides smooth operation and exceptional flow control
- Roto-matic latch pin provides positive auto shut-off
- Pure PTFE packing eliminates stem leaks
- Super tough nylon hand guard
- Snap-on handle cover makes changing scuff guards easy
- With trigger hold-open clip
- Non Underwriters Listed nozzle



Female NPT Inlet	Spout Size	Intended Service	Approximate Flow Rate At 20 PSI (GPM)	Approximate Weight Lbs	Scuff Guard Color	Part #
1"	1-1/8"	Diesel	27	3	Yellow	DFN100

Fuel Master™ Diesel Nozzles

Features and Benefits:

- High flow capacity
- Micro-touch valve provides smooth operation and exceptional flow control
- Roto-matic latch pin provides positive auto shut-off
- Pure PTFE packing eliminates stem leaks
- Super tough nylon hand guard
- Easy to change 'locknut style' spout assembly
- With trigger hold-open clip
- Non Underwriters Listed nozzle



DFN100HF



DFN100SF

Female NPT Inlet	Spout Size	Intended Service	Approximate Flow Rate At 20 PSI (GPM)	Approximate Weight Lbs	Scuff Guard Color	Part #
1"	1-3/16"	Diesel	35	3½	Green	DFN100HF
1"	1-3/16"	Diesel	45	3½	Green	DFN100SF

DEF Automatic Shutoff Nozzle

Features and Benefits:

- Designed for diesel exhaust fluid, aluminum body double coated inside and out with PTFE baked on at 500°F
- Spout: stainless steel
- Wetted parts: stainless, acetal, PTFE
- Seals are FKM-A



BSPP Inlet	Spout Size	Intended Service	Approximate Flow Rate At 20 PSI (GPM)	Approximate Weight Lbs	Scuff Guard Color	Part #
------------	------------	------------------	---------------------------------------	------------------------	-------------------	--------

Fuel Nozzles

Fueler 100™ Automatic Diesel Nozzle

Features & Benefits:

- Good flow rating of **75 GPM (at 30 PSI)**
- Light weight Tenzaloy aluminum casting
- Tough, reliable and easy to operate automatic nozzle for fueling trucks, buses, off-road equipment and fuel oil delivery
- Replaces 1124D and 1144D

Female NPT Inlet	Spout Size	Intended Service	Approximate Flow Rate At 30 PSI (GPM)	Approximate Weight Lbs	Part #
1¼"	1-3/8"	Diesel	75	6-7/8	DNOG5-NL¹
1¼"	1-3/8"	Diesel	75	6-7/8	DNOG5
1½"	1-3/8"	Diesel	75	6-7/8	DNOG6



¹ The DNOG5-NL is a 1¼" nozzle without the locking handle

The Fueler 100™ is also available in a lower cost re-built unit. In addition, we also offer a core exchange program for any old DNOG6 models you may want to dispose of. Quantities for the DNOG6RB can be limited and are not available for backorder.

Description	Part #
Rebuilt DNOG6 nozzle	DNOG6RB
Core exchange for DNOG6 Nozzle	DNOG6CX

Pressure Nozzles for Bulk Delivery

Features & Benefits:

- High flow design, 1½" nozzle (112D) provides **100 GPM** flow at approx **10 PSI**
- Easy opening dash pot design with shock less closing
- Available with or without an aluminum spout (brass spouts optional)
- Detachable and replaceable trigger ratchet

Female NPT Inlet	Outlet Type	Part #
1¼"	1¼" aluminum spout	114D
1¼"	1¼" female NPT	114DNS
1½"	1½" aluminum spout	112D
1½"	1½" female NPT	112DNS



112D

Replacement Spouts

Male NPT Size	Description	Part #
1¼"	Replacement aluminum spout	1143A
1¼"	Optional brass spout	1143B
1½"	Replacement aluminum spout	1125A
1½"	Optional brass spout	1125B

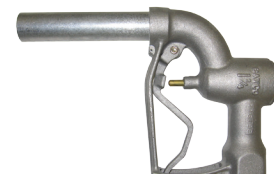


112DNS

See page 120 for repair kits and replacement parts.

Pressure Nozzles for Bulk Delivery

Female NPT Inlet	Outlet Type	Part #
1¼"	1¼" aluminum spout	1250-94



See page 122 for repair kits and replacement parts.

Fuel Nozzles

Petroleum
Products

Ball Nozzles for Bulk Delivery

Application:	Ball nozzles have a very high flow rate and low pressure drop and are ideal for bulk oil and fuel deliveries, they are basically a full port ball valve with an inlet swivel and outlet spout.
Standards:	Manufactured to connect to NPT threaded hose connections
Materials:	Black anodized aluminum main body, with aluminum spout, polished stainless steel handle and latch, Bayloy inlet swivel, hardened carbon steel swivel ball race, through hardened chrome steel ball bearings, buna and PTFE seals, Acetal valve seat and stainless steel valve ball. Please note: all fuels contain additives, which vary by fuel brand and season. Please contact Dixon™ with a list of all additives and we will advise of any known compatibility issues.
Features & Benefits:	<ul style="list-style-type: none"> • Full 1" flow path through the ball is computer designed and higher than any known competitors, which results with very low pressure drop permitting higher flow rates at lower pressure, reducing foaming or product backups. • Unique swivel design permits leak free service, even at temperatures as low as -40°C (-40°F) at 100 PSI • Comes standard with 3 PSI check valve, helps ensure residual fuels within the delivery hose and nozzle are contained (optional 5 PSI check valve kit is available, order field replaceable kit BL-RK11 for 1¼" and 1½" ball nozzles, and kit BL-RK112 for 2" Super Ball nozzles) • Available with field replaceable outlet spout or quick fill swivel nut.



BL072



BL062NS



BL062/BL064



BL920

Female NPT Swivel Inlet	Outlet Type	Part #
1¼"	Quick fill nut	BL062
1¼"	1¼" aluminum spout	BL066
1¼"	1¼" female NPT	BL066NS
1½"	1¼" aluminum spout	BL068
1½"	1¼" female NPT	BL068NS
1½"	Quick fill nut	BL064
1½"	1½" aluminum spout	BL072
1½"	1½" female NPT	BL072NS
1½"	2" aluminum spout	BL918
2"	1½" aluminum spout	BL919
2"	2" aluminum spout	BL920

Replacement Spouts and Quick Fill Swivel Nuts



BL002

Male NPT Size	Description	Part #
1¼"	Replacement aluminum spout	1143A
1¼"	Bronze quick fill nut adapter for BL066NS and BL068NS	BL002
1½"	Replacement aluminum spout	1125A
1½"	Bronze quick fill nut adapter for BL072NS	BL001
2"	Replacement aluminum spout	391137
-	Replacement bronze quick fill nut adapter for BL062 and BL064	BL005

Fuel Nozzles

Standard - Low Pressure/Gravity Utility Nozzles

Application:	These delivery nozzles are manual operation (do not have an automatic flow shut off) ideally suited for low pressures (maximum 25 PSI) such as agricultural and 12 volt truck utility pumps, or gravity flow applications.
Standards:	Manufactured to connect to NPT threaded hose connections.
Materials:	Die cast zinc body, plated steel trigger and aluminum spout, buna seals Please note all fuels contain additives which can vary by fuel brand and season. Please contact Dixon™ with a list of all additives and we will advise of any known compatibility issues.
Features & Benefits:	<ul style="list-style-type: none"> • Rugged design • Good flow rating, provides 95 GPM flow at approx 20 PSI • Choice of ¾" or 1" inlets, and a variety of outlets and spouts

Female NPT Inlet	Outlet Type	Part #
¾" ¹	¾" straight spout	900S34
¾" ¹	¾" bent spout	900B34
1"	1" UNS female thread (nozzle body only)	900
1"	¾" straight spout	900W34S
1"	¾" bent spout	900W34B
1"	1" straight spout	900S
1"	1" bent spout	900B



900B

¹ Nozzles with ¾" female NPT inlet, use a steel bushing to achieve ¾" female NPT inlet.

Replacement Spouts

Description	Part #
¾" replacement straight spout	234-80-4
¾" replacement bent spout	234-80-5
1" replacement straight spout	875-4
1" replacement bent spout	875-5



875-5

Fuel Nozzles & Swivels

Aircraft Over Wing Nozzles

Application:	Aircraft over wing nozzles are manual operation (do not have an automatic flow shut off) they are used for fueling aircraft that have fuel tank access from the top of the wing.
Standards:	Manufactured to connect to NPT threaded hose connections.
Materials:	Aluminum body, bronze trigger, aluminum spout, Buna seals, plastic wing guard and spout cap, stainless steel mesh screen. Please note: all fuels contain additives, which can vary by fuel brand and season. Please contact Dixon™ with a list of all additives and we will advise of any known compatibility issues.
Features & Benefits:	<ul style="list-style-type: none"> • High flow design provides approximately 60 GPM @ 20 PSI • Easy opening dash pot design with shock less closing • Plastic wing guard protects the aircraft wing during fueling • Detachable and replaceable trigger ratchet • Aluminum spout has a plastic cap with spring cord, to prevent drips and scratches • Nozzle includes a fine mesh stainless steel screen filter • Screw attachment for grounding cable



114DAV-06ASM

Female NPT Inlet	Outlet type	Part #
1¼"	1" aluminum spout	114DAVR
1¼"	1¼" aluminum spout	114D-AV
1½"	1¼" aluminum spout	114D-AV-06ASM

See page 121 for repair kits and replacement parts.

Male x Female NPT Nozzle Swivels

Standards:	Manufactured to connect to NPT threaded hose and nozzle connections
Materials:	¾" and 1" sizes, aluminum body, brass hex nut, FKM / Buna seals, nylon cord retainer. 1¼" - 2" sizes, Bayloy body, hardened carbon steel swivel ball race, through hardened chrome steel ball bearings, buna and PTFE seals Please note all fuels contain additives which can vary by fuel brand and season. Please contact Dixon™ with a list of all additives and we will advise of any known compatibility issues.



SWMF150

Size	Description	Part #
¾"	Male NPT x female NPT	DAWS34
1"	Male NPT x female NPT	DAWS10
1¼"	Male NPT x female NPT	SWMF125
1½"	Male NPT x female NPT	SWMF150
2"	Male NPT x female NPT	SWMF200

Male NPT x Hose Shank Swivel



1565U

Size	Description	Part #
1½"	Male NPT x hose shank, Buna-N seal	1565U

See page 124 for repair kits and replacement parts.

Fuel Swivels

Breakaways

Application:	Provides breakaway protection for high capacity fueling operations such as truck and bus terminals, mining, off-road fueling and fuel oil delivery.
Materials:	Aluminum body
Features & Benefits:	<ul style="list-style-type: none"> • Buna seals • Unique ball valves seal both ends when separated • Design provides consistent and reliable performance • Lightweight • Easy to repair • $\frac{3}{4}$" are Underwriter's Listed

Size	Number Of Brass Break Rings	Separation Force (Lbs)	Part #
$\frac{3}{4}$ "	2	325	DAB34
1"	2	325	DAB1



DAB34

Application:	Provides breakaway protection for high capacity fueling operations such as truck and bus terminals, mining, off-road fueling and fuel oil delivery.
Materials:	Nickel plated aluminum body
Features & Benefits:	<ul style="list-style-type: none"> • FKM / Buna seals • Check valve - PTFE ball seals both ends when separated

Size	Number Of Brass Break Rings	Separation Force (Lbs)	Part #
1 $\frac{1}{4}$ "	4	600	DAB14
1 $\frac{1}{2}$ "	4	600	DAB15
2"	6	800	DAB2



DAB15

Above Ground Tank

Automatic Pressure/Vacuum Relief Caps for Stationary Tanks

Application:	These caps are threaded into the top of stationary (non-mobile) above ground fuel storage tanks, where they serve two purposes: a) they can be used as a thread in and lockable fuel filler cap. b) They protect the tank from expansion or implosion, the internal relief valve is normally closed, but opens to relieve internal pressure or vacuum.
Standards:	Manufactured to thread into both NPS and NPT tank openings
Materials:	Die cast zinc body, brass screen
Features & Benefits:	<ul style="list-style-type: none"> • Normally closed vent stops fuel evaporation and airborne contaminants • Protects tank from pressure or vacuum build-up. Relieves pressure at 2 PSI and vacuum at 0.7 HG at a rate of 20 SCFM • Can be used as a fuel filler cap • Pad-lockable to prevent fuel theft and tampering



2500L

Male NPT	Part #
2"	2000L
2½"	2500L

Note: Not intended for use on mobile tanks. To ensure that the cap can properly vent, the vent cap must be kept free of any debris i.e. dirt, snow, ice, rags etc.

Standard Vent Caps for Stationary Tanks



- Always open vent
- Protects tank from pressure or vacuum build-up
- Can be used as a fuel filler cap



2500SFV

Male NPS	Part #
2½"	2500SFV

Note: Not intended for use on mobile tanks. To ensure that the cap can properly vent, the vent cap must be kept free of any debris i.e. dirt, snow, ice, rags etc.

Automatic Pressure/Vacuum Relief Caps for Mobile Tanks



- Normally closed vent, stops fuel evaporation and airborne contaminants
- Protects tank from pressure or vacuum build-up. Relieves pressure at **7.5-9 PSI** and Vacuum at .33 HG
- Can be used as a fuel filler cap
- Pad-lockable to prevent fuel theft and tampering



200-PV-9

Male NPS	Part #
2"	200-PV-9

Note: To ensure that the cap can properly vent, the vent cap must be kept free of any debris i.e. dirt, snow, ice, rags etc.

FloTech™ Overflow Detection System



Overflow
Products

GOODYEAR
GOODYEARBELTING.COM

Call Toll Free: 1-866-711-4673
International: +1-727-342-5086

We Ship
World Wide

Fuel Tanker Overfill Detection

FloTech™ Overfill Detection Products

Overfill Products

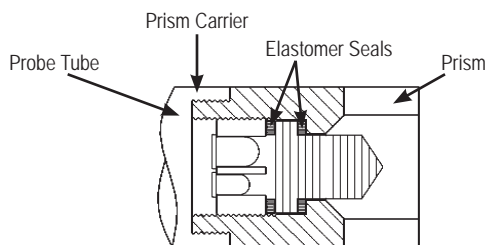
Application: The overfill detection system used on petroleum cargo tanks typically consists of a sensor mounted in each tank compartment, an onboard monitor located near the bottom loading valves and an API compatible socket. The overfill system is intended to detect a pending overfill condition inside the cargo tank compartment and signal the loading rack to close the fuel supply control valve, to prevent a spill of product. These systems are required by law as part of the bottom loading system and considered a secondary emergency shut off device. The overfill system is typically triggered when the primary metering system fails to load the cargo tank compartment with the correct volume of product.

Standards: Manufactured to American Petroleum Institute standard API RP-1004, which allows for drop in interchange ability with other brands.

Materials: Dependent upon the component, see each product section for materials.

Features & Benefits:

- Knowledge and experienced design: Dixon™ electronic staff are seasoned veterans when it comes to overfill systems. Our employees have years of experience in electronics, manufacturing and most important, with in-the-field trouble shooting of overfill terminal and tanker installations. That is why we have focused on easy, drop-in replacement features with improved probe life, and why we have included heavy duty hardware made from premium, corrosion resistant materials.
- Trouble free probes and sensors: FloTech™ brand probes/sensors do not use epoxy bonded prisms as a means to seal the prism. Therefore, they are not subject to malfunction due to epoxy/prism interface separation. FloTech™ brand probes/sensors incorporate a double elastomer design which seals and secures the sensitive optic prism tip. The elastomer seals are flexible allowing thermal expansion and resistance to steam cleaning and petroleum chemical attack.



Customer Support
877.582.3569

- "Best in Class" technical support: Our goal is to provide the most reliable overfill components and system available on the market today. Over the years the FloTech™ brand has earned a reputation for reliable overfill components compatible with other common systems. Don't take our word on this; ask one of our many customers!
- Easy Installation: FloTech™ brand items are shipped with easy to follow installation instructions and manuals (also available online at dixonvalve.com under the Resources menu, select Petroleum and Dry bulk products). If you need a little extra help call our North American toll free technical service hot line at 877.582.3569 (or from other parts of the world, dial 001-513-874-8499). In fact, call us with any overfill system questions (regardless of the brand) and we will work with you to help solve the problem. FloTech™ brand components are manufactured to be installed easily, even on other systems. We designed them to be drop-in compatible with API systems being used around the world.
- Products in stock, delivered on time: FloTech™ brand products are stocked at Dixon™ locations throughout the world. Most orders can be processed and delivered within 24 hours. We know that downtime costs you money so we do everything we can to ensure you receive your parts when you need them.
- A great product with an unparalleled warranty: FloTech™ brand products are covered by a five year limited warranty. The warranty is part of the total system that makes FloTech™ overfill detection the best choice for you operation. See limited warranty on page 169 for details.
- Biofuel compatible: up to E100 (100% Ethanol) and B100 (100% Bio Diesel). For detailed fuel compatibility, please refer to the chart shown on page 4.



Product instruction sheets and technical data can be viewed on our website at dixonvalve.com

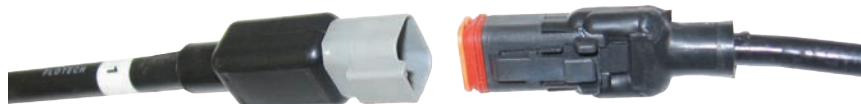
GOODYEAR
GOODYEARBELTING.COM

Call Toll Free: 1-866-711-4673
International: + 1-727-342-5086

We Ship
World Wide

Fuel Tanker Overfill Detection

FloTech™ Checkmate Overfill/Retain Plug-n-Play System



Application:	The reason for many overfill system breakdowns is failed or poor wiring connections. The required amperage within the overfill system is so low that any poorly wired or corroded wiring connections tend to fail (the low current cannot pass through corrosion or poor connections). To remove the possibility of wiring system problems, Dixon™ has introduced the FloTech™ Plug-n-Play system, all the wire connections are prewired and tested at the factory using high quality weather proof cables and plugs. Plug-n-Play system installation takes a fraction of the time to install when compared to conventional systems, just mount all the components and simply plug them all together.
Standards:	Manufactured to American Petroleum Institute standard API RP-1004, which allows for interchangeability.
Materials:	Dependent upon the component, see each product section for materials
Features & Benefits:	<ul style="list-style-type: none"> • Prewired cables and plugs on sensors, wiring harness', onboard monitor and sockets, make it simple to install our Plug-n-Play system in much less time than conventional systems. • Secure and weather tight connections all the time remove the possibility of poor wiring connections. Sealed connectors pass IP67 and DIN40050 salt spray tests. • Easy installation: literally Plug-n-Play, just mount the components and plug them all together. • Biofuel compatible up to E100 (100% Ethanol) and B100 (100% bio diesel)

Monitors with Integrated Dual Sockets



Features and Benefits:

- Integrated Optic and Thermistor dual sockets with onboard monitor all in one aluminum case
- Takes less space than utilizing separate sockets and monitor
- Prewired and factory tested with Plug-n-Play cabling and plugs, eliminates hours of manual crimped wire connections and removes the problems and worries associated with connection problems.
- Includes water-tight integrated fuse holder, all stainless steel hardware and terminal blocks prevent corrosion
- Built-in configurable high current relay output for pump or signal control
- Color coded display shows well on trailers
- Sockets come standard with FloTech™ unique guaranteed for life stainless steel wear rings.

Available Integrated Options:

- Top (overfill) only monitoring, or both top (overfill) and bottom (retain) monitoring
- Pre-wired ground bolt
- Pre-wired pressure sensor which can be used to interlock brakes or vapor vents
- Pre-wired TIM module
- Pre-wired dual male pin power cord

Product instruction sheets and technical data can be viewed on our website at dixonvalve.com

Fuel Tanker Overfill Detection

FloTech™ Checkmate Overfill/Retain Plug-n-Play System Monitors with Integrated Dual Sockets (continued)



Overfill
Products

Part #	Plug-n-Play Connections		Available Accessories Installed					Sockets	
	Top Overfill Detection	Bottom Retain Detection	Ground Bolt	Pressure Sensor Switch	TIM Module	Dual Male Pin - Power Cord	Stainless Steel 'Guaranteed for Life' Wear Rings	Optic	Thermistor
FT208-390P	Yes	No	No	No	No	No	Standard	6 contact pins, 3 "J" slots	10 contact pins, 4 "J" slots
FT208-390PG	Yes	No	Yes	No	No	No	Standard		
FT208-390PGS	Yes	No	Yes	Yes	No	No	Standard		
FT208-390PGST	Yes	No	Yes	Yes	Yes	No	Standard		
FT208-390PGT	Yes	No	Yes	No	Yes	No	Standard		
FT208-390PGSO	Yes	No	Yes	Yes	No	Yes	Standard		
FT208-390PGSTO	Yes	No	Yes	Yes	Yes	Yes	Standard		
FT208-390PP	Yes	Yes	No	No	No	No	Standard		
FT208-390PPG	Yes	Yes	Yes	No	No	No	Standard		
FT208-390PPGS	Yes	Yes	Yes	Yes	No	No	Standard		
FT208-390PPGST	Yes	Yes	Yes	Yes	Yes	No	Standard		
FT208-390PPGT	Yes	Yes	Yes	No	Yes	No	Standard		
FT208-390PPGSO	Yes	Yes	Yes	Yes	No	Yes	Standard		
FT208-390PPGSTO	Yes	Yes	Yes	Yes	Yes	Yes	Standard		
FT208-391P	Yes	No	No	No	No	No	Standard	6 contact pins, 4 "J" slots	10 contact pins 4 "J" slots
FT208-391PG	Yes	No	Yes	No	No	No	Standard		
FT208-391PGS	Yes	No	Yes	Yes	No	No	Standard		
FT208-391PGST	Yes	No	Yes	Yes	Yes	No	Standard		
FT208-391PGT	Yes	No	Yes	No	Yes	No	Standard		
FT208-391PP	Yes	Yes	No	No	No	No	Standard		
FT208-391PPG	Yes	Yes	Yes	No	No	No	Standard		
FT208-391PPGS	Yes	Yes	Yes	Yes	No	No	Standard		
FT208-391PPGST	Yes	Yes	Yes	Yes	Yes	No	Standard		
FT208-391PPGT	Yes	Yes	Yes	No	Yes	No	Standard		

See pages 129 and 130 for repair kits and replacement parts.

Product instruction sheets and technical data can be viewed on our website at dixonvalve.com

GOODYEAR
GOODYEARBELTING.COM

Call Toll Free: 1-866-711-4673
International: +1-727-342-5086

**We Ship
World Wide**

Fuel Tanker Overfill Detection

FloTech™ Checkmate Overfill/Retain Plug-n-Play System Stand Alone Monitors



Features and Benefits:

- Prewired and factory tested with Plug-n-Play cabling and plugs, eliminates hours of manual crimped wire connections, and removes the problems and worries associated with connection problems.
- Includes water-tight integrated fuse holder, all stainless steel hardware and terminal block within the aluminum housing.
- High tech color coded display shows well on trailers
- Monitors include advanced diagnostic capabilities as well as signal translation abilities for all socket types (optic, thermistor or float). The system offers true load at any rack compatibility.

Available Integrated Options:

- Top (overfill) only monitoring, or both top (overfill) and bottom (retain) monitoring

Part #	Description
FT208P	Checkmate monitor with Plug-n-Play connectors, top overfill protection only
FT208PP	Checkmate monitor with Plug-n-Play connectors, top overfill and bottom retain detection
FT208PPC	Checkmate monitor with Plug-n-Play connectors, top overfill and bottom retain detection, for Canadian 'B' trains
FT208PSS	Checkmate monitor with Plug-n-Play connectors, dual pressure switches
FT208LCM	Checkmate monitor with Plug-n-Play connectors, dual pressure switches
FT220	Alarm module with sonalert
FT295	Alarm interface module assembly

NEW

See page 131 for repair kits and replacement parts.

Stand Alone Socket Assemblies



FT390PG-20

Features and Benefits:

- Prewired and factory tested with Plug-n-Play cabling and plugs, eliminates hours of manual crimped wire connections, and removes the problems and worries associated with connection problems.
- Aluminum housings, with either aluminum hardcoat or stainless steel wear rings, stainless steel contact pins.
- Dual and triple socket assemblies **take less space** than multiple single sockets.

Available Integrated Options:

- Pre-wired internal ground wire (dual or triple socket assemblies)
- Pre-wired TIM module (dual or triple socket assemblies)
- FT300P and FT301P sockets are available with FloTech™ unique guaranteed for life stainless steel wear rings as options. Plug-n-Play dual and triple sockets come standard with guaranteed for life stainless steel wear rings.

Part #	Description
FT300P	Single socket with Plug-n-Play connector. API Optic, 6 contact pins and 3 J slots (U.S.)
FT300PG	Single socket with Plug-n-Play connector. API Optic, 6 contact pins and 3 J slots (U.S.). With internal ground wire.
FT301P	Single socket with Plug-n-Play connector. API Thermistor, 8 contact pins and 4 J slots (U.S.)
FT306P	Single socket with Plug-n-Play connector. Optic J560 type
FT390PG-20	Dual socket assembly with Plug-n-Play connector on 20 ft cable. API Optic, 6 contact pins and 3 J slots, and Thermistor, 10 contact pins and 4 J slots. Internal ground wire. Guaranteed for life stainless steel wear rings included. (U.S.)
FT394P	Triple socket assembly with Plug-n-Play connector. API Optic, 6 contact pins and 3 J slots, Thermistor, 10 contact pins and 4 J slots, and Optic J560 type. Guaranteed for life stainless steel wear rings included. (U.S.)
FT394PG	Triple socket assembly with Plug-n-Play connector. API Optic, 6 contact pins and 3 J slots, Thermistor, 10 contact pins and 4 J slots, and Optic J560 type. With internal ground wire. Guaranteed for life stainless steel wear rings included. (U.S.)
FT394VP	Triple socket assembly in a vertical socket arrangement with Plug-n-Play connector. API Optic, 6 contact pins and 3 J slots, Thermistor, 10 contact pins and 4 J slots, and Optic J560 type. Guaranteed for life stainless steel wear rings included. (U.S.)
FT394VPG	Triple socket assembly in a vertical socket arrangement with Plug-n-Play connector. API Optic, 6 contact pins and 3 J slots, Thermistor, 10 contact pins and 4 J slots, and Optic J560 type. With internal ground wire. Guaranteed for life stainless steel wear rings included. (U.S.)
FT395P-20	Triple socket assembly with Plug-n-Play connector on 20' cable. Optic, 6 contact pins and 4 J slots, Thermistor, 10 contact pins and 4 J slots, and Optic J560 type. Guaranteed for life stainless steel wear rings included. (Canada)
FT395PG-20	Triple socket assembly with Plug-n-Play connector on 20' cable. Optic, 6 contact pins and 4 J slots, Thermistor, 10 contact pins and 4 J slots, and Optic J560 type. With internal ground wire. Guaranteed for life stainless steel wear rings included. (Canada)
FT391P-20	Dual socket Plug-n-Play assembly with 4-J slots; 20 feet of Plug-n-Play cable
FT391PG-20	Dual socket Plug-n-Play assembly with 4-J slots and internal ground wire; 20 feet of Plug-n-Play cable

Fuel Tanker Overfill Detection

FloTech™ Checkmate Overfill/Retain Plug-n-Play System Overfill Sensors



Features and Benefits:

- Overfill detection sensors are intended to detect a pending overfill condition inside the fuel tank compartment. When they are wetted (come in contact with the fuel) they signal the fuel loading rack to close the fuel supply control valve, to prevent a spill of product.
- Prewired and factory tested with Plug-n-Play cabling and plugs, eliminates hours of manual crimped wire connections, and removes the problems and worries associated with connection problems. Easy to install, just mount the housing into the tank and plug the cables together.
- Trouble free probes: FloTech™ brand probes incorporate a double elastomer design which seals and secures the sensitive glass optic prism tip. The elastomer seals are flexible allowing thermal expansion and resistance to steam cleaning and petroleum chemical attack.
- Custom lengths available upon request
- The FT151P series sensor housing contains a Plug-n-Play probe in a cast aluminum housing. The sensor housing has a 2" NPT mounting thread, heavy duty stainless steel hardware, and FKM probe seal. Install into either a 2" NPT threaded port or a 2 $\frac{3}{8}$ " diameter tank opening using the gasket and locking nut provided. All screws and rings are heavy duty stainless steel for easy assembly and long life.

Part #	Description
FT151P	Housing with 7" Plug-n-Play overfill detection probe, with Plug-n-Play harness connector
FT151P-12	Housing with 12" Plug-n-Play overfill detection probe, with Plug-n-Play harness connector
FT151P-18	Housing with 18" Plug-n-Play overfill detection probe, with Plug-n-Play harness connector

Replacement Probes

Part #	Description
FT150P	Replacement 7" Plug-n-Play probe with Plug-n-Play harness connector
FT150P-12	Replacement 12" Plug-n-Play probe with Plug-n-Play harness connector
FT150P-18	Replacement 18" Plug-n-Play probe with Plug-n-Play harness connector

See page 138 for repair kits and replacement parts.

Retain Sensors



Features and Benefits:

- Retain sensors inform the loading terminal if the tank compartments are empty, or if there is product left in the tank prior to re-loading the tank (product has been retained).
- Prewired and factory tested with Plug-n-Play cabling and plugs, eliminates hours of manual crimped wire connections, and removes the problems and worries associated with connection problems. Easy to install, just mount the housing into the tank and plug the cables together.
- Trouble Free Probes: FloTech™ brand probes/sensors incorporate a double elastomer design which seals and secures the sensitive optic prism tip. The elastomer seals are flexible allowing thermal expansion and resistance to steam cleaning and petroleum chemical attack.
- The FT152 sensor is a bottom retain detection sensor. Sensor is shipped with a 1/2" NPT weld-on aluminum half coupling for mounting. The main sensor portion is stainless steel to prevent galling in the tank. The wiring box is plastic to prevent corrosion.

Part #	Description
FT152P	Housing with Plug-n-Play retain probe, with Plug-n-Play harness connector

See page 139 for repair kits and replacement parts.

Fuel Tanker Overfill Detection

FloTech™ Checkmate Overfill/Retain Plug-n-Play System Wiring Harnesses



Features and Benefits:

- Prewired and factory tested with Plug-n-Play cabling and plugs, eliminates hours of manual crimped wire connections, and removes the problems and worries associated with connection problems. Easy to install, just mount all the components (sensors, sockets, monitors) onto the tank and plug them into the preconfigured harness.
- Plug-n-Play cable harnesses come preconfigured for the type of tank (truck mounted tanks or for full length tank trailers) the number of tank compartments, standard harnesses have been designed to fit most standard tank configurations.
- Custom length harnesses are available.
- Secure and weather tight connections all the time, remove the possibility of poor wiring connections. Sealed connectors pass IP67 and DIN40050 salt spray tests.

Part #	Description
Overfill detection Plug-n-Play cable harnesses for full length tank trailers	
FT20801	One compartment tank trailer. Overfill detection (top) cable harness with Plug-n-play connections
FT20802	Two compartment tank trailer. Overfill detection (top) cable harness with Plug-n-play connections
FT20803	Three compartment tank trailer. Overfill detection (top) cable harness with Plug-n-play connections
FT20804	Four compartment tank trailer. Overfill detection (top) cable harness with Plug-n-play connections
FT20805	Five compartment tank trailer. Overfill detection (top) cable harness with Plug-n-play connections
FT20806	Six compartment tank trailer. Overfill detection (top) cable harness with Plug-n-play connections
Retain detection Plug-n-Play cable harnesses for full length tank trailers	
FT20801S	One compartment tank trailer. Retain (bottom) cable harness with Plug-n-play connections
FT20802S	Two compartment tank trailer. Retain (bottom) cable harness with Plug-n-play connections
FT20803S	Three compartment tank trailer. Retain (bottom) cable harness with Plug-n-play connections
FT20804S	Four compartment tank trailer. Retain (bottom) cable harness with Plug-n-play connections
FT20805S	Five compartment tank trailer. Retain (bottom) cable harness with Plug-n-play connections
FT20806S	Six compartment tank trailer. Retain (bottom) cable harness with Plug-n-play connections
Overfill detection Plug-n-Play cable harnesses for truck mounted tanks	
FT20801TWS	One compartment truck mounted tank. Overfill detection (top) cable harness with Plug-n-play connections
FT20802TWS	Two compartment truck mounted tank. Overfill detection (top) cable harness with Plug-n-play connections
FT20803TWS	Three compartment truck mounted tank. Overfill detection (top) cable harness with Plug-n-play connections
FT20804TWS	Four compartment truck mounted tank. Overfill detection (top) cable harness with Plug-n-play connections
FT20805TWS	Five compartment truck mounted tank. Overfill detection (top) cable harness with Plug-n-play connections
FT20806TWS	Six compartment truck mounted tank. Overfill detection (top) cable harness with Plug-n-play connections

Product instruction sheets and technical data can be viewed on our website at dixonvalve.com

GOODYEAR
GOODYEARBELTING.COM

Call Toll Free: 1-866-711-4673
International: +1-727-342-5086

**We Ship
World Wide**

Fuel Tanker Overfill Detection

Checkmate Overfill Detection Systems (Top Detection Only)

Features & Benefits:

- FloTech™ brand overfill system kits provide everything needed to install a new overfill system on your tank. One to eight compartment kits are available from our inventory. Systems include: 1 FT208 monitor, 1 FT151 overfill sensor per compartment, FT404 cable and FT402 strain reliefs (cable glands).
- Other probe lengths are available



Part #	Description
FT2801	Checkmate, 1 compartment system (top only)
FT2802	Checkmate, 2 compartment system (top only)
FT2803	Checkmate, 3 compartment system (top only)
FT2804	Checkmate, 4 compartment system (top only)
FT2805	Checkmate, 5 compartment system (top only)
FT2806	Checkmate, 6 compartment system (top only)
FT2807	Checkmate, 7 compartment system (top only)
FT2808	Checkmate, 8 compartment system (top only)
FT2801-12	Checkmate, 1 compartment system (top only) - 12" probes
FT2802-12	Checkmate, 2 compartment system (top only) - 12" probes
FT2803-12	Checkmate, 3 compartment system (top only) - 12" probes
FT2804-12	Checkmate, 4 compartment system (top only) - 12" probes
FT2805-12	Checkmate, 5 compartment system (top only) - 12" probes
FT2806-12	Checkmate, 6 compartment system (top only) - 12" probes
FT2807-12	Checkmate, 7 compartment system (top only) - 12" probes
FT2808-12	Checkmate, 8 compartment system (top only) - 12" probes

Please refer to chart on pages 61 - 64 for cross references to other manufacturer part numbers.

FloTech™ Checkmate Overfill/Retain Black and White 2 Wire System Checkmate Overfill and Retain Detection Systems

Features and Benefits:

- FloTech™ brand overfill system kits provide everything needed to install a new overfill system on your tank. One to eight compartment kits are available from our inventory. Systems include: 1 FT208 monitor, 1 FT151 overfill sensor and 1 FT152 retain sensor per compartment, FT404-150 cable and FT403 strain reliefs (cable glands).
- Other probe lengths are available



Part #	Description
FT2811	Checkmate, 1 compartment system (overfill & retain)
FT2812	Checkmate, 2 compartment system (overfill & retain)
FT2813	Checkmate, 3 compartment system (overfill & retain)
FT2814	Checkmate, 4 compartment system (overfill & retain)
FT2815	Checkmate, 5 compartment system (overfill & retain)
FT2816	Checkmate, 6 compartment system (overfill & retain)
FT2817	Checkmate, 7 compartment system (overfill & retain)
FT2818	Checkmate, 8 compartment system (overfill & retain)
FT2811-12	Checkmate, 1 compartment system (overfill & retain) - 12" probes
FT2812-12	Checkmate, 2 compartment system (overfill & retain) - 12" probes
FT2813-12	Checkmate, 3 compartment system (overfill & retain) - 12" probes
FT2814-12	Checkmate, 4 compartment system (overfill & retain) - 12" probes
FT2815-12	Checkmate, 5 compartment system (overfill & retain) - 12" probes
FT2816-12	Checkmate, 6 compartment system (overfill & retain) - 12" probes
FT2817-12	Checkmate, 7 compartment system (overfill & retain) - 12" probes
FT2818-12	Checkmate, 8 compartment system (overfill & retain) - 12" probes

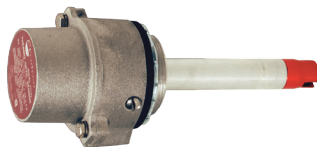
Please refer to chart on pages 61 - 64 for cross references to other manufacturer part numbers.

Fuel Tanker Overfill Detection

FloTech™ Checkmate Overfill/Retain Black & White 2 Wire System Monitor, Overfill Sensors, Replacement Probes and Retain Sensors



FT208



FT151



FT152

Checkmate Onboard Monitors

Features and Benefits:

- Easy to follow programming guide for up to eight compartments top only or top and bottom service with the same monitor
- Monitor can be programmed up to 100,000 times without sending it back to the factory
- Stainless steel terminal blocks resist rusting of contacts
- Stainless steel hardware is used on all products
- Powder coated color matched components for exceptional appearance
- Auxiliary input for Hobbs type switches
- Power control relay output
- Drop-in compatibility with competitors products, see compatibility chart on pages 61 - 64.
- Wide input power 12-24 VDC
- Monitors include advanced diagnostic capabilities as well as signal translation abilities for all socket types (optic, thermistor or float). The system offers true load at any rack compatibility.

Available integrated options:

- Optional FloTech™ Data Link™ feature (patent pending) is only available on Checkmate model onboard monitors. Data Link™ gives maintenance staff the ability to download the performance and diagnostic history of the overfill system. Plug the FloTech™ hand-held diagnostic terminal, into the Checkmate monitor and download to your PC. A time and date stamped report is generated, showing the history of every wetted or failed sensor, rack connection, auxiliary input and load/unload data.

See page 144 for repair kits and replacement parts.
Please refer to chart on pages 61 - 64 for cross references to other manufacturer part numbers.

Part #	Description
FT208	Checkmate programmable monitor and housing
FT207	Checkmate programmable replacement monitor only (no housing)

Overfill Detection Sensors

Features and Benefits:

- The FloTech™ thermo-optic 2 wire probe is electronically and mechanically compatible for drop-in replacement of other commonly used 2-wire probes with black and white wires. Providing the fast response and reliability of optic technology in a thermistor application.
- Custom probe lengths available upon request
- The sensor housing contains a black and white 2 wire probe in a cast aluminum housing. The sensor housing has a 2" NPT mounting thread, heavy duty stainless steel hardware, and FKM probe seal. Install into either a 2" NPT threaded port or 2-3/8" diameter tank opening using the gasket and locking nut provided.

Part #	Description
FT151	Housing with 7" black and white 2 wire overfill detection probe
FT151-12	Housing with 12" black and white 2 wire overfill detection probe
FT151-18	Housing with 18" black and white 2 wire overfill detection probe

Replacement Probes

Part #	Description
FT150	Replacement 7" black and white 2 wire overfill detection probe
FT150-12	Replacement 12" black and white 2 wire overfill detection probe
FT150-18	Replacement 18" black and white 2 wire overfill detection probe

Retain Sensors

Features and Benefits:

- Retain sensors inform the loading terminal if the tank compartments are empty, or if there is product left in the tank prior to re-loading the tank (product has been retained).
- Sensor is shipped with a 1/2" NPT weld-on aluminum half coupling for mounting. The main sensor portion is stainless steel to prevent galling in the tank. The wiring box is nylon to prevent corrosion and is removable to facilitate installation. Our three port housing design is compatible with previous inline and parallel dual port housing.

Part #	Description
FT152	Housing with black and white 2 wire retain probe (see page 141 for repair kits and replacement parts)

Fuel Tanker Overfill Detection

FloTech™ R/OM Type Overfill Detection Systems (Top Detection Only)



Features and Benefits:

- FloTech™ brand overfill system kits provide everything needed to install a new overfill system on your tank. One to six compartment kits are available from our inventory. Systems include: 1 FT204P monitor, 1 FT202 overfill sensor per compartment, FT401 (100') cable and FT402 (20 pieces) strain reliefs (cable glands). Sockets, inline fuse and instruction booklet sold separately.
- Other probe lengths are available

Part #	Description
FT2101	R/OM type, 1 compartment system (top only)
FT2102	R/OM type, 2 compartment system (top only)
FT2103	R/OM type, 3 compartment system (top only)
FT2104	R/OM type, 4 compartment system (top only)
FT2105	R/OM type, 5 compartment system (top only)
FT2106	R/OM type, 6 compartment system (top only)
FT2101-12	R/OM type, 1 compartment system (top only) - 12" probes
FT2102-12	R/OM type, 2 compartment system (top only) - 12" probes
FT2103-12	R/OM type, 3 compartment system (top only) - 12" probes
FT2104-12	R/OM type, 4 compartment system (top only) - 12" probes
FT2105-12	R/OM type, 5 compartment system (top only) - 12" probes
FT2106-12	R/OM type, 6 compartment system (top only) - 12" probes

FloTech™ R/OM Type Overfill and Retain Red and Black 2 Wire Systems



Features and Benefits:

- FloTech™ brand overfill system kits provide everything needed to install a new overfill system on your tank. One to six compartment kits are available from our inventory. Systems include: 1 FT204P monitor, 1 FT202 overfill sensor and 1 FT206 retain sensor per compartment, FT401 (100') cable and FT403 (30 pieces) strain reliefs (cable glands). Sockets, inline fuse and instruction booklet sold separately.
- Other probe lengths are available

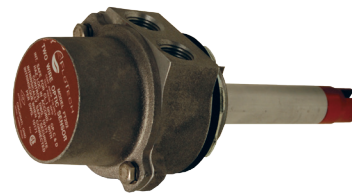
Part #	Description
FT2001	R/OM type, 1 compartment system (overfill and retain)
FT2002	R/OM type, 2 compartment system (overfill and retain)
FT2003	R/OM type, 3 compartment system (overfill and retain)
FT2004	R/OM type, 4 compartment system (overfill and retain)
FT2005	R/OM type, 5 compartment system (overfill and retain)
FT2006	R/OM type, 6 compartment system (overfill and retain)
FT2001-12	R/OM type, 1 compartment system (overfill and retain) - 12" probes
FT2002-12	R/OM type, 2 compartment system (overfill and retain) - 12" probes
FT2003-12	R/OM type, 3 compartment system (overfill and retain) - 12" probes
FT2004-12	R/OM type, 4 compartment system (overfill and retain) - 12" probes
FT2005-12	R/OM type, 5 compartment system (overfill and retain) - 12" probes
FT2006-12	R/OM type, 6 compartment system (overfill and retain) - 12" probes

Fuel Tanker Overfill Detection

FloTech™ R/OM Type Onboard Monitors and Overfill Sensors



FT204P



FT202

Checkmate R/OM Type Onboard Monitors

Features and Benefits:

- Easy to follow programming guide for up to six compartments top only or top and bottom service with the same monitor
- Monitor can be programmed up to 100,000 times without sending it back to the factory.
- As the monitor is programmed for the number of compartments, terminators are not required.
- Stainless steel terminal blocks resist rusting of contacts
- Stainless steel hardware is used on all products
- Powder coated color matched components for exceptional appearance
- Auxiliary input
- Wide input power 12-24 VDC
- Drop-in compatibility with competitors products, see compatibility chart on pages 61 - 64.
- Monitors include advanced diagnostic capabilities as well as signal translation abilities for all socket types (optic, thermistor or float). The system offers true load at any rack compatibility.

Part #	Description
FT204P	FloTech™ R/OM type programable monitor & housing.
FT203P	FloTech™ R/OM type programable replacement monitor only. (no housing)
FT203PSPEC	FloTech™ R/OM type programable replacement monitor with 8-hole cover. (no housing)

FloTech™ R/OM Type Overfill Sensors

Features and Benefits:

- Overfill detection sensors are intended to detect a pending overfill condition inside the fuel tank compartment. When they are wetted (come in contact with the fuel) they signal the fuel loading rack to close the fuel supply control valve, to prevent a spill of product.
- The FloTech™ optic 2 wire probe is electronically and mechanically compatible for drop-in replacement of other commonly used 2-wire probes with red and black wires, such as the Civacon ROM system.
- All FloTech™ brand probes are trouble free probes they come with a unique dual elastomer seal for the glass optic prisms. The elastomer seals are flexible allowing thermal expansion and resistance to steam cleaning and temperature changes, along with resistance to petroleum chemical attack. The replacement probes have a smooth tapered tip design for easy replacement installation into the sensor housing without gasket damage.
- Custom probe lengths available upon request
- The sensor housing contains a red and black 2 wire probe, in a cast aluminum housing. The sensor housing has a 2" NPT mounting thread, heavy duty stainless steel hardware, and FKM probe seal. Install into either a 2" NPT threaded port or 2½" diameter tank opening using the gasket and locking nut provided. All screws and rings are heavy duty stainless steel for easy assembly and long life.

Part #	Description
FT202	Housing with 7" red and black 2 wire overfill detection probe
FT202-12	Housing with 12" red and black 2 wire overfill detection probe
FT202-18	Housing with 18" red and black 2 wire overfill detection probe

Replacement Probes

Part #	Description
FT201	Replacement 7" red and black 2 wire overfill detection probe
FT201-12	Replacement 12" red and black 2 wire overfill detection probe
FT201-18	Replacement 18" red and black 2 wire overfill detection probe

Fuel Tanker Overfill Detection

FloTech™ R/OM Type Overfill/Retain Red and Black 2 Wire Systems

Retain Sensors



FT206

Features and Benefits:

- The FT206 sensor is a retain detection sensor. Sensor is shipped with a ½" NPT weld-on aluminum half coupling for mounting. The main sensor portion is stainless steel to prevent galling in the tank. The wiring box is plastic to prevent corrosion and is removable to facilitate installation. The side ports come out of the same side (like the overfill sensors) to make wiring easier. The FT206 is compatible with Civacon model 1000 and the Civacon R/OM System. Our three port housing design is compatible with previous inline and parallel dual port housings.
- Trouble free probes: FloTech™ brand probes/sensors incorporate a double elastomer design which seals and secures the sensitive optic prism tip. The elastomer seals are flexible allowing thermal expansion and resistance to steam cleaning and petroleum chemical attack.

Part #	Description
FT206	Housing with red and black 2 wire retain probe

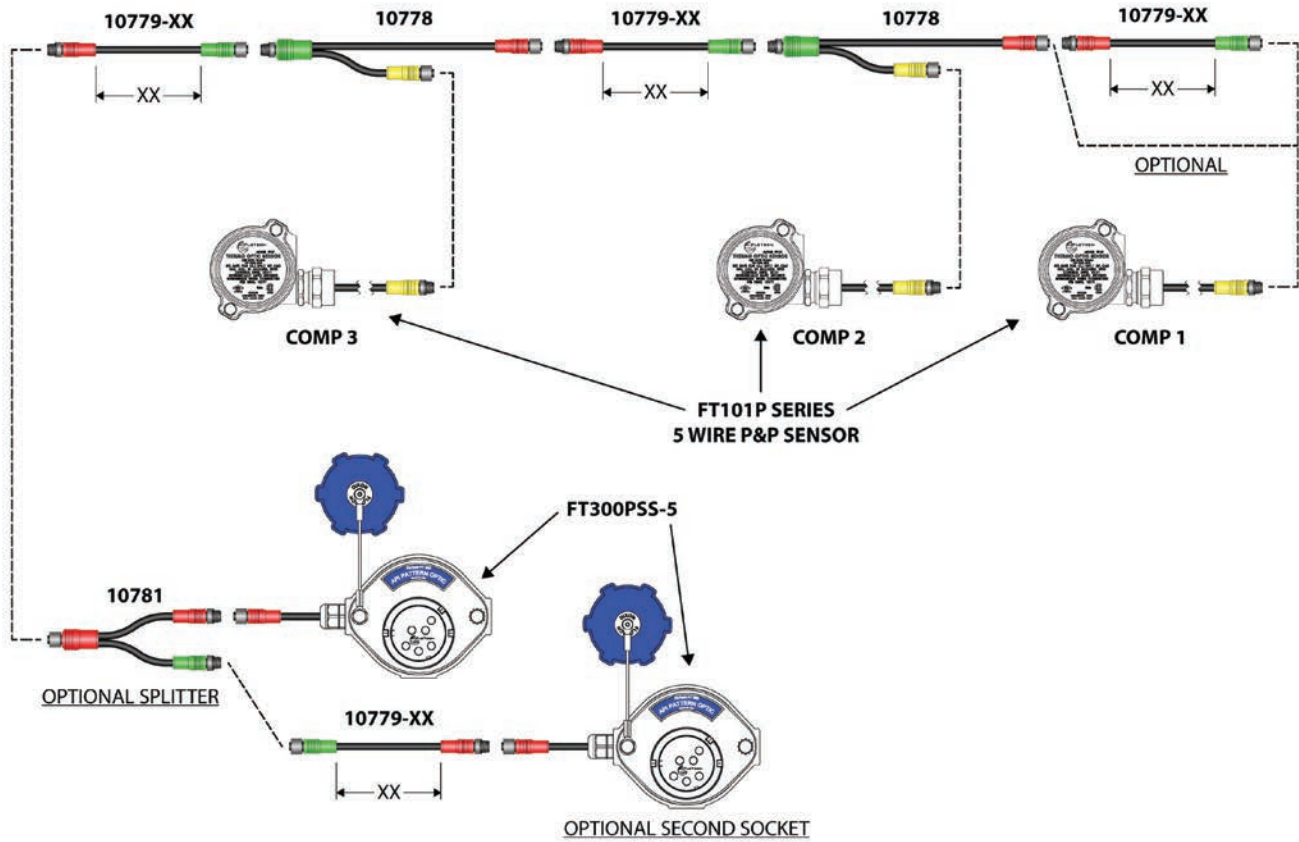
See page 141 for repair kits and replacement parts.

Please refer to chart on pages 61 - 64 for cross references to other manufacturer part numbers.

Fuel Tanker Overfill Detection

5 Wire Plug-n-Play

NEW



Overfill Products

Features & Benefits:

- Simply match like color coded connectors
- No crimp connections
- No complex schematics
- No incorrect wiring connections
- No time wasted troubleshooting failed systems.
- Modular color coded connector system
- Flexible length cables fit any tank configuration
- Weather-tight industrial grade connectors maintenance free system
- Replacements in stock

10779-XX	Inches
10779-20	20"
10779-40	40"
10779-60	60"
10779-120	120"
10779-240	240"
10779-360	360"
10779-480	480"
10779-600	600"




Call Toll Free: 1-866-711-4673
International: +1-727-342-5086



Fuel Tanker Overfill Detection

FloTech™ API Optic 5 Wire Overfill Detection Systems

Application:	The FloTech™ API Optic 5 wire system is perfectly suited for both new and existing tank installations. The components have a long list of features which make them more reliable than competitor products; the result is years of trouble free service. The FloTech™ API Optic 5 wire system is a conventionally wired system, which requires wiring connections to be made using crimp connectors. If a simple plug together system is desired, please see our Checkmate Plug-n-Play system as shown on pages 36 - 40.
Standards:	Compatible with the Scully brand 5 wire optic system. The components are drop-in replacements and compatible with the signal format required by Scully brand API Optic 5 wire on-board monitors.
Materials:	Dependent upon the component, see each product section for materials
Features & Benefits:	<ul style="list-style-type: none"> • See the features and benefits of each of the system components • Biofuel compatible up to E100 (100% Ethanol) and B100 (100% bio diesel) 

FloTech™ API Optic Overfill 5 Wire Systems (Top Detection Only)



Features and Benefits:

- FloTech™ brand overfill system kits provide everything needed to install a new overfill system on your tank. One to six compartment kits are available from our inventory. Systems include: 1 FT103 monitor, 1 FT101 overfill sensor per compartment, FT400 cable and FT402 strain reliefs (cable glands).
- Other probe lengths are available

Part #	Description
FT1001	API optic 5 wire, 1 compartment overfill detection system (top only)
FT1002	API optic 5 wire, 2 compartment overfill detection system (top only)
FT1003	API optic 5 wire, 3 compartment overfill detection system (top only)
FT1004	API optic 5 wire, 4 compartment overfill detection system (top only)
FT1005	API optic 5 wire, 5 compartment overfill detection system (top only)
FT1006	API optic 5 wire, 6 compartment overfill detection system (top only)
FT1001-12	API optic 5 wire, 1 compartment overfill detection system (top only) - 12" probes
FT1002-12	API optic 5 wire, 2 compartment overfill detection system (top only) - 12" probes
FT1003-12	API optic 5 wire, 3 compartment overfill detection system (top only) - 12" probes
FT1004-12	API optic 5 wire, 4 compartment overfill detection system (top only) - 12" probes
FT1005-12	API optic 5 wire, 5 compartment overfill detection system (top only) - 12" probes
FT1006-12	API optic 5 wire, 6 compartment overfill detection system (top only) - 12" probes

Please refer to chart on pages 61 - 64 for cross references to other manufacturer part numbers.

Product instruction sheets and technical data can be viewed on our website at dixonvalve.com

GOODYEAR
GOODYEARBELTING.COM

Call Toll Free: 1-866-711-4673
International: +1-727-342-5086

We Ship
World Wide

Fuel Tanker Overfill Detection

FloTech™ API Optic 5 Wire System Onboard Monitor



Features and Benefits:

- Stainless steel terminal blocks resist rusting of contacts
- Stainless steel hardware is used on all products
- Powder coated color matched components for exceptional appearance
- Drop-in compatibility with competitors products, see compatibility chart on pages 58 - 62.
- Signal translation ability, allows the connection all socket types (optic, thermistor or float). The system offers true load at any rack compatibility.

Part #	Description
FT103	FloTech™ API Optic 5 wire monitor and housing
FT102	FloTech™ API Optic 5 wire replacement monitor only (no housing)

See page 142 for repair kits and replacement parts

FloTech™ API Optic 5 Wire Overfill Detection System Overfill Sensors



Features and Benefits:

- The FloTech™ API optic 5 wire probe is electronically and mechanically compatible for drop-in replacement of other commonly used 5 wire probes.
- Custom probe lengths available upon request
- The sensor housing contains a 5 wire probe, in a cast aluminum housing. The sensor housing has a 2" NPT mounting thread, heavy duty stainless steel hardware, and FKM probe seal. Install into either a 2" NPT threaded port or 2-3/8" diameter tank opening using the gasket and locking nut provided.

Part #	Description
FT101	Housing with 7" - 5 wire overfill detection probe
FT101-12	Housing with 12" - 5 wire overfill detection probe
FT101-18	Housing with 18" - 5 wire overfill detection probe

Replacement Probes

Part #	Description
FT100	Replacement 7" - 5 wire overfill detection probe
FT100-12	Replacement 12" - 5 wire overfill detection probe
FT100-18	Replacement 18" - 5 wire overfill detection probe

See page 140 for repair kits and replacement parts.

Please refer to chart on pages 61 - 64 for cross references to other manufacturer part numbers.

Fuel Tanker Overfill Detection

Stainless Steel Black and White 2 Wire Probes and Sensor Housings



Features and Benefits:

- The FloTech™ stainless steel probes and sensor housings are designed to be used with chemicals. All wetted services are 316 stainless or PTFE. These probes are designed to thread onto a DOT 407 tank 3" clean out nipple.
- All FloTech™ brand probes are trouble free probes, they come with a unique dual elastomer seal for the glass optic prisms. The elastomer seals are flexible allowing thermal expansion and resistance to steam cleaning and temperature changes, along with resistance to petroleum chemical attack. The replacement probes have a smooth tapered tip design for easy replacement installation into the sensor housing without gasket damage.
- **Custom probe lengths can be available by using 3/4" pipe nipples upon request**

Part #	Description
FT150S	7" 316 stainless steel-black and white 2 wire, overfill detection probe only (no housing)
FT191S	Stainless steel probe housing, 3" female NPS thread (housing only, order probe separately)

See page 141 for repair kits and replacement parts.

Stainless Steel 5 Wire Probes and Sensor Housings



Features and Benefits:

- The FloTech™ stainless steel probes and sensor housings are designed to be used with chemicals. All wetted services are 316 stainless or PTFE. These probes are designed to thread onto a DOT 407 tank 3" clean out nipple. Sensor length can be adjusted using 3/4" NPT pipe nipples.
- All FloTech™ brand probes are trouble free probes: they come with a unique dual elastomer seal for the glass optic prisms. The elastomer seals are flexible allowing thermal expansion and resistance to steam cleaning and temperature changes, along with resistance to petroleum chemical attack. The replacement probes have a smooth tapered tip design for easy replacement installation into the sensor housing without gasket damage.
- Custom probe lengths available upon request

Part #	Description
FT100S	7" 316 stainless steel 5 wire overfill detection probe only (no housing)
FT191S	Stainless steel probe housing, 3" female NPS thread (housing only, order probe separately)

See page 141 for repair kits and replacement parts.

Fuel Tanker Overfill Detection

Single Sockets



Features and Benefits:

- Single face plate sockets have hard coated aluminum alloy J slot wear rings, these ensure a long service life. Also available are single sockets with "guaranteed for life" stainless steel wear rings.
- Stainless steel hardware and contact pins prevent corrosion
- Sockets and caps are color coded with industry standardized colors which allows for easy identification of socket type (optic sockets are blue, thermistor sockets are green, and float sockets are red, colored caps are included for optic and thermistor models only).

Single Sockets with Aluminum Hardcoat J Slot

Part #	Description
FT300	Optic socket API / WOGA, 6 pin and 3 J-slots (US)
FT300GW	Optic Socket API / WOGA, 6 pin and 3 J-Slots with ground wire
FT303	Optic socket, 6 pin and 4 J-slots (US)
FT307	Optic socket, 6 pin and 4 J-slots (Canada)
FT306	Optic socket, J560 pin type
FT301	Thermistor socket, API, 8 pin and 4 J-slots (US)
FT301GW	Thermistor socket, API, 8 pin and 4-J slots with ground wire
FT304	Thermistor socket, 10 pin and 4 J-slots (Canada, Europe)
FT305	Thermistor socket, J560 pin type
FT302	Float, API, J560 pin type socket
Replacement face plates and dust caps	
FT310	API optic face plate assembly, 6 pin, 3-J slots (US)
FT313	Optic pattern contact assembly with thermistor, 6 pin, 4-J slots (US)
FT317	Optic pattern face plate assembly, 6 pin, 4-J slots (Canada)
FT316	Optic replacement face plate, J560 type
FT311	API thermistor face plate assembly, 8 pin, 4-J slots (US)
FT314	Thermistor face plate assembly, 10 pin 4-J slots. (Canada/Europe)
FT315	Thermistor replacement face plate, J560 type
FT320	Replacement blue optic dust cap
FT321	Replacement green thermistor dust cap

Single Sockets with GFL (Guaranteed for Life) Stainless Steel J Slot Wear Rings

GFL series stainless steel nose rings are now available on any configuration J-slot socket that you require. Stainless steel J-slots outlast competitor versions because they are tougher and more corrosion resistant than any other on the market. GFL socket J-slots are so tough that they are "Guaranteed for Life" against wear. US patent 6,824,423.

Part #	Description
FT300SS	Optic socket API / WOGA, 6 pin and 3 J-slots, GFL stainless J slot wear ring (US)
FT300SSGW	Optic socket API / WOGA, 6 pin and 3-J slots, GFL stainless J slot wear ring with ground wire
FT303SS	Optic socket, 6 pin and 4 J-slots, GFL stainless J slot wear ring (US)
FT307SS	Optic socket, 6 pin and 4 J-slots, GFL stainless J slot wear ring (Canada)
FT301SS	Thermistor socket, API, 8 pin and 4 J-slots, GFL stainless J slot wear ring (US)
FT301SSGW	Thermistor socket, API, 8 pin and 4-J slots, GFL stainless J slot wear ring with ground wire
FT304SS	Thermistor socket, 10 pin and 4 J-slot, GFL stainless J slot wear ring (Canada, Europe)
Replacement face plates and dust caps	
FT310SS	API optic face plate assembly, 6 pin, 3-J slots, GFL stainless J slot wear ring (US)
FT313SS	Optic pattern contact assembly, 6 pin, 4-J slots, GFL stainless J slot wear ring (US)
FT317SS	Optic pattern face plate assembly, 6 pin, 4-J slots, GFL stainless J slot wear ring (Canada)
FT311SS	API thermistor face plate assembly, 8 pin, 4-J slots, GFL stainless J slot wear ring (US)
FT314SS	Thermistor face plate assembly 10 pin 4-J slots, GFL stainless J slot wear ring (Canada, Europe)
FT320	Replacement blue optic dust cap
FT321	Replacement green thermistor dust cap

See pages 145 - 147 for repair kits and replacement parts.

Please refer to chart on pages 61-64 for cross references to other manufacturer part numbers.

Fuel Tanker Overfill Detection

EZ-Cept Double and Triple Sockets



FT390



FT394

Features and Benefits:

- Stainless steel hardware and contact pins prevent corrosion
- Sockets and caps are color coded with industry standardized colors which allows for easy identification of socket type (optic sockets are blue, thermistor sockets are green, and float sockets are red, colored caps are included for optic and thermistor models only).
- Guaranteed for Life J-Slots: Our unique stainless steel alloy J-slot ring will probably outlast your trailer.
- Prewired ready for tank installation, no more long hours wiring and troubleshooting your socket connections. Simply bolt to the trailer and connect to the terminal block in the on board monitor.
- Internal ground wire and ID chip ready: Both internal ground wire and ID chip are normally mounted inside the EZ-Cept housing to protect from the corrosive elements. Or if desired, the bolt can be mounted to the trailer frame and the wire connected to the EZ-Cept internal wire terminal.
- Corrosion resistant hard powder coated housing, stainless steel hardware and contacts and our unique keep dry enclosure design keeps your trailer in service and corrosion at bay. Take a close look at FloTech™ EZ-Cept - we challenge you to find a better constructed API socket on the market.
- Patented, the EZ-Cept has so many innovative features it is covered by US patent 6,824,423. Just another example of how FloTech™ is leading the way delivering reliability and innovation to our valued customers.

EZ-Cept Double Sockets

Part #	Description
FT390	Optic 6 pin, 3 J-slot, and thermistor 10 pin, 4 J-slot, horizontal mount, GFL stainless J slot wear rings (US)
FT390V	Optic 6 pin, 3 J-slot, and thermistor 10 pin, 4 J-slot, vertical mount, GFL stainless J slot wear rings (US)
FT390G	Optic 6 pin, 3 J-slot, and thermistor 10 pin, 4 J-slot, horizontal mount, GFL stainless J slot wear rings, internal ground wire (US)
FT390GT	Optic 6 pin, 3 J-slot, and thermistor 10 pin, 4 J-slot, horizontal mount, GFL stainless J slot wear rings, internal ground wire, T.I.M. chip (US)
FT390T	Optic 6 pin, 3 J-slot, and thermistor 10 pin, 4 J-slot, horizontal mount, GFL stainless J slot wear rings, T.I.M. chip (US)
FT390-20	Optic 6 pin, 3 J-slot, and thermistor 10 pin, 4 J-slot, horizontal mount, GFL stainless J slot wear rings, 20' of cable (US)
FT390G-20	Optic 6 pin, 3 J-slot, and thermistor 10 pin, 4 J-slot, horizontal mount, GFL stainless J slot wear rings, internal ground wire, 20' of cable (US)
FT391	Optic 6 pin, 4 J-slot, and thermistor 10 pin, 4 J-slot, horizontal mount, GFL stainless J slot wear rings (Canada)
FT391V	Optic 6 pin, 4 J-slot, and thermistor 10 pin, 4 J-slot, vertical mount, GFL stainless J slot wear rings (Canada)

See pages 148 & 149 for repair kits and replacement parts.

EZ-Cept Triple Sockets

Part #	Description
FT393	Optic 6 pin, 3 J-slot, thermistor 10 pin, 4 J-slot, and float J560, horizontal mount, GFL stainless J slot wear rings (US)
FT394	Optic 6 pin, 3 J-slot, thermistor 10 pin, 4 J-slot, and optic J560, horizontal mount, GFL stainless J slot wear rings (US)
FT394G	Optic 6 pin, 3 J-slot, thermistor 10 pin, 4 J-slot, and optic J560, horizontal mount, internal ground wire, GFL stainless J slot wear rings (US)
FT394V-G	Optic 6 pin, 3 J-slot, thermistor 10 pin, 4 J-slot, and optic J560, vertical mount, internal ground wire, GFL stainless J slot wear rings (US)
FT395	Optic 6 pin, 4 J-slot, thermistor 10 pin, 4 J-slot, and optic J560, horizontal mount, GFL stainless J slot wear rings (Canada)
FT395G	Optic 6 pin, 4 J-slot, thermistor 10 pin, 4 J-slot, and optic J560, horizontal mount, internal ground wire, GFL stainless J slot wear rings (Canada)
FT395V	Optic 6 pin, 4 J-slot, thermistor 10 pin, 4 J-slot, and optic J560, horizontal mount, internal ground wire, GFL stainless J slot wear rings (Canada)
FT395V-G	Optic 6 pin, 4 J-slot, thermistor 10 pin, 4 J-slot, and optic J560, vertical mount, internal ground wire, GFL stainless J slot wear rings (Canada)

See pages 150 & 151 for repair kits and replacement parts.

Please refer to chart on pages 61-64 for cross references to other manufacturer part numbers.

Fuel Tanker Overfill Detection

Grounding Ball and Bolt



FT450



10735



FT451

Part #	Description
FT450	Ground verification bolt
FT451	Ground verification ball
10735	Ground wire

NEW

See page 152 for repair kits and replacement parts.
Please refer to chart on pages 61-64 for cross references to other manufacturer part numbers.

FloTech™ Checkmate Overfill/Retain Black & White 2 Wire System Sensor Dummy



FT205

Part #	Description
FT155	Thermistor sensor dummy (each dummy adds up to 5 compartments)
FT205	R/OM terminator

NEW

Cables and Strain Reliefs

Features & Benefits:

Due to the very low current used in overfill systems it's extremely important to use the correct type of cable. The use of other types of cabling often leads to failed overfill systems due mostly to corroded connections. FloTech™ cable is specially produced with tin plated wire, which when connected correctly using crimp connections, will provide years of trouble free service.



FT400



FT402

Part #	Description	System Type
FT400	100' of 5 conductor cable	5 wire API optic
FT400-500	500' of 5 conductor cable	5 wire API optic
FT400-1000	1000' of 5 conductor cable	5 wire API optic
FT401	100' of 7 conductor cable	Red and black 2 wire R/OM type
FT401-150	150' of 7 conductor cable	Red and black 2 wire R/OM type
FT401-1000	1000' of 7 conductor cable	Red and black 2 wire R/OM type
FT404	100' of 11 conductor cable	Black and white 2 wire Checkmate/Thermistor type
FT404-150	150' of 11 conductor cable	Black and white 2 wire Checkmate/Thermistor type
FT404-1000	1000' of 11 conductor cable	Black and white 2 wire Checkmate/Thermistor type
Cable Strain Reliefs (Glands)		
FT402	20 pc pack of strain relief fittings, 1/2" NPT	
FT403	30 pc pack of strain relief fittings, 1/2" NPT	
FT405-500	500 pc pack of strain relief fittings, 1/2" NPT	
Cable Tools and Supplies		
FT9023	Professional cable stripping tool	
FT9024	Professional cable crimping tool	
FT9021	100 pc pack of crimp connectors	
FT9022	2.8 oz tube of GE RTV103 silicone for sealing crimped wired connections	

Overfill Products

Fuel Tanker Overfill Detection

Optic System Testers

Application:	Used to trouble shoot overfill system circuits
Standards:	Will work with any optic overfill system
Materials:	Durable plastic case, heavy duty cable connectors and test leads
Features & Benefits:	The FT520 optic test kit includes a tester and test lead set to test 5 wire optic pulse, five wire optic probes, two wire optic probes, plug & play optic probes as well as onboard monitor & socket outputs. It uses the same permissive signal verification as an optic rack monitor. Optional FT521, FT522, FT523 optic test plugs are available for an entire trailer Go, No/Go test, 2 9-volt batteries (included)



FT520



FT520WOGA

Part #	Description
FT520	Optic system tester, 5 piece set of test leads, batteries and instructions
FT520CASE	Optional storage case for FT520
FT520WOGA	Optic system tester, with FT521 API optic 6pin and 3 J slot plug, batteries and instructions
FT520WOGACASE	Optional storage case for FT520WOGA
FT521	API optic test plug, six pins and 3 J slots
FT522	Optic test plug, six pins and 2 or 4 J slots (plug fits both 2 and 4 J slot sockets)
FT523	Optic test plug J560 type
10622	Plug-n-Play test lead set
FT9037	Replacement test lead set for FT520

Trailer Identification Module (T.I.M.) Chip Reader



Application:	Designed to read and test Scully type T.I.M. modules mounted inside API compatible overfill sockets.
Features & Benefits:	<ul style="list-style-type: none"> • Designed to read Scully T.I.M. chips • Solid aluminum construction • Backlit LCD display • Interchangeable optic or thermistor J-slot screws • Provides long battery life

Part #	Description
FT530	FT520 Optic system tester, 4 pc set of test leads, batteries and instructions

FloTech™ Truck Tester



Application:	Allows complete testing of ground bolt grounding systems. Tests ground bolt in forward and reverse just like the rack monitor.
Features & Benefits:	<ul style="list-style-type: none"> • Reads TIM modules and displays the serial number on the screen • Automatic mode allows all four tests, or any combination, to run for a complete test of the trailer • LCD screen displays the final test results and a pass/fail indication for easy rapid testing of the overfill system • One man "Wet Test" feature FT555 signal an audible alarm sounding a number of beeps that match the wetted sensor • Microprocessor controlled with designed in flexibility to expand into a number of applications • Requires two D cell flashlight batteries that can be changed through a side battery access door

Part #	Description
FT555	Truck Tester

FloTech™ Trailer Identification Module



Application:	Designed as a drop in replacement for the Scully VIP module, providing you with longer life and reduced costs.
Features & Benefits:	<ul style="list-style-type: none"> • FloTech™ TI Module has the same installation and serial number configuration as the Scully design.

Fuel Tanker Overfill Detection

API Compatible Loading Rack Cords

Application:	API loading rack cords are used to connect the loading rack monitor to the socket on the fuel tanker.
Standards:	Cord sets are interchangeable with Civacon and Scully.
Materials:	Reinforced nylon plugs with stainless steel contact pins and hardware. Heavy duty and highly visible safety orange cord.
Features & Benefits:	<ul style="list-style-type: none"> • FT600 and FT620 are compatible with API thermistor and optic configurations. • Cords available in coiled or straight lengths • Cord features a heavy highly visible safety orange jacket to meet trip hazard requirements. • Cord is bonded mechanically and has superior abrasion and oil resistance. • Plug body is color coded optic blue or thermistor green. • Button contacts are made from 316 stainless steel to prevent corrosion or galling • All wiring is compatible with standard Scully color codes and wiring number configurations. • The 9 pin conductor is shielded to be compatible with the Scully VIP system.

API Optic Cord Assemblies



FT620

Part #	Description
FT620	Blue plug with 6 contact pins and 3 J slots, on a 30' coiled orange cable
FT620S	Blue plug with 6 contact pins and 3 J slots, on a 20' straight orange cable
FT620P	Blue plug with 6 contact pins and 3 J slots on a 30' orange coiled cord and J560 Plug
FT621	Replacement blue plug assembly with 6 contact pins and 3 J slots
FT622	Replacement 30' orange coiled cord, Optic 6 conductor
FT623	Optic plug storage hanger
FT624	Replacement 20' orange straight cord, Optic 6 conductor

API Thermistor Cord Assemblies

Part #	Description
FT600	Green plug with 8 contact pins and 2 J slots, on a 30' coiled orange cable
FT600P	Green plug with 8 contact pins and 2 J slots on a 30' orange coiled cord and 13 pin connector
FT600S	Green plug with 8 contact pins and 2 J slots, on a 20' straight orange cable
FT600C	Green plug with 10 contact pins and 2 J slots, on a 30' coiled orange cable
FT600CP	Green plug with 10 contact pins and 4 J slots, on a 30' coiled orange cable
FT600SC	Green plug with 10 contact pins and 4 J slots, on a 20' straight orange cable
FT601	Replacement green plug assembly with 8 contact pins and 2 J slots
FT601-10	Replacement green plug assembly with 10 contact pins and 4 J slots
FT602	Replacement 30' orange coiled cord, Thermistor 10 conductor
FT603	Thermistor plug storage hanger
FT604	Replacement 20' orange straight cord, Thermistor 10 conductor

See pages 153-154 for repair kits and replacement parts.

Please refer to chart on pages 61-64 for cross references to other manufacturer part numbers.

Reelcraft® Static Discharge Reels

Application:	Used to ground equipment in hazardous atmospheres, such as fuel trucks or carts transferring flammable materials. When properly clamped to ground, the static discharge reel dissipates static electrical buildup, reduces chances of sparking and the potential for explosion.
Features & Benefits:	<ul style="list-style-type: none"> • Supplied with a 3/32" OD steel aircraft cable • DC resistance is approximately one ohm per 50' of steel cable

Part #	Description
G3050	Single 7 x 7 stranded steel grounding wire



Fuel Tanker Overfill Detection

FloTech™ FT151RL ROM Link Replacement Sensor

Application:	The FT151RL is designed to replace the complete ROM Link sensor assembly. Simply remove the Civacon sensor housing from the manhole lid and install the FloTech™ FT151RL or FT151RL-12. Plug the FT151RL into the wiring harness using our connector adapter and the change out is complete.
Standards:	Drop in replacement for the Civacon ROM Link sensors 1554-007 & 1554-0012.
Materials:	Aluminum housing with stainless steel hardware
Features & Benefits:	<ul style="list-style-type: none"> • Trouble free probes: FloTech™ brand probes incorporate a double elastomer design which seals and secures the sensitive glass optic prism tip. The elastomer seals are flexible allowing thermal expansion and resistance to steam cleaning and petroleum chemical attack. • Unlike our competitors, FloTech™ probes do not use internal coil cord connectors which consistently fail in moisture. All FloTech™ Plug-n-Play probes are prewired to our harness connector, which has proven itself in moisture. • FloTech™ sensor housings have a sturdy bolt on cap to better seal out water. • The FT151RL includes an adapter connector to permit interchange between Civacon's Rom link system and the FloTech™ FT150RL sensor. • Custom lengths available upon request • The FT151RL sensor housing contains a Plug-n-Play probe. The sensor housing has a 2" NPT mounting thread, heavy duty stainless steel hardware, and FKM probe seal. Install into either a 2" NPT threaded port or a 2-3/8" diameter tank opening using the gasket and locking nut provided. All screws and rings are heavy duty stainless steel for easy assembly and long life.



FT151RL



FT152RL

Part #	Description
FT151RL	Housing with 7" Plug-n-Play overfill detection probe, with Plug-n-Play harness and ROM link jumper cable connector
FT151RL-12	Housing with 12" Plug-n-Play overfill detection probe, with Plug-n-Play harness and ROM link jumper cable connector
FT152RL	Retain sensor with Plug-n-Play harness and ROM link jumper cable
Replacement Probes	
FT150P	Replacement 7" Plug-n-Play probe for FT151RL only
FT150P-12	Replacement 12" Plug-n-Play probe for FT151RL-12 only
FT152RL	Replacement Plug-n-Play probe for FT152P
10688	Gender adapter
10605PL	Plug-n-Play harness to monitor connector clip

Please refer to chart on pages 61-64 for cross references to other manufacturer part numbers.

Product instruction sheets and technical data can be viewed on our website at diverxvalve.com

GOODYEAR
GOODYEARBELTING.COM

Call Toll Free: 1-866-711-4673
International: +1-727-342-5086

**We Ship
World Wide**

FloTech™ Replacement Parts

Part #	Description	Refer to Page
FT9000	Sensor housing 2" NPT with parallel ports, complete with all hardware	140
FT9000P	Plug-n-Play sensor housing 2" NPT with parallel ports, complete with all hardware	138
FT9001	Complete sensor housing gasket and O-ring kit	138,140
FT9002	Complete sensor housing gasket, O-ring and hardware kit	140
FT9003	Replacement on-board monitor housing	142-143
FT9004	Replacement on-board monitor hardware kit	142-143
FT9005	Replacement on-board bezel five wire (FT103)	142
FT9006	Replacement on-board bezel two wire (FT204)	143
FT9007	Replacement socket rear housing	133-134, 145, 147
FT9008	Replacement socket contact block with pins FT300 Optic series	132, 147
FT9009	Replacement socket contact block with pins FT301 Thermistor series	132, 147
FT9010	Replacement socket contact block with 10 pins FT304 Thermistor series	147
FT9011	Replacement sensor housing cap with screws and lock washers	138, 140
FT9012	Replacement 2" NPT sensor housing lock nut	138, 140
FT9013	Replacement socket faceplate 4J slot, no contact block or hardware	132, 147
FT9019	Faceplate assembly to fit small Scully Load anywhere housing	---
FT9020	Socket pin, screw and crimp lug	132, 147
FT9021	Crimp connector 100 pieces per bag	55
FT9022	GE RTV 103 silicone rubber sealant 2.8 oz. tube	55
FT9023	Stripping tool for cable jacket	55
FT9024	Crimp tool for splice connections	55
FT9025	Terminal pin, 14-16 AWG 100 pieces	55
FT9026	Sensor flat gasket for 2" NPT through punched hole in man lid	106-107,138, 140
FT9027	Sensor housing probe, FKM O-ring	138, 140
FT9028	Gasket for Scully Go Anywhere monitor face plate	---
FT9029	J560 contact block, 7 way	134, 137, 145, 151
FT9030	Fuse holder with ¼ Amp fuse	142
FT9031	Fuse holder with ½ Amp fuse	143-144
FT9032	Socket face plate gasket	134, 145, 147

FloTech™ Replacement Parts (continued)

Part #	Description	Refer to Page
FT9033	Sensor housing, lower no hardware	140
FT9034	Replacement socket face plate 3 J slot, no contact block or hardware	132, 147
FT9035	Program module for FT204P and FT208	130, 131, 143-144
FT9036	FT208 replacement bezel kit	131, 144
FT9037	FT520 test lead set	56
FT9038	Fuse ¼ Amp - for FT103	142
FT9039	Fuse ½ Amp - for FT208 and FT204	131, 143-144
FT9040	Checkmate housing with lid	131, 144
FT9041	Replacement 3-J aluminum socket nose ring	133, 147
FT9042	Replacement 4-J aluminum socket nose ring	133, 147
FT9043	Replacement 3-J stainless socket nose ring	130, 135, 137, 147, 149, 151
FT9044	Replacement 4-J stainless socket nose ring	130, 135, 137, 147, 149, 151
FT9045	Replacement gasket for the FT208 series Checkmate lid	130, 131, 144
FT9046	Bag of 10 replacement socket pins	132, 147
FT9049	Sensor cap O-ring	138, 140
FT9050	Threaded half coupling ½" for retain probe	139, 141
FT9051	Replacement short contact block for FT390/393 Optic 6 pin	130, 135-136, 149, 151
FT9052	Replacement short contact block for FT390/393 Thermistor, 10 pin	130, 135-136, 149, 151
FT9053	Replacement gasket for bezel on monitors FT103/204P	142-143
FT9054	Replacement lid frame for monitors FT103/204P	142-143
FT9059	Replacement face plate and bezel assembly for FT204P	143
FT9061	Replacement contact pin for FT390/393 series socket	130, 135, 137, 147, 149, 151
FT9062	Nose ring assembly, therm, 4J, 10PIN contact block, pin, and hardware for FT390 & FT393	130, 135-136, 149, 151
FT9063	Nose ring assembly, optic, 3J, 6PIN contact block, pin, and hardware for FT390 & FT393	130, 135-136, 149, 151
FT9064	Bezel for FT203P-SPEC	143
FT9065	Bezel gasket for FT203P-SPEC	143
FT9068	Replacement contact block attachment screws and washers (4 each)	130, 132, 135-136, 139, 141, 147, 149, 151

Fuel Tanker Overfill Detection

Competitor Cross Reference Chart

Liquid Level Sensors	FloTech™ Part #	Civacon Part #	Scully Part #	Description
	<i>FT100</i>	1302-007	9209	Replacement probe, optic, 5-wire, 7" long
	<i>FT100-12</i>	1302-0012	9214	Replacement probe, optic, 5-wire, 12" long
	<i>FT100-18</i>	1302-0018	---	Replacement probe, optic, 5-wire, 18" long
	<i>FT100S</i>	1410RS-0060	---	Replacement stainless steel probe, optic, 5-wire, 7" long
	<i>FT101</i>	1112-007 / 1110-007	9208	Sensor, optic, 5-wire, 2" NPT housing, 7" probe
	<i>FT101-12</i>	1112-0012 / 1110-0012	9213	Sensor, optic, 5-wire, 2" NPT housing with 12" probe
	<i>FT101-18</i>	1112-0018 / 1110-0018	---	Sensor, optic, 5-wire, 2" NPT housing with 18" probe
	<i>FT150</i>	1651-007	9409	Replacement probe, thermo-optic, 7" long, 2-wire (black and white)
	<i>FT150-12</i>	1651-0012	9414	Replacement probe, thermo-optic, 12" long, 2-wire (black and white)
	<i>FT150-18</i>	1651-0018	---	Replacement probe, thermo-optic, 18" long, 2-wire (black and white)
	<i>FT151</i>	1551-007	9408	Sensor, thermo-optic, 2" NPT housing, 7" probe, 2-wire (black and white)
	<i>FT151-12</i>	1551-0012	9413	Sensor, thermo-optic, 2" NPT housing, 12" probe, 2-wire (black and white)
	<i>FT151-18</i>	1551-0018	---	Sensor, thermo-optic, 2" NPT housing, 18" probe, 2-wire (black and white)
	<i>FT151RL</i>	1554-007	---	Sensor, ROM Link replacement thermo-optic, 2" NPT housing, 7" probe, 2-wire (black and white)
	<i>FT151RL-12</i>	1554-012	---	Sensor, ROM Link replacement thermo-optic, 2" NPT housing, 12" probe, 2-wire (black and white)
	<i>FT152</i>	---	8819	Thermo optic retain sensor (black and white)
	<i>FT155</i>	1920-5	08298 & 08542	Thermistor dummy, 5 compartment
	<i>FT201</i>	1351-007	---	Replacement R/OM type, 7" top probe, 2-wire (red and black)
	<i>FT201-12</i>	1351-0012	---	Replacement R/OM type, 12" top probe, 2-wire (red and black)
	<i>FT201-18</i>	1351-0018	---	Replacement R/OM type, 18" top probe, 2-wire (red and black)
	<i>FT202</i>	1057-007	---	Top sensor R/OM type, 2" NPT housing, 7" probe, 2-wire (red and black)
	<i>FT202-12</i>	1057-0012	---	Top sensor R/OM type, 2" NPT housing, 12" probe, 2-wire (red and black)
	<i>FT202-18</i>	1057-0018	---	Top sensor R/OM type, 2" NPT housing, 18" probe, 2-wire (red and black)
	<i>FT206</i>	1000R & 1001R	---	Retain sensor R/OM type, 1/2" NPT sensor (red & black)
	<i>FT9000</i>	1355-1355 & 1455-1455	---	Probe housing
On-Board Monitors	FloTech™ Part #	Civacon Part #	Scully Part #	Description
	<i>FT102</i>	3150-3150	8563	Replacement module API compatible
	<i>FT103</i>	3100-3100	8687	API compatible on-board monitor, with housing
	<i>FT203P</i>	3252-3252	---	Replacement module, R/OM type on-board monitor
	<i>FT203PSPEC</i>	3250 & 3252	---	Replacement module, R/OM type on-board monitor with 8 hole cover and frame
	<i>FT204P</i>	3202-3202 & 3202R-3202	---	R/OM type on-board monitor, with housing
	<i>FT207</i>	---	09100 or 09111	Replacement module, Checkmate on-board monitor
	<i>FT208</i>	---	09109 or 09107	Checkmate programmable monitor for top, or top and bottom sensors

Fuel Tanker Overfill Detection

Competitor Cross Reference Chart (continued)

Sockets	FloTech™ Part #	Civacon Part #	Scully Part #	Description
	FT300	4103-4103	7974	API compatible optic socket with cap (6 pin, 3 J-slots)
	FT301	4400-4400	7720	API compatible thermistor socket with cap (8 pin, 2/4 J-slots)
	FT302	4600-4600	8116	API compatible float socket
	FT303	4201-4201	7976	Optic pattern with thermistor J-slots, and cap (6 pin, 2/4 J-slots) (U.S.)
	FT304	4403-4403	7716	Canadian / European thermistor socket with cap (10 pin, 4 J-slots)
	FT305	4500-4500	7681	Thermistor socket, J560 type
	FT306	4300-4300	8199	Optic socket, J560 type
	FT307	4201-4201	7976	Optic pattern with thermistor J-slots, and cap (6 pin, 2/4 J-slots) (Canada)
	FT310	4110-4110	21790	API optic face plate assembly with cap
	FT311	4111-4111	20770	API thermistor face plate assembly with cap
	FT314	---	20768	Canadian / European thermistor replacement face plate with cap
	FT320	4150-4150	8575	Blue optic dust cap
	FT321	4450-4450	8574	Green thermistor dust cap
	FT390	4820L & 4820R	9060	EZ-Cept dual socket assembly
	FT390G	4822L & 4822R	---	EZ-Cept dual socket assembly with ground bolt
Hardware & Systems Testers	FloTech™ Part #	Civacon Part #	Scully Part #	Description
	FT400	2100-2100	22056	5 conductor cable 100'
	FT400-500	2200-2200	---	5 conductor cable 500'
	FT401	2310-2310	27382	7 conductor cable 100'
	FT401-1000	2401-2401	---	7 conductor cable 1000'
	FT401-150	2300-2300	---	7 conductor cable 150'
	FT402	2510-2510	---	20 strain relief fittings, ½" NPT
	FT403	2530-2530	---	30 strain relief fittings, ½" NPT
	FT450	GS1000	8560	Stainless steel grounding bolt
	FT451	---	8274	Stainless steel grounding ball
	FT470	---	08836	TI module
	FT520	1391-1391	---	Optic system tester
	FT521	1396-1396	---	API optic test plug, six pins & 3 J slots
	FT522	1395-1395	---	Optic test plug, six pins & 2 or 4 J slots (plug fits both 2 & 4 J slot sockets)
	FT523	1397-1397	---	Optic test plug J560 type
	FT555	---	08938	Truck tester
API Rack Cords	FloTech™ Part #	Civacon Part #	Scully Part #	Description
API Optic Cord Assemblies				
	FT620	7100SR-7100	21831	Blue plug with 6 contact pins and 3 J slots, on a 30' coiled orange cable
	FT620S	7100-STRAIGHT	21764	Blue plug with 6 contact pins and 3 J slots, on a 20' straight orange cable
	FT620P	7100-J560	---	Blue plug with 6 contact pins and 3 J slots on a 30' orange coiled cord and J560 Plug
	FT621	7110SR-7110	21766	Replacement blue plug assembly with 6 contact pins and 3 J slots
	FT622	7220-7220	31099	Replacement 30' orange coiled cord, Optic 6 conductor
	FT623	7150-7150	---	Optic plug storage hanger
	FT624	---	31098	Replacement 20' orange straight cord, Optic 6 conductor
API Thermistor Cord Assemblies				
	FT600	7300SR-7300	21818	Green plug with 8 contact pins and 2 J slots, on a 30' coiled orange cable
	FT600P	7320SR-7320	---	Green plug with 8 contact pins and 2 J slots on a 30' orange coiled cord and 13 pin connector
	FT600S	7300-STRAIGHT	20830	Green plug with 8 contact pins and 2 J slots, on a 20' straight orange cable
	FT600C	7300CSR-7300	31092	Green plug with 10 contact pins and 4 J slots, on a 30' coiled orange cable
	FT600SC	7300C-STRAIGHT	---	Green plug with 10 contact pins and 4 J slots, on a 20' straight orange cable
	FT601	7310SR-7310	20769	Replacement green plug assembly with 8 contact pins and 2 J slots
	FT601-10	---	8959	Replacement green plug assembly with 10 contact pins and 4 J slots
	FT602	---	31097	Replacement 30' orange coiled cord, Thermistor 10 conductor
	FT603	7350-7350	---	Thermistor plug storage hanger

Fuel Tanker Overfill Detection

Competitor Cross Reference Chart (continued)

On-Board Systems	FloTech™ Part #	Civacon Part #	Scully Part #	Description
	<i>FT1001</i>	2001-2001	---	API compatible 1 compartment system 7" probe
	<i>FT1001-12</i>	2001S-0012	---	API compatible 1 compartment system 12" probe
	<i>FT1002</i>	2002-2002	---	API compatible 2 compartment system 7" probes
	<i>FT1002-12</i>	2002S-0012	---	API compatible 2 compartment system 12" probes
	<i>FT1003</i>	2003-2003	---	API compatible 3 compartment system 7" probes
	<i>FT1003-12</i>	2003S-0012	---	API compatible 3 compartment system 12" probes
	<i>FT1004</i>	2004-2004	8305	API compatible 4 compartment system 7" probes
	<i>FT1004-12</i>	2004S-0012	---	API compatible 4 compartment system 12" probes
	<i>FT1005</i>	2005-2005	8306	API compatible 5 compartment system 7" probes
	<i>FT1005-12</i>	2005S-0012	---	API compatible 5 compartment system 12" probes
	<i>FT1006</i>	2006-2006	---	API compatible 6 compartment system 7" probes
	<i>FT1006-12</i>	2006S-0012	---	API compatible 6 compartment system 12" probes
	<i>FT2001</i>	3021-3021	---	R/OM type, 1 compartment system, overfill & retain, 7" probe
	<i>FT2001-12</i>	3021S-0012	---	R/OM type, 1 compartment system, overfill & retain, 12" probe
	<i>FT2002</i>	3022-3022	---	R/OM type, 2 compartment system, overfill & retain, 7" probes
	<i>FT2002-12</i>	3022S-0012	---	R/OM type, 2 compartment system, overfill & retain, 12" probes
	<i>FT2003</i>	3023-3023	---	R/OM type, 3 compartment system, overfill & retain, 7" probes
	<i>FT2003-12</i>	3023S-0012	---	R/OM type, 3 compartment system, overfill & retain, 12" probes
	<i>FT2004</i>	3024-3024	---	R/OM type, 4 compartment system, overfill & retain, 7" probes
	<i>FT2004-12</i>	3024S-0012	---	R/OM type, 4 compartment system, overfill & retain, 12" probes
	<i>FT2005</i>	3025-3025	---	R/OM type, 5 compartment system, overfill & retain, 7" probes
	<i>FT2005-12</i>	3025S-0012	---	R/OM type, 5 compartment system, overfill & retain, 12" probes
	<i>FT2006</i>	3026-3026	---	R/OM type, 6 compartment system, overfill & retain, 7" probes
	<i>FT2006-12</i>	3026S-0011	---	R/OM type, 6 compartment system, overfill & retain, 12" probes
	<i>FT2101</i>	3031-3031	---	R/OM type, 1 compartment system, overfill only, 7" probe
	<i>FT2101-12</i>	3031S-0012	---	R/OM type, 1 compartment system, overfill only, 12" probe
	<i>FT2102</i>	3032-3032	---	R/OM type, 2 compartment system, overfill only, 7" probes
	<i>FT2102-12</i>	3032S-0012	---	R/OM type, 2 compartment system, overfill only, 12" probes
	<i>FT2103</i>	3033-3033	---	R/OM type, 3 compartment system, overfill only, 7" probes
	<i>FT2103-12</i>	3033S-0012	---	R/OM type, 3 compartment system, overfill only, 12" probes
	<i>FT2104</i>	3034-3034	---	R/OM type, 4 compartment system, overfill only, 7" probes
	<i>FT2104-12</i>	3034S-0012	---	R/OM type, 4 compartment system, overfill only, 12" probes
	<i>FT2105</i>	3035-3035	---	R/OM type, 5 compartment system, overfill only, 7" probes
	<i>FT2105-12</i>	3035S-0012	---	R/OM type, 5 compartment system, overfill only, 12" probes
	<i>FT2106</i>	3036-3036	---	R/OM type, 6 compartment system, overfill only, 7" probes
	<i>FT2106-12</i>	3036S-0012	---	R/OM type, 6 compartment system, overfill only, 12" probes
	<i>FT2801</i>	---	8251	Checkmate system, 1 compartment system, overfill only, 7" probe
	<i>FT2802</i>	---	8352	Checkmate system, 2 compartment system, overfill only, 7" probes
	<i>FT2803</i>	---	8353	Checkmate system, 3 compartment system, overfill only, 7" probes
	<i>FT2804</i>	---	8354	Checkmate system, 4 compartment system, overfill only, 7" probes
	<i>FT2805</i>	---	8355	Checkmate system, 5 compartment system, overfill only, 7" probes

Fuel Tanker Overfill Detection

Competitor Cross Reference Chart (continued)

On-Board Systems	FloTech™ Part #	Civacon Part #	Scully Part #	Description
	<i>FT2806</i>	---	8356	Checkmate system, 6 compartment system, overfill only, 7" probes
	<i>FT2807</i>	---	8380	Checkmate system, 7 compartment system, overfill only, 7" probes
	<i>FT2808</i>	---	8381	Checkmate system, 8 compartment system, overfill only, 7" probes
	<i>FT2811</i>	---	8361	Checkmate system, 1 compartment system, overfill & retain, 7" probe
	<i>FT2812</i>	---	8362	Checkmate system, 2 compartment system, overfill & retain, 7" probes
	<i>FT2813</i>	---	8363	Checkmate system, 3 compartment system, overfill & retain, 7" probes
	<i>FT2814</i>	---	8364	Checkmate system, 4 compartment system, overfill & retain, 7" probes
	<i>FT2815</i>	---	8365	Checkmate system, 5 compartment system, overfill & retain, 7" probes
	<i>FT2816</i>	---	8366	Checkmate system, 6 compartment system, overfill & retain, 7" probes
	<i>FT2817</i>	---	8382	Checkmate system, 7 compartment system, overfill & retain, 7" probes
	<i>FT2818</i>	---	8383	Checkmate system, 8 compartment system, overfill & retain, 7" probes

Overfill
Products

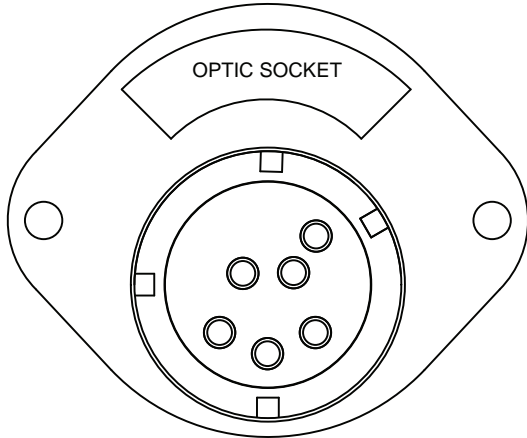
GOODYEAR
GOODYEARBELTING.COM

Call Toll Free: 1-866-711-4673
International: +1-727-342-5086

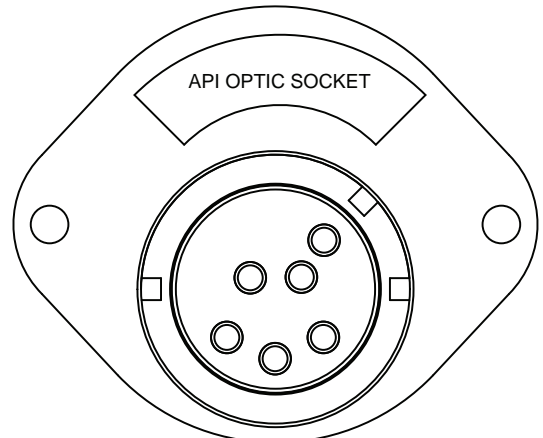
**We Ship
World Wide**

Fuel Tanker Overfill Detection

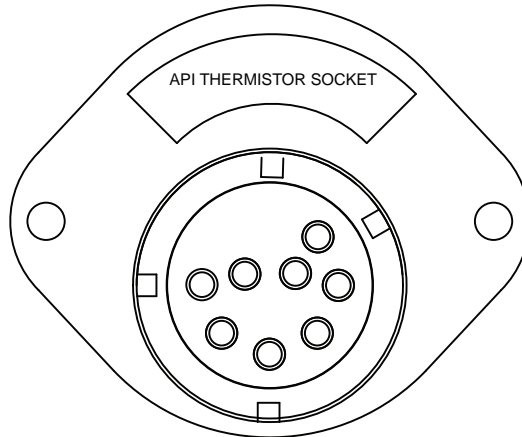
Socket Profiles



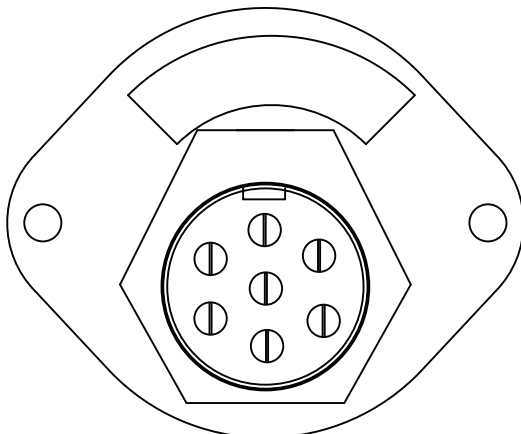
FT303 Optic socket (US)
FT313 Replacement faceplate
FT307 Optic socket (Eastern Canada)
FT317 Replacement faceplate



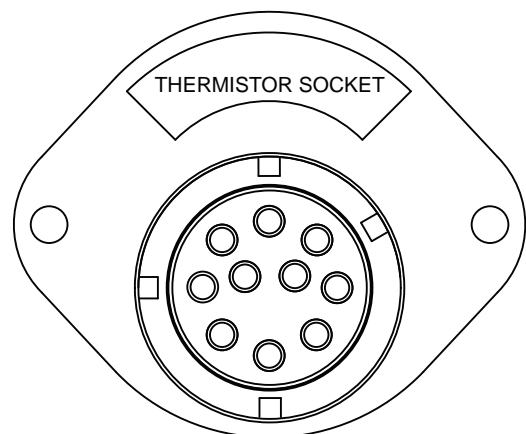
FT300 API optic socket (US)
FT310 Replacement faceplate



FT301 API Thermistor socket (US)
FT311 Replacement faceplate assembly



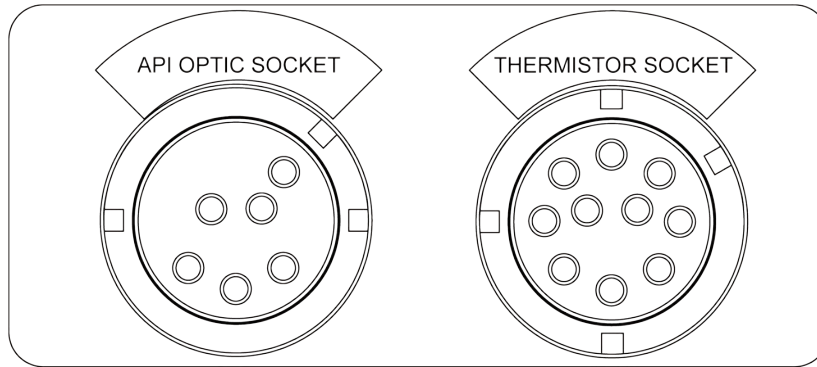
FT302 Float J560 socket (US)
FT312 Replacement faceplate float J560 socket
FT305 Thermistor J560 socket (US)
FT315 Replacement faceplate Thermistor J560 socket



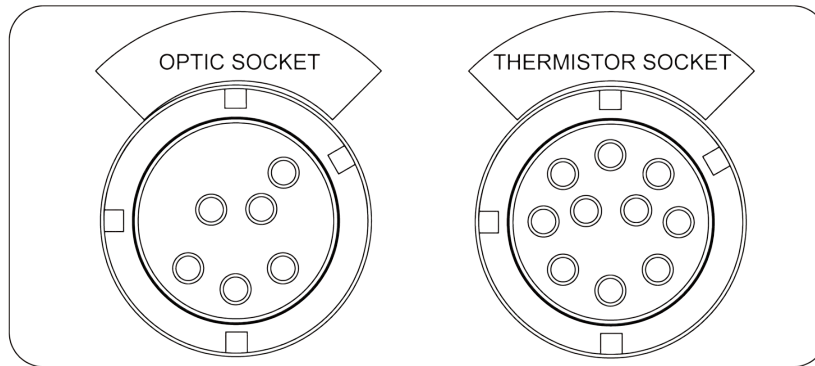
FT304 Thermistor socket (Canada)
FT314 Replacement faceplate

Fuel Tanker Overfill Detection

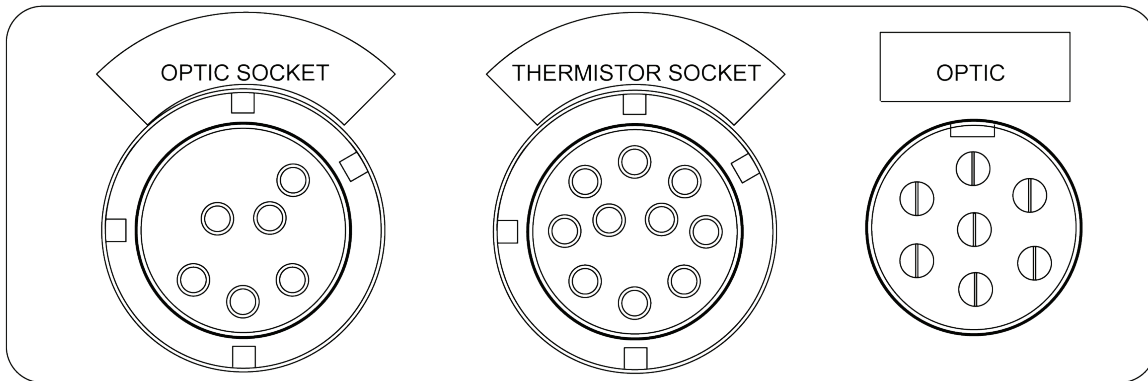
Socket Profiles



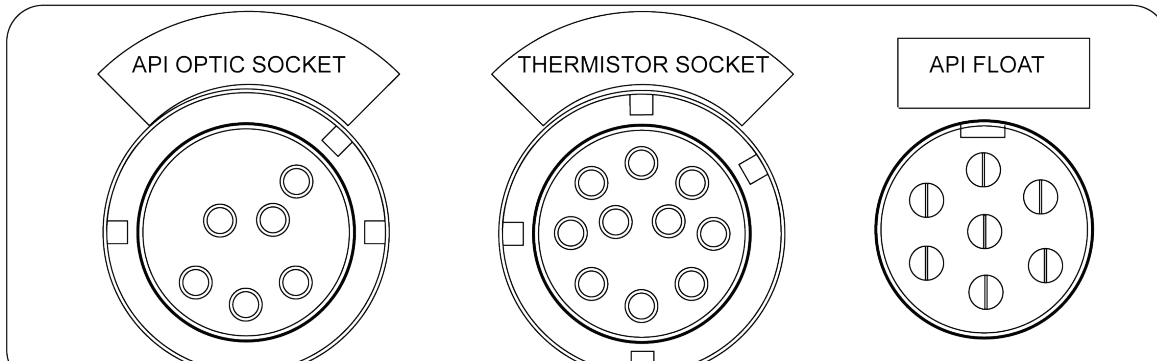
FT390 Dual socket (US)



FT391 Dual socket (Canada)



FT395 Triple socket (Canada)

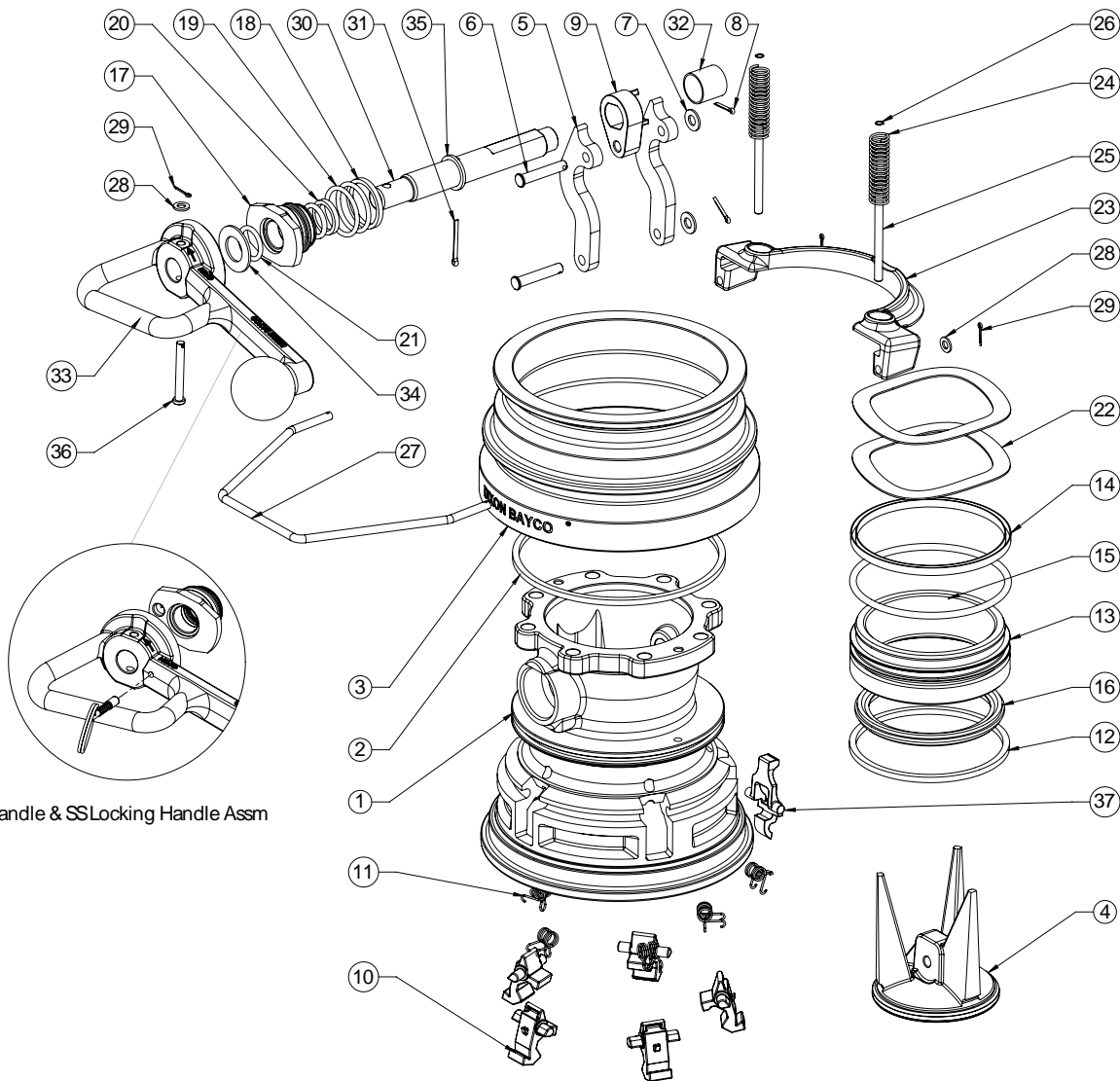


Overfill
Products

Fuel Tanker Loading and Unloading

5300/5400 Series API Couplers

API Bottom Rack Loading Fittings



Stainless Handle & SSLocking Handle Assm

Petroleum
Replacement Parts



Call Toll Free: 1-866-711-4673
International: +1-727-342-5086

We Ship
World Wide

Fuel Tanker Loading and Unloading

Bill of Materials

Qty of Components per Unit

Item #	Description	Part #	5300	5300B	5300BC	5300BCL	5300G	5400	5400B	5400G
1	body	-	1	1	1	1	1	1	1	1
2	body dust ring	112173	1	1	1	1	1	1	1	1
3	sleeve assembly	400684	1	1	1	1	1	1	1	1
4A	poppet	Use kit 5354K19	1	1	1	1	1	1	1	1
4B	poppet for crude oil	Use kit 5354K20	N/A	N/A	1	1	N/A	N/A	N/A	N/A
5	bent link	112151	2	2	2	2	2	2	2	2
6	link pin	391141	2	2	2	2	2	2	2	2
7	link washer	112158	2	2	2	2	2	2	2	2
8	304SS cotter pin	110721	2	2	2	2	2	2	2	2
9	drive link	112148	1	1	1	1	1	1	1	1
10	interlocking cam	112147	5	5	5	5	5	5	5	5
11	torsion spring	112149	5	5	6	6	5	5	5	5
12	nose piece dust ring	112174	1	1	1	1	1	1	1	1
13	nose piece	Use kit 5354K7, 5354K8, 5354K9, 5354K10, 5354K11, 5354K12 & 5354K20	N/A	N/A	N/A	N/A	N/A	1	1	1
14	PTFE U-Seal 350 (optional) ¹	112164	1	1	1	1	1	1	1	1
15A	O-ring 2-350, Buna	Use kit 5354K7, 5354K8, 5354K13 or 5354K14	1	N/A	N/A	N/A	N/A	1	N/A	N/A
15B	O-ring 2-350, FKM B	Use kit 5354K9, 5354K10, 5354K15, 5354K16 or 5354K20	N/A	1	1	1	N/A	N/A	1	N/A
15C	O-ring 2-350, FKM GFLT	"Use kit 5354K11, 5354K12, 5354K17 or 5354K18"	N/A	N/A	N/A	N/A	1	N/A	N/A	1
16A	replaceable nose seal, Buna	Use kit 5354K13 or 5354K14	N/A	N/A	N/A	N/A	N/A	1	N/A	N/A
16B	replaceable nose seal, FKM B	Use kit 5354K15 or 5354K16	N/A	N/A	N/A	N/A	N/A	N/A	1	N/A
16C	replaceable nose seal, FKM GFLT	Use kit 5354K17 or 5354K18	N/A	N/A	N/A	N/A	N/A	N/A	N/A	1
16D	bonded nose seal, Buna	Use kit 5354K7 or 5354K8	1	N/A	N/A	N/A	N/A	N/A	N/A	N/A
16E	bonded nose seal, FKM B	Use kit 5354K9 or 5354K10	N/A	1	N/A	N/A	N/A	N/A	N/A	N/A
16 F	bonded nose seal, FKM GFLT	Use kit 5354K11 or 5354K12	N/A	N/A	N/A	N/A	1	N/A	N/A	N/A
16G	bonded nose seal for crude oil	Use kit 5354K20	N/A	N/A	1	1	N/A	N/A	N/A	N/A
17A	bearing	341790	1	1	N/A	N/A	1	1	1	1
17B	bearing for crude oil	400696	N/A	N/A	1	N/A	N/A	N/A	N/A	N/A
17C	bearing for crude oil with lock handle	400696	N/A	N/A	NA	1	N/A	N/A	N/A	N/A
18	PTFE U-Seal 220 (Optional) ¹	112163	1	1	1	1	1	1	1	1
19A	O-ring 2-220, Buna	Use kit 5354K1, 5354K2 or 5354K20	1	N/A	N/A	N/A	N/A	1	N/A	N/A
19B	O-ring 2-220, FKM B	Use kit 5354K3, 5354K4 or 5354K20	N/A	1	1	1	N/A	N/A	1	N/A
19C	O-ring 2-220, FKM GFLT	Use kit 5354K5 or 5354K6	N/A	N/A	N/A	N/A	1	N/A	N/A	1
20	PTFE U-Seal 212 (optional) ¹	112162	1	1	1	1	1	1	1	1
21A	O-ring 2-212, Buna	Use kit 5354K1 or 5354K2	2	N/A	N/A	N/A	N/A	2	N/A	N/A
21B	O-ring 2-212, FKM B	Use kit 5354K3, 5354K4, 5354K20	N/A	2	2	2	N/A	N/A	2	N/A
21C	O-ring 2-212, FKM GFLT	Use kit 5354K5 or 5354K6	N/A	N/A	N/A	N/A	2	N/A	N/A	2
22A	wave spring washer	112172	2	2	N/A	N/A	2	2	2	2
22B	wave washer for crude oil	112282	N/A	N/A	1	1	N/A	N/A	N/A	N/A
23	bail	341788	1	1	1	1	1	1	1	1
24	bail spring	112150	2	2	2	2	2	2	2	2
25	bail pin	112175	2	2	2	2	2	2	2	2
26	internal retaining ring	112176	2	2	2	2	2	2	2	2
27	release	391139	1	1	1	1	1	1	1	1
28	washer	111562	3	3	3	3	3	3	3	3
29	cotter pin	111563	3	3	3	3	3	3	3	3
30	shaft	391140	1	1	1	1	1	1	1	1
31	shaft cotter pin	112307	1	1	1	1	1	1	1	1
32	spacer	391142	1	1	1	1	1	1	1	1
33A	handle (aluminum)	341789	1	1	-	-	1	1	1	1
33B	handle (stainless steel)	112392	N/A	N/A	1	N/A	N/A	N/A	N/A	N/A
33B	handle (stainless steel)	400713	N/A	N/A	N/A	1	N/A	N/A	N/A	N/A
34	shaft outside washer	112160	1	1	1	1	1	1	1	1
35	shaft inside washer	112159	1	1	1	1	1	1	1	1
36	clevis pin	112500	1	1	1	1	1	1	1	1
37	latch	112240	1	1	1	1	1	1	1	1

Petroleum Replacement Parts

¹ Items 14, 18 and 20 are optional PTFE U seals. When the U seals are added to the coupler they isolate the main rubber seals

Fuel Tanker Loading and Unloading

5300/5400 Series API Couplers

API Bottom Rack Loading Fittings

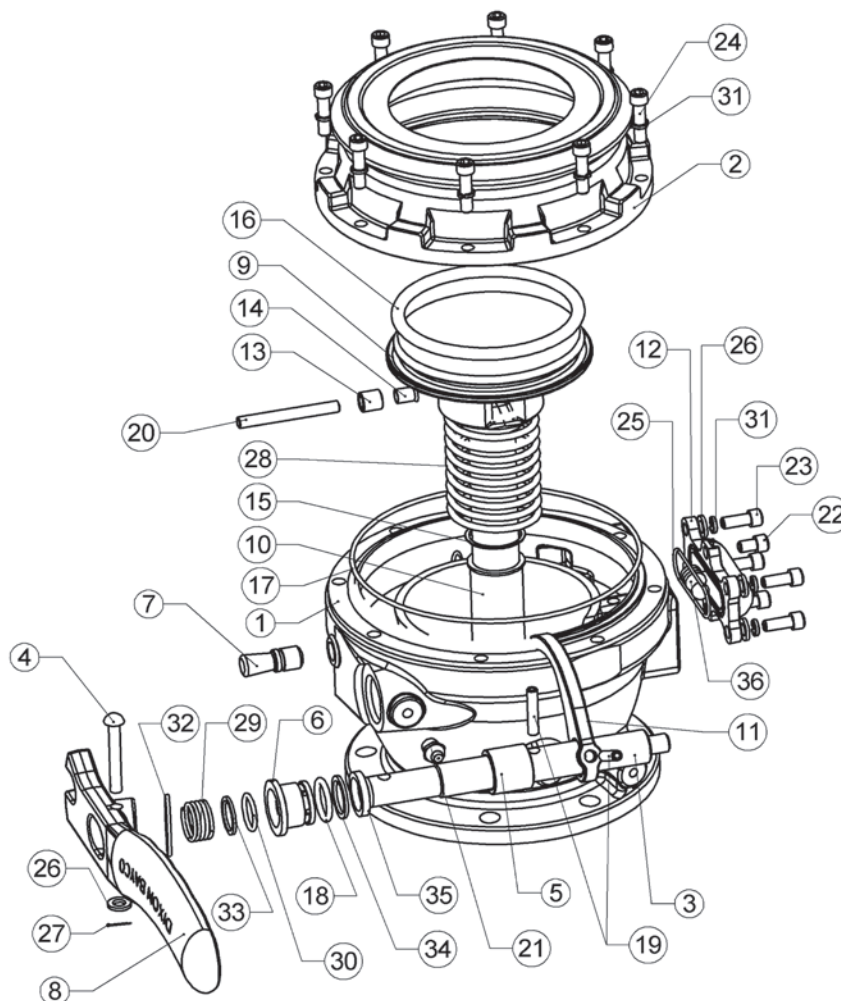
Repair Kits

Part #	Description	Include items #
5354K1	Buna shaft seal kit: for 5300 and 5400	19A, 21A, 34, 35
5354K2	Buna shaft seal kit with optional PTFE U Seals: for 5300 and 5400	18 ¹ , 19A, 20 ¹ , 21A, 34, 35
5354K3	FKM-B shaft seal kit: for 5300B and 5400B	19B, 21B, 34, 35
5354K4	FKM-B shaft seal kit with optional PTFE U Seals: for 5300B and 5400B	18 ¹ , 19B, 20 ¹ , 21B, 34, 35
5354K5	FKM GFLT shaft seal kit: for 5300G and 5400G	19C, 21C, 34, 35
5354K6	FKM GFLT shaft seal kit with optional PTFE U Seals: for 5300G and 5400G	18 ¹ , 19C, 20 ¹ , 21C, 34, 35
5354K7	Buna bonded nose seal kit: for 5300	12, 13, 15A, 16D
5354K8	Buna bonded nose seal kit with optional PTFE U seal: for 5300	12, 13, 14 ¹ , 15A, 16D
5354K9	FKM-B bonded nose seal kit: for 5300B	12, 13, 15B, 16E
5354K10	FKM-B bonded nose seal kit with optional PTFE U seal: for 5300B	12, 13, 14 ¹ , 15B, 16E
5354K11	FKM GFLT bonded nose seal kit: for 5300G	12, 13, 15C, 16F
5354K12	FKM GFLT bonded nose seal kit with optional PTFE U seal: for 5300G	12, 13, 14 ¹ , 15C, 16F
5354K13	Buna replaceable nose seal kit: for 5400	12, 15A, 16A
5354K14	Buna replaceable nose seal kit with optional PTFE U seal: for 5400	12, 14 ¹ , 15A, 16A
5354K15	FKM-B replaceable nose seal kit: for 5400B	12, 15B, 16B
5354K16	FKM-B replaceable nose seal kit with optional PTFE U seal: for 5400B	12, 14 ¹ , 15B, 16B
5354K17	FKM GFLT replaceable nose seal kit: for 5400G	12, 15C, 16C
5354K18	FKM GFLT replaceable nose seal kit with optional PTFE U seal: for 5400G	12, 14 ¹ , 15C, 16C
5354K19	Valve assembly repair kit: for 5300, 5300B, 5300G, 5400, 5400B, 5400G	4, 5, 6, 7, 8, 9, 34, 35
5354K20	crude conversion kit	4B, 16G, 17C, 22B, 31
5354K21	locking handle kit	17C, 21B, 28, 29, 31, 33B, 34, 36

¹ Items 14, 18 and 20 are optional PTFE U seals. When the U seals are added to the coupler they isolate the main rubber seals from the liquid being conveyed, thereby increasing the longevity of the rubber seals.

Fuel Tanker Loading and Unloading

5204 Series, API Bottom Load Valves



Petroleum
Replacement Parts

Repair Kits

Part #	Description	Include items #
5204K2	complete rebuild kit: Baylast™ O-rings, bearings	6,10, 13, 14, 16A, 17A, 18A, 25A, 30, 35
5204KV2	complete rebuild kit: FKM poppet O-ring, Baylast™ O-rings, bearings	6,10, 13, 14, 16B, 17B, 18B, 25B, 30, 35
5204K3	replacement anodized nose ring with Baylast™ gasket, screws and lock washers	2, 17A, 24, 31
5204K5	replacement detachable handle assembly (for 5204C and 5204NGC)	not illustrated
5204K6	PTFE encapsulated seal kit, poppet O-ring, nose O-ring, shaft O-ring, and sight glass O-ring	16C, 17B, 18B, 25B
5204K7	replacement fixed handle assembly	4, 8A, 26, 27, 29, 32
5204K8	sight glass repair kit	12, 25A, 36, 37
5204K9	sight glass cover kit (to convert units with sight glass to non-sight glass)	not illustrated
5204K11	nose ring replacement 8 hex bolts & 8 washers kit	24, 31
5204K12	sight glass replacement hardware, 6 hex bolts, 6 lock washers and 4 washers kit	23, 26, 31
5204K13	replacement full body sight glass, seals and retainer kit for 5204SFI	38, 39, 40

Fuel Tanker Loading and Unloading

5204 Series, API Bottom Load Valves

Bill of Materials

Qty of Components per Unit

Item #	Description	Part #	5204	5204NG	5204TNG	5204SNG	5204NGV	5204C	5204NGC	5204L	5204LNG
1	body - pipe end	---	1	1	1	1	1	1	1	1	1
2	nose ring	use kit 5204K3	1	1	1	1	1	1	1	1	1
3	shaft	390812	1	1	1	1	1	1	1	N/A	N/A
4	handle pin	111559	1	1	1	1	1	N/A	N/A	N/A	N/A
5	shaft spacer	390813	1	1	1	1	1	1	1	N/A	N/A
6	shaft bearing	111557	1	1	1	1	1	1	1	N/A	N/A
7	stop pin	5204-SP	1	1	1	1	1	1	1	N/A	N/A
8A	fixed handle	use kit 5204K7	1	1	1	1	1	N/A	N/A	N/A	N/A
8B	removeable handle	use kit 5204K5	N/A	N/A	N/A	N/A	N/A	1	1	N/A	N/A
9A	poppet (load/unload versions)	341755	1	1	1	1	1	1	1	N/A	N/A
9B	poppet (load only versions)	341756	N/A	N/A	N/A	N/A	N/A	N/A	N/A	1	1
10	poppet bearing	341801	1	1	1	1	1	1	1	1	1
11	cam	111550	1	1	1	1	1	1	1	N/A	N/A
12	sight glass	use kit 5204K8	1	N/A	N/A	N/A	N/A	1	N/A	1	N/A
13	poppet roller	390815	1	1	1	1	1	1	1	N/A	N/A
14	poppet roller bearing	111556	1	1	1	1	1	1	1	N/A	N/A
15	retaining ring	111560	1	1	1	1	1	1	1	1	1
16A	Baylast™ poppet O-ring	5204K1	1	1	N/A	1	N/A	1	1	1	1
16B	FKM poppet O-ring	5204KV1	N/A	N/A	N/A	N/A	1	N/A	N/A	N/A	N/A
16C	PTFE encapsulated poppet O-ring	use kit 5204K6	N/A	N/A	1	N/A	N/A	N/A	N/A	N/A	N/A
17A	nose ring O-ring	111554	1	1	N/A	1	1	1	1	1	1
17B	PTFE nose O-ring	use kit 5204K6	N/A	N/A	1	N/A	N/A	N/A	N/A	N/A	N/A
18A	shaft O-ring	111552	1	1	N/A	1	1	1	1	N/A	N/A
18B	PTFE shaft O-ring	use kit 5204K6	N/A	N/A	1	N/A	N/A	N/A	N/A	N/A	N/A
19	shaft and cam roll pin	6000-12	2	2	2	2	2	2	2	N/A	N/A
20	pin roller	111566	1	1	1	1	1	1	1	N/A	N/A
21	grease fitting	111561	1	1	1	1	1	1	1	N/A	N/A
23	sight glass screw	use kit 5204K12	6	N/A	N/A	N/A	N/A	6	N/A	6	N/A
24	nose ring screw	use kit 5204K11	8	8	8	8	8	8	8	8	8
25A	Baylast™ sight glass O-ring	use kit 5204K8	1	N/A	N/A	N/A	N/A	1	N/A	1	N/A
25B	PTFE sight glass O-ring	use kit 5204K6	N/A	N/A	N/A	N/A	N/A	N/A	N/A	N/A	N/A
26	washer	111562	1	1	1	1	1	6	N/A	6	N/A
27	cotter pin	111563	1	1	1	1	1	N/A	N/A	N/A	N/A
28A	main spring-steel	111564	1	1	N/A	N/A	1	1	1	1	1
28B	main spring- stainless steel	111542	N/A	N/A	1	1	N/A	N/A	N/A	N/A	N/A
29	handle spring	111565	1	1	1	1	1	1	1	N/A	N/A
30	dust seal O-ring	111553	1	1	1	1	1	1	1	N/A	N/A
31	lock washer ¼"	111569	14	8	8	8	8	14	8	14	8
32	handle shaft spring washer	111573	1	1	1	1	1	1	1	N/A	N/A
33	handle shaft washer	111574	1	1	1	1	1	1	1	N/A	N/A
34	back-up ring	111579	1	1	1	1	1	1	1	N/A	N/A
35	u-cup seal	111580	1	1	1	1	1	1	1	N/A	N/A
36	flow indicator	use kit 5204K8	1	N/A	N/A	N/A	N/A	1	N/A	N/A	N/A
38 ¹	retaining ring	use kit 5204K13	N/A	N/A	N/A	N/A	N/A	N/A	N/A	N/A	N/A
39 ¹	SFI sight glass	use kit 5204K13	N/A	N/A	N/A	N/A	N/A	N/A	N/A	N/A	N/A
40 ¹	SFI sight glass O-ring (Baylast™)	use kit 5204K13	N/A	N/A	N/A	N/A	N/A	N/A	N/A	N/A	N/A

¹ Not illustrated, parts for 5204-SFI

N/A = Not Applicable

Fuel Tanker Loading and Unloading

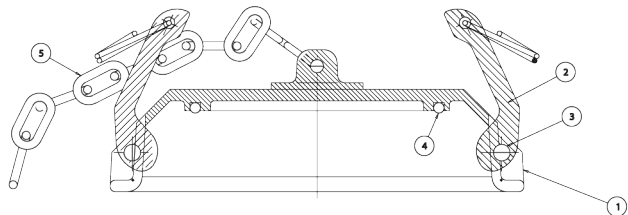
5000-24 API Dust Caps

Bill of Materials

Item #	Description	Part #	Qty
1	body	---	1
2	cam arm and ring	300-HRP-BR	2
3	cam arm pin	5000-24	2
4A	Baylast™ O-ring (standard)	4500-5	1
4B	FKM O-ring (optional)	4500-7	1
5	replacement 18" chain and S hook	5205-RK4	1

Repair Kits

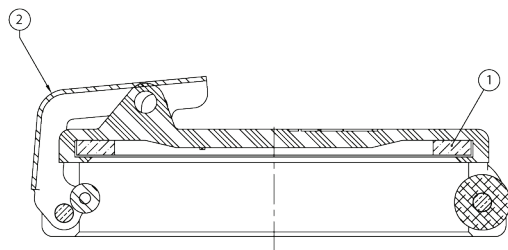
Part #	Description	Item #
4500RK	replacement cam arms, pins and Baylast™ O-ring seal (standard)	2, 3, 4A
4500RK-V	replacement cam arms, pins and FKM O-ring seal (optional)	2, 3, 4B
5205-RK4	replacement 18" chain and S hook	5



5000-25 API Dust Caps

Bill of Materials

Item #	Description	Part #	Qty
1	gasket	5000-25RK1	1
2	cam arm sub assembly	5000-25RK2	1



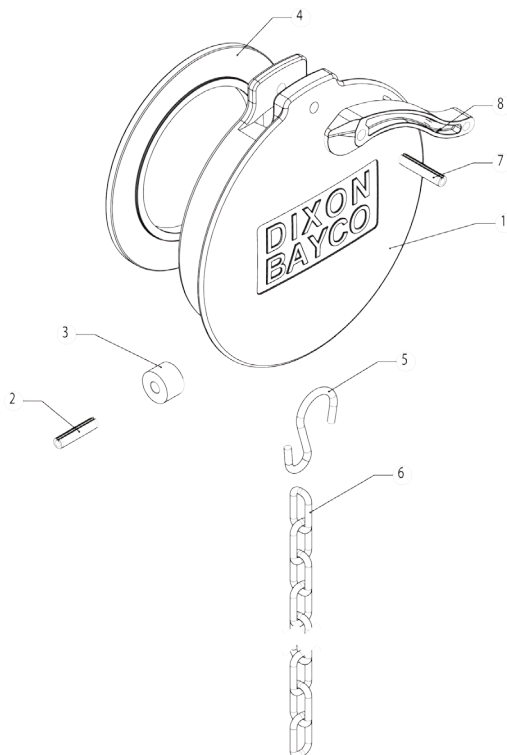
5205 API Dust Caps

Bill of Materials

Item #	Description	Part #	Qty
1	body	---	1
2	slotted pin	use kit 5205-RK3	1
3	roller	use kit 5205-RK3	1
4	gasket	5205-RK1	1
5	S hook	use kit 5205-RK4	1
6	18" chain	use kit 5205-RK4	1
7	spring pin	use kit 5205-RK2	1
8	plastic cam arm	use kit 5205-RK2	1

Repair Kits

Part #	Description	Item #
5205-RK1	gasket replacement kit	4
5205-RK2	replacement cam arm and pin	7, 8
5205-RK3	replacement roller and pin	2, 3
5205-RK4	replacement chain and S hook	5, 6



Petroleum Replacement Parts

Fuel Tanker Loading and Unloading

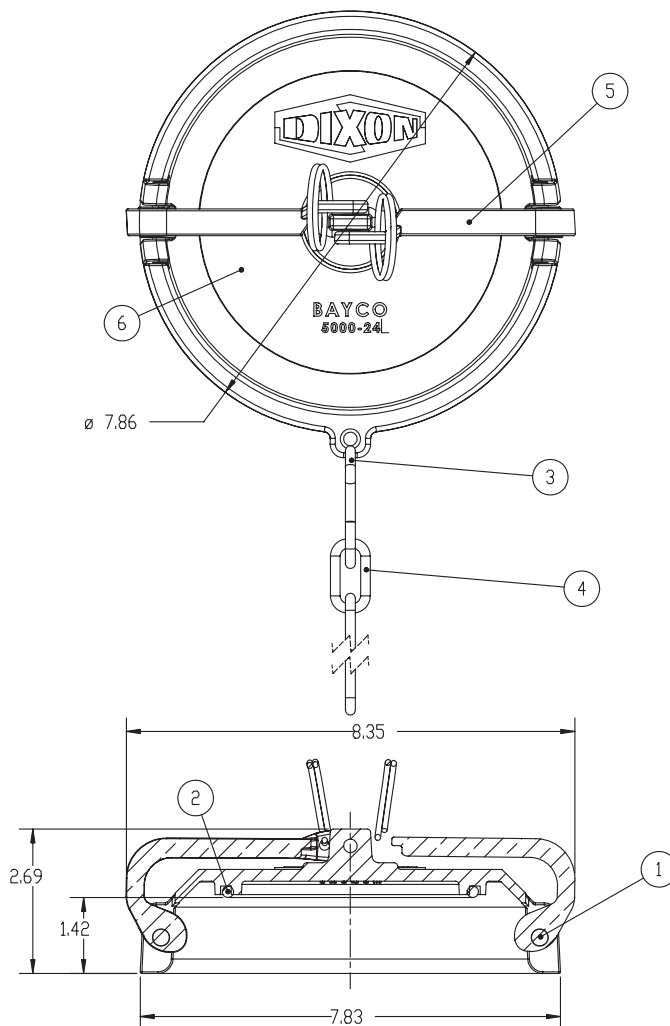
5000-24L Lockable API Cap

Bill of Materials

Item #	Description	Part #	Qty
1	pin	325-P	2
2	Buna-N O-ring	4500-5	1
3	s-hook	112167	1
4	chain 18"	500-15	1
5	lockable arm with ring	341836	2
6	API dust cap	---	1

Repair Kits

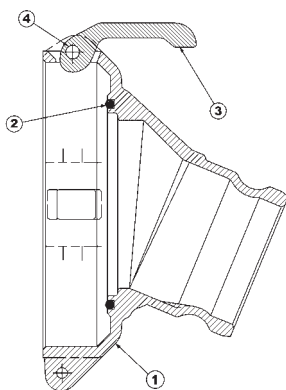
Part #	Description	Item #
5000-24LRK	arm and seal repair kit	1, 2, 5



Petroleum
 Replacement Parts

Fuel Delivery

4530 and 4540 Series Gravity Drop Adapters



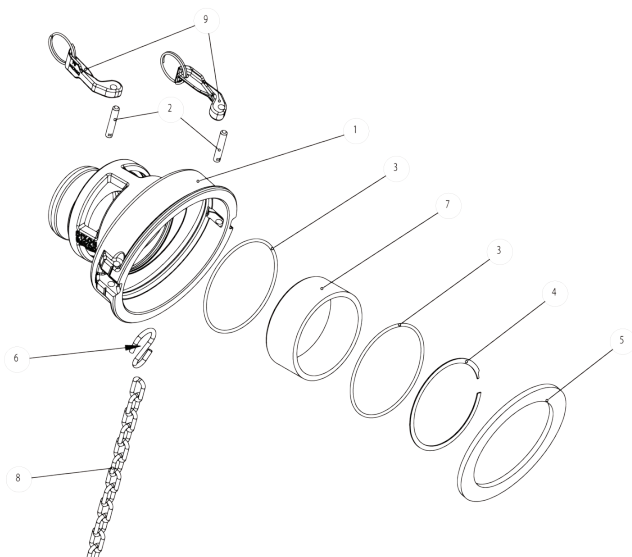
Bill of Materials

Item #	Description	Part #	Qty
1	body	---	1
2A	Baylast™ O-ring (standard)	4500-5	1
2B	FKM O-ring (standard)	4500-7	1
3	cam arm and ring	300-HRP-BR	2
4	cam pin	300-HRP-BR	2
---	replacement 18" chain and S hook	5205-RK4	1

Repair Kits

Part #	Description	Item #
4500RK	cam arms, rings, pins and Baylast™ O-ring	2A, 3, 4
4500RK-V	cam arms, rings, pins and FKM O-ring	2B, 3, 4
5205-RK4	8" security chain and S hook	-

4530SG and 4540SG (with Sight Glass) Gravity Drop Adapters



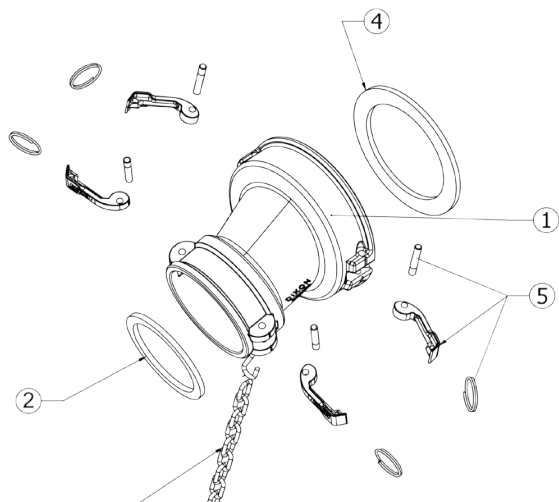
Bill of Materials

Item #	Description	Part #	Qty
1	body	---	1
2	cam arm pin	L519-15	2
3	Baylast™ O-ring	112052	2
4	retaining ring	112053	1
5	Baylast™ main gasket	4540SG-RK2	1
6	S hook	use kit 5205-RK4	1
7	sight glass	use kit 4540SG-RK1	1
8	18" chain	use kit 5205-RK4	1
9	cam arm and ring	ACAR34BZ	2

Repair Kits

Part #	Description	Item #
4540SG-RK1	sight glass repair kit (fits 3" and 4")	3, 4, 7
4540SG-RK2	Baylast™ main gasket (fits 3" and 4")	5A
4540SG-RK2-V	FKM main gasket (fits 3" and 4")	5B
4540SG-RK3	replacement cam arms and pins (fits 3" and 4")	2, 9
5205-RK4	replacement chain and "S" hook	6, 8

4540F Gravity Drop Adapters



Bill of Materials

Item #	Description	Part #	Qty
1	body	---	1
2	4" Buna fuel gasket	400-G-BF	1
3	18" chain with S hook	5205-RK4	1
4	Baylast™ main gasket	4540SG-RK2	1
5	brass cam arm, pin and finger ring (kit)	300-HRP-BR	4

Petroleum Replacement Parts

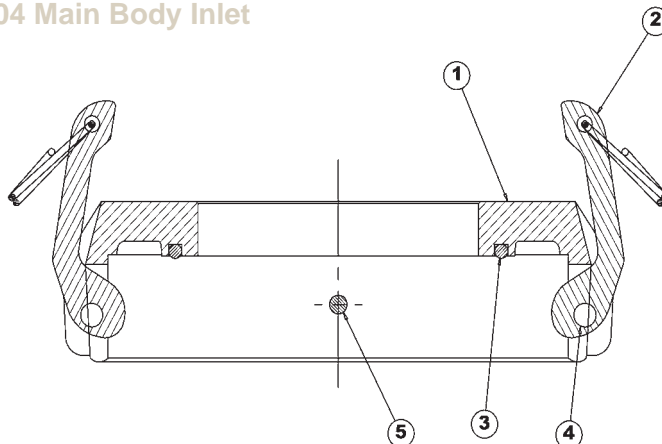
Fuel Delivery

4500 Drop Adapter Mounting Ring for 2 Piece Gravity Drop Adapters

4500, 4502 and 4504 Main Body Inlet

Bill of Materials

Item #	Description	Part #	Qty
1	body	---	1
2	cam arm and ring	300-HRP-BR	2
3A	Baylast™ O-ring (standard)	4500-5	1
3B	FKM O-ring (optional)	4500-7	1
4	cam arm pin	300-HRP-BR	2
5	rivet	390564	1



Repair Kits

Part #	Description	Item #
4500RK	replacement cam arms, rings, pins and Baylast™ O-ring (standard)	2, 3A, 4
4500RK-V	replacement cam arms, rings, pins and FKM O-ring (optional)	2, 3B, 4

4500 Series Drop Adapter Outlets

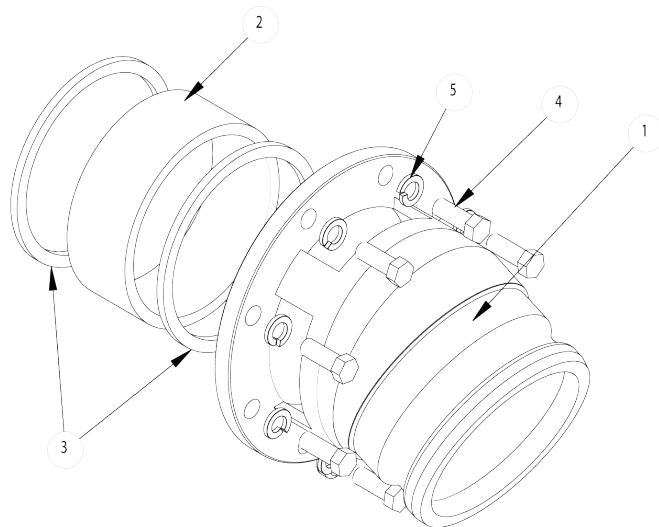
4501, 4502, 4503 and 4504

Bill of Materials

Item #	Description	Part #	Qty
1	body	---	1
2	sight glass	see below	2
3A	Baylast™ gasket	4433	2
3B	FKM gasket	4426	1
4	stainless bolt	4427	8
5	stainless washer	WASHER.375-SS	8
not illustrated	coupler gasket for 4504	400-G-BF	1
not illustrated	cam arm and ring for 4504	ACAR34BZ	2
not illustrated	cam arm pin for 4504	L519-12	2

Repair Kits

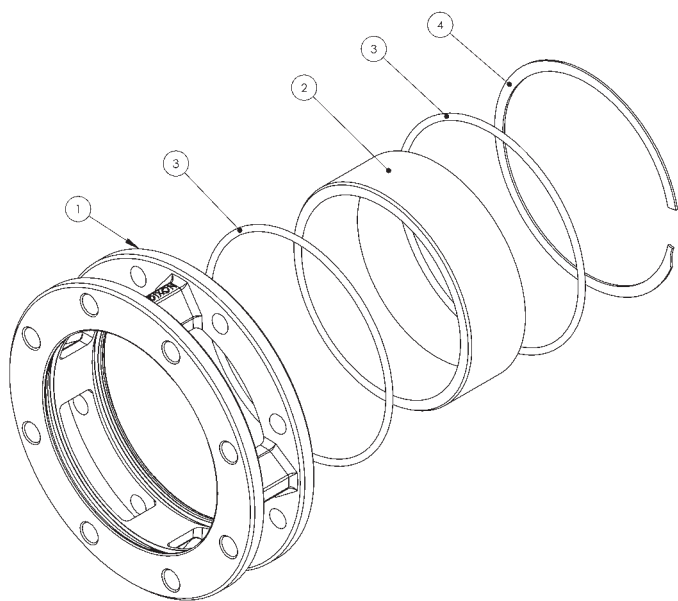
Part #	Description	Item #
4400SGK	replacement sight glass and Baylast™ gaskets for 4501 and 4504	2, 3A
4400SGK-V	replacement sight glass and FKM gaskets for 4501 and 4504	2, 3B
4502SGK	replacement sight glass and Baylast™ gaskets for 4502 and 4503	2, 3A
4502SGK-V	replacement sight glass and FKM gaskets for 4502 and 4503	2, 3B



Petroleum
Replacement Parts

Fuel Delivery

5200-SFI Series, Sight Glass



Bill of Materials

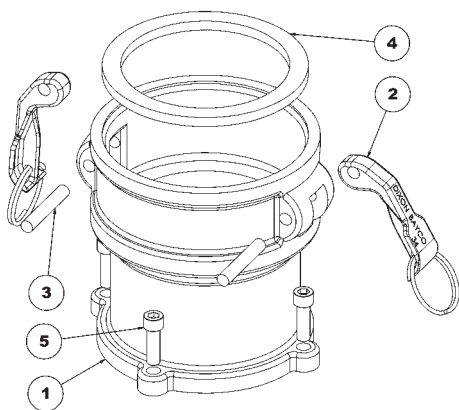
Item #	Description	Part #	5200-SFI	5200-SFI-3	5201-SFI
1	body	---	1	1	1
2	sight glass	use repair kit below	1	1	1
3A	3" Baylast™ O-ring	use repair kit below	n/a	1	n/a
3B	4" Baylast™ O-ring	use repair kit below	2	n/a	2
4A	3" retainer ring	use repair kit below	n/a	1	n/a
4B	4" retaining ring	use repair kit below	1	n/a	1

Repair Kits

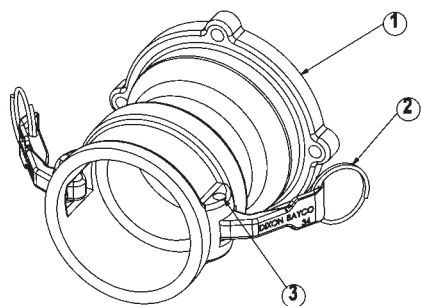
Part #	Description	Includes Item #
5200-SFI-3-RK1	sight glass repair kit for 3" - 5200-SFI-3	1, 2, 3A, 4A
5200-SFI-RK1	sight glass repair kit for 4" - 5200-SFI	1, 2, 3B, 4B
5201-SFI-RK1	sight glass repair kit for 4" - 5201-SFI	1, 2, 3B, 4B

Drop Elbow Inlets

Fits 6000, 6200, and 6500 Series Elbows
6000-14 and 6000-15 Female Coupler Inlets



6000-14



6000-15

Bill of Materials

Item #	Description	Part #	Qty
1	body	---	1
2	cam arm and ring	300-HRP-BR	2
3A	4" cam arm pin	300-HRP-BR	2
3B	3" cam arm pin	300-HRP-BR	2
4A	4" gasket (6000-14)	400-G-BF	1
4B	3" gasket (6000-15)	300-G-BF	1
5	hex screw	use kit 6000NPHK	4
6	lock washer	use kit 6000NPHK	4

Repair Kits

Part #	Description	Includes Item #
6000NPHK	replacement hex screws and lockwashers	5, 6

Petroleum Replacement Parts

Fuel Delivery

Top "D" Handle Elbows

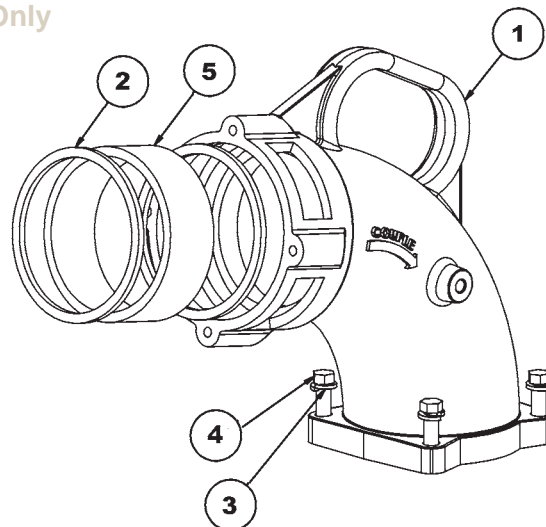
Fits 6000 Elbow Only

Bill of Materials

Item #	Description	Part #	Qty
1	body	6200-1	1
2A	Baylast™ gasket	4433	2
2B	FKM gasket (optional)	4426	2
3	lock washer	use kit 6000EHK	4
4	bolt	use kit 6000EHK	4
5	sight glass	use kit 6200SGK	1

Repair Kits

Part #	Description	Includes Item #
6200SGK	replacement sight glass and Baylast™ seal	2, 5
6000EHK	replacement bolts and washers	3, 4



Bottom Unit, for "D" Handle Elbows

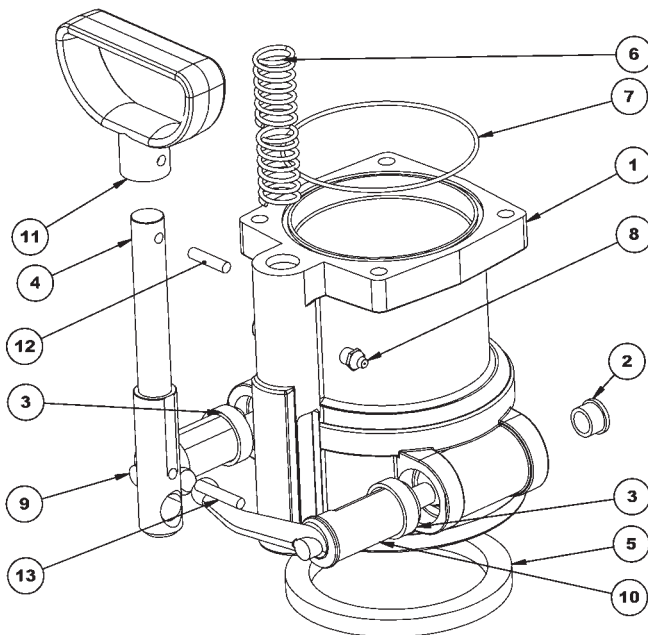
Fits 6000, 6303 and 6304

Bill of Materials

Item #	Description	Part #	Qty
1	body	use kit 6030	1
2	small bushing	use kit 6200BK	2
3	large bushing	use kit 6200BK	2
4	handle stem	6000-7	1
5	main gasket	6000-9	1
6	spring	112012	1
7	O-ring	AS156	1
8	grease nipple	NIPPLE/1	1
9	right arm	use kit 6200ARK	1
10	left arm	use kit 6200ARK	1
11	handle	6000-8	1
12	handle pin	6000-13	1
13	pin	6000-12	1

Repair Kits

Part #	Description	Includes Item #
6030	complete replacement bottom unit	all
6200ARK	replacement L and R arms, main gasket, O-rings, small and large bushings	2, 3, 5, 7, 9, 10
6200BK	replacement (2) small & (2) large bushings	2, 3

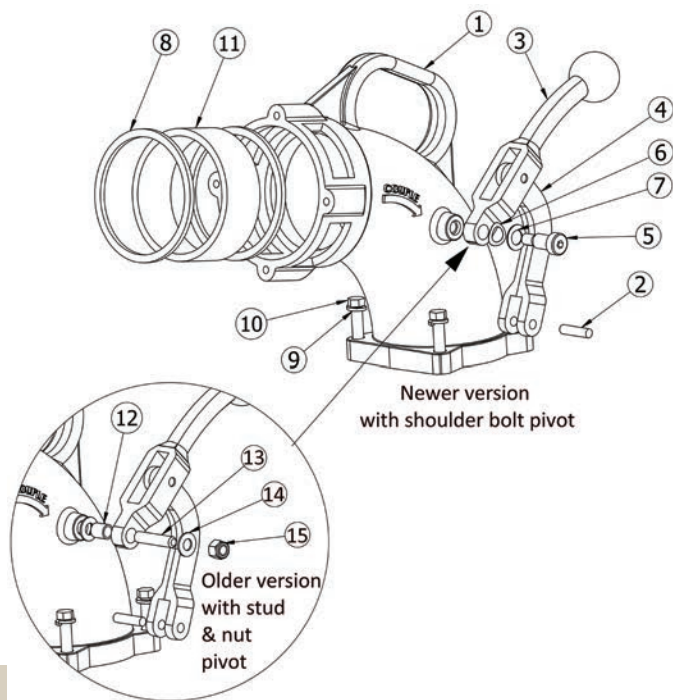


Petroleum Replacement Parts

Fuel Delivery

Top Side Lever Elbows

Fits 6200 Elbow Only



Bill of Materials

Item #	Description	Part #	Qty
1	body	6200-1	1
2	pin	PIN5/16X 1 1/4-P	2
3	handle	use kit 6200-15ASSM	1
4	handle linkage	use kit 6200-15ASSM	1
5 ¹	shoulder bolt	use kit 6200SBK	1
6 ¹	wave washer	use kit 6200SBK	2
7 ¹	SS flat washer	use kit 6200SBK	1
8A	Baylast™ gasket	4433	2
8B	FKM gasket (optional)	4426	2
9	lock washer	use kit 6000EHK	4
10	bolt	use kit 6000EHK	4
11	sight glass	use kit 6200SGK	1
12 ²	bushing	use kit 6200SHK	1
13 ²	stud	use kit 6200SHK²	1
14 ²	nylon washer	use kit 6200SHK²	2
15 ²	nut	use kit 6200SHK²	1

Repair Kits

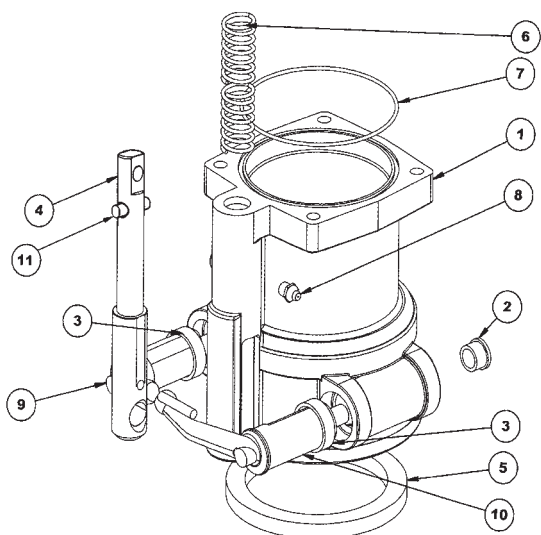
Part #	Description	Includes Item #
6200-15ASSM	replacement handle, linkage	3, 4
6200SGK	replacement sight glass and Baylast™ seals	8, 11
6000EHK	replacement bolts and lock washers	9, 10
6200SBK¹	replacement shoulder bolt pivot, wave washer and flat washer	5, 6, 7
6200SHK²	replacement stud pivot, nylon washers, bushing and nut	12, 13, 14, 15

¹ Items 5 through 7 are for newer version with shoulder bolt pivot only

² for older version with stud and nut pivot use items 12 through 15 instead

Bottom Unit, for Side Lever Elbows

Fits 6200, 6400 and 6500 Standard and Tall Elbows



Bill of Materials

Item #	Description	Part #	Qty
1	body	use kit 6230 or 6230X	1
2	small bushing	use kit 6200BK	2
3	large bushing	use kit 6200BK	2
4A	handle stem (standard)	6200-7	1
4B	handle stem (tall)	6200-7X	1
5	main gasket	6000-9	1
6	spring	112012	1
7	O-ring	AS156	1
8	grease nipple	NIPPLE/1	1
9	right arm	use kit 6200ARK	1
10	left arm	use kit 6200ARK	1
11	pin	PIN5/16X 1 1/4-P	1

Repair Kits

Part #	Description	Includes Item #
6230	complete standard replacement bottom unit	all
6230X	complete tall replacement bottom unit	all
6200ARK	replacement L and R arms, main gasket, O-rings, small and large bushings	2, 3, 5, 7, 9, 10
6200BK	replacement small and large bushings	2, 3

Petroleum Replacement Parts

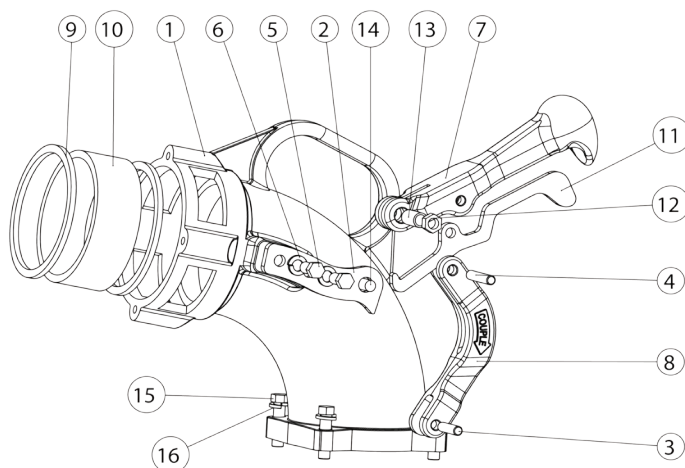
Fuel Delivery

Top Side Lever Elbows

Fits 6500 Elbow Only

Bill of Materials

Item #	Description	Part #	Qty
1	body	341709	1
2	mounting plate	use kit 6500AHK	1
3	lower lever pin	111728	1
4	upper lever pin	111727	1
5	plate screw	112242	3
6	washer	375-SS	3
7	handle	use kit 6500-RK1	1
8	linkage	use kit 6500-RK1	1
9A	Baylast™ gasket	4433	2
9B	FKM gasket (optional)	4426	2
10	sight glass	use kit 6200SGK	1
11	locking latch	use kit 6500-RK1	1
12	lock nut	111730	1
13	bushing	390841	1
14	screw	111729	1
15	bolt	use kit 6000EHK	4
16	lock washer	use kit 6000EHK	4



For bottom end replacement parts, please see below

Repair Kits

Part #	Description	Includes Item #
6200SGK	replacement sight glass and Baylast™ seals	9A, 10
6000EHK	replacement bolts, washers	15, 16
6500-RK1	replacement handle, linkage, lock latch, nut, bushing, pins	2, 3, 4, 5, 6, 7, 8, 11, 12, 13, 14
6500AHK	replacement mounting plate, screws and lock washers	2, 5, 6, 14

6303 and 6304 Series Straight Drop Fittings

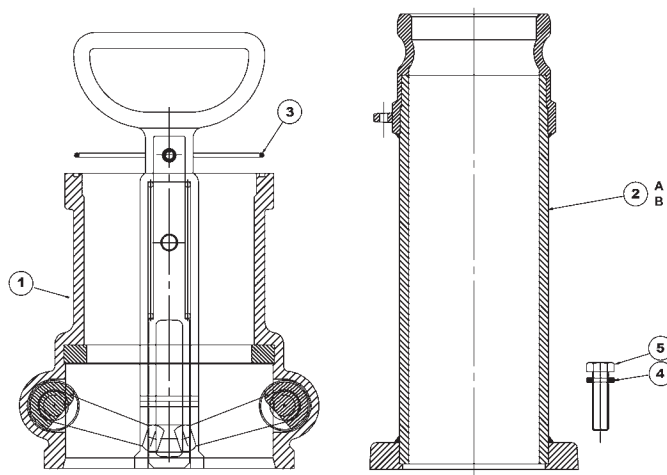
6303 (3" inlet), 6304 (4" inlet)

Bill of Materials

Item #	Description	Part #	Qty
1	complete bottom unit	6030	1
2A	4" adapter inlet tube	6304-1	1
2B	4" MNPT inlet tube	400460	1
2C	3" adapter inlet tube	6300-3	1
2D	3" MNPT inlet tube	400588	1
3	O-ring	AS156	1
4	lock washer	use kit 6000EHK	4
5	bolt	use kit 6000EHK	4

Elbow Hardware Kit

Part #	Description	Includes Item #
6000EHK	lock washer, bolt	4, 5



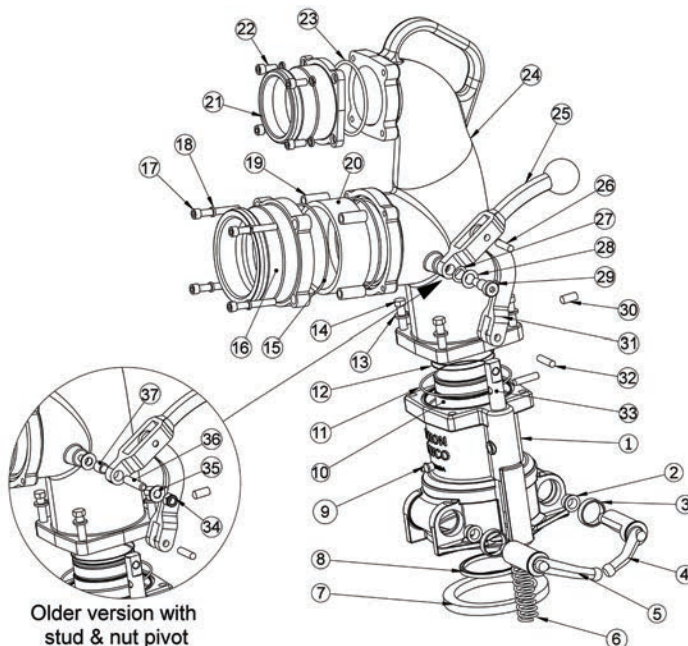
Petroleum Replacement Parts

Fuel Delivery

6400 Series Co-axial Drop Elbow with 3" Male Vapor Outlet

6400 (4" male inlet), 6400F (4" female inlet), 6430 (3" male inlet), 6430F (3" female inlet)

Petroleum Replacement Parts



Bill of Materials

Item #	Description	Part #	Qty
1	bottom body	use kit 6230 or 6230X	1
2	small bushing	use kit 6400ARK	2
3	large bushing	use kit 6400ARK	2
4	right arm	use kit 6400ARK	1
5	left arm	use kit 6400ARK	1
6	stem spring	112012	1
7	main gasket	6000-9	1
8	tube U cup seal	U-CUP-2/75	1
9	grease nipple	NIPPLE/1	1
10	tube	use kit 6400DTK	1
11	O-ring	AS156	1
12	tube O-ring	O-RING#39	2
13	lock washer	use kit 6000EHK	4
14	bolt	use kit 6000EHK	4
15	inlet O-ring	AS156	2
16A	4" adapter fuel inlet (6400)	use kit 6000-17C	1
16B	4" coupler fuel inlet (6400F)	use kit 6000-14C	1
16C	3" adapter fuel inlet (6430)	use kit 6000-16C	1
16D	3" coupler fuel inlet (6430F)	use kit 6000-15C	1
17	inlet bolt	SC5/16-18X2.5P	4
18	inlet bolt lock washer	111723	4
19	inlet bolt spacer	6544CA-1	4
20	sight glass	use kit 6400SGK	1
21A	3" adapter vapor outlet	6400-4	1
21B	3" male NPT vapor outlet	6000-26C	1
22	vapor adapter bolt	4432	4
23	vapor adapter O-ring	110601	1
24	top co-axial elbow body	6400-1	1
25	handle	use kit 6200-15ASSM	1
26	handle pin	PIN5/16X 1 1/4-P	1
27	wave washer ¹	use kit 6200SBK ¹	1
28	SS flat washer ¹	use kit 6200SBK ¹	1
29	shoulder bolt ¹	use kit 6200SBK ¹	1
30	set screw	SC3/8NCX1/2	1
31	linkage	use kit 6200-15ASSM	1
32	stem pin	PIN5/16X 1 1/4-P	1
33A	lever stem (standard)	6200-7	1
33B	lever stem (tall)	6200-7X	1
34	pivot lock nut ²	use kit 6200SHK ²	1
35	washer ²	use kit 6200SHK ²	2
36	pivot stud ²	use kit 6200SHK ²	1
37	pivot bushing ²	use kit 6200SHK ²	1

¹ items 27, 28 & 29 are for the newer version with a shoulder bolt pivot only.
² for the older version with stud and nut pivot, use items 34 through 37 instead.

Repair Kits

Part #	Description	Includes Item #
6230	complete standard replacement bottom unit	1-7, 9, 11, 32, 33A
6230X	complete tall replacement bottom unit	1-7, 9, 11, 32, 33B
6400ARK	replacement L & R arms, main gasket, O-rings, small & large bushings	2-5, 7, 8, 11, 12
6200BK	replacement small & large bushings	2, 3
6400SGK	replacement sight glass and seal	15, 20
6200-15ASSM	replacement handle, lever and pin	25, 26, 31
6000EHK	replacement bolts and washers	13, 14
6400DTK	replacement tube, O-ring & U cup seal	8, 10, 12
6200SHK²	replacement pivot stud, bushing, washer and lock nut	34-37
6200SBK¹	replacement shoulder bolt pivot, wave washer and flat washer	27-29

Inlet Adapter and Coupler Kits

Part #	Description	Includes Item #
6000-14C	4" coupler inlet kit	16B, 17, 18
6000-15C	3" coupler inlet kit	16D, 17, 18
6000-16C	3" adapter inlet kit	16A, 17, 18
6000-17C	4" adapter inlet kit	16C, 17, 18
6000-26C	3" male NPT vapor outlet	21B

Fuel Delivery

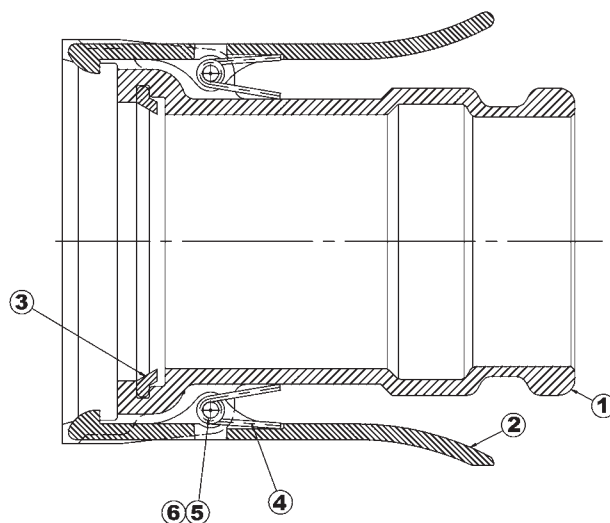
6000-SSA Series 4" Side Seal Adapters

Bill of Materials

Item #	Description	Part #	Qty
1	body	---	1
2	coupler arm	use kit 6000SSHK	2
3	lip seal	L2373	1
4	spring	L2312	2
5	pin	L2311	2
6	retaining ring	TRUARC-5100-25	4

Repair Kit

Part #	Description	Includes Item #
6000SSHK	replacement arms, springs, pins and retaining rings	2, 4, 5, 6



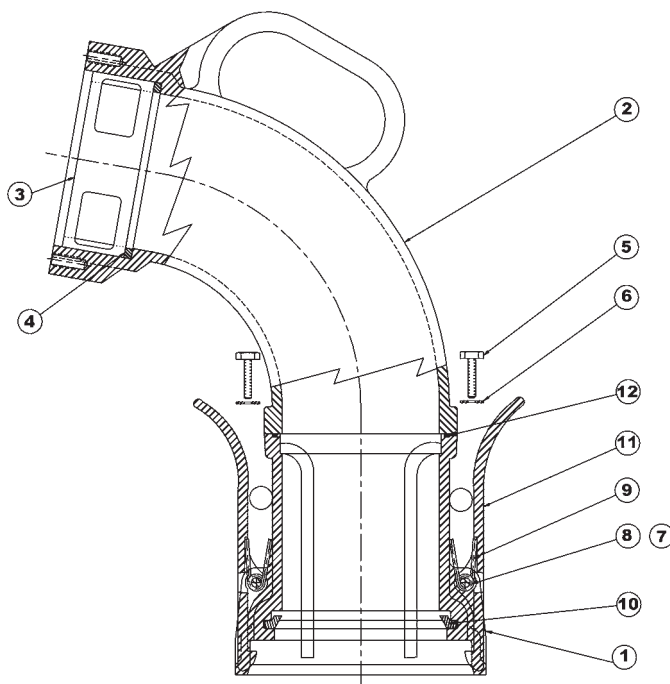
6000AS Series Side Seal Elbows

Bill of Materials

Item #	Description	Part #	Qty
1	bottom body	use kit 6030AS	1
2	top body	6200-1	1
3	sight glass	use kit 6200SGK	1
4A	Baylast™ seal	4433	2
4B	FKM seal	4426	2
5	bolt	use kit 6000EHK	4
6	lock washer	use kit 6000EHK	4
7	retaining ring	TRUARC-5100-25	4
8	pin	L2311	2
9	spring	L2312	2
10	lip seal	L2373	1
11	arm	use kit 6000SSHK	2
12	O-ring	AS156	1

Repair Kit

Part #	Description	Includes Item #
6000ASK	replacement lip seal and body O-ring	10, 12
6030AS	complete replacement bottom unit	1, 7, 8, 9, 10, 11, 12
6200SGK	replacement sight glass and Baylast™ seals	3, 4
6000EHK	replacement lock washers and bolts	5, 6
6000SSHK	replacement arms, springs, pins and retaining rings	7, 8, 9, 11
6000ASR	arm lock ring	not illustrated



Petroleum Replacement Parts

Fuel Delivery/Vapor Recovery

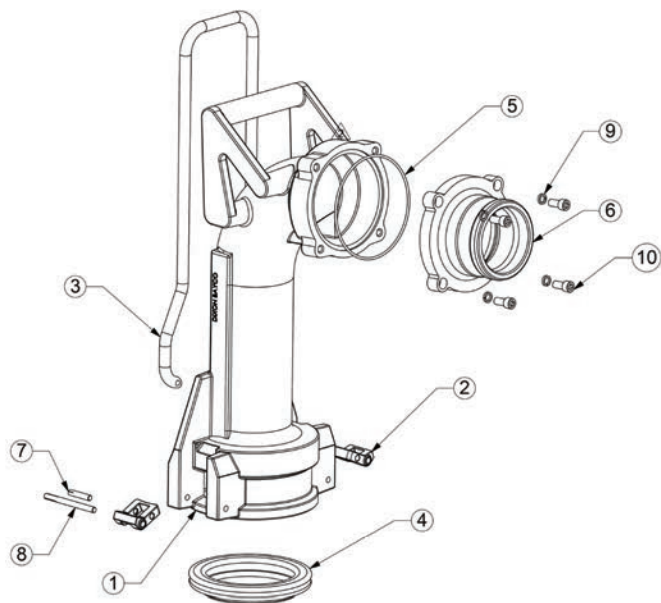
VR6100 Series Vapor Elbows

Bill of Materials

Item #	Description	Part #	Qty
1	body	---	1
2	cam	use kit VR6100CAK	2
3	lift handle	112138-L	1
4	seal	112245	1
5	O-ring	use kit VR6000-6	1
6	adapter 3"	use kit VR6000-6	1
7	grooved pin .25X1.25 SS	use kit VR6100CAK	2
8	grooved pin .25X3 SS	use kit VR6100CAK	2
9	lock washer	use kit 6000NPHK	4

Repair Kit

Part #	Description	Includes Item #
VR6100CAK	replacement (2) cam and pin kit	2, 7, 8
6000NPHK	adapter hardware kit (4) bolts and washer replacement	9, 10
112245	replacement seals	4



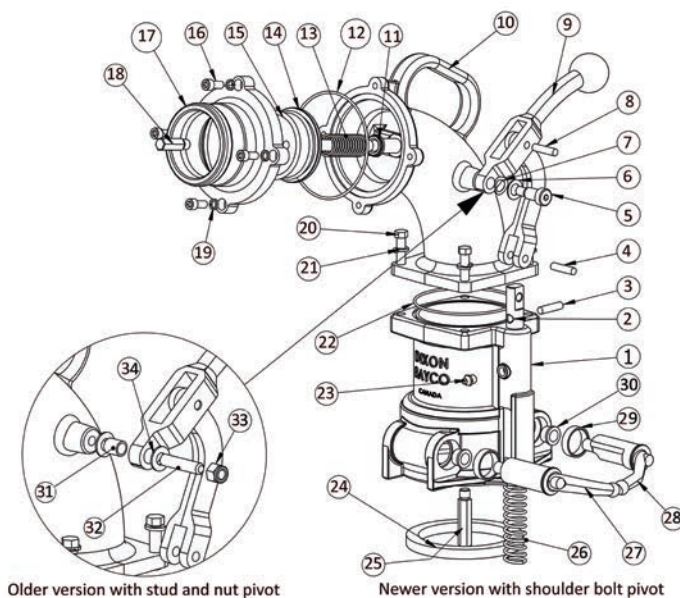
Petroleum
Replacement Parts

Fuel Delivery/Vapor Recovery

VR6200 Series Vapor Elbows

Bill of Materials

Item #	Description	Part #	Qty
1	bottom body	use kit VR6230	1
2	stem	6200-7	1
3	stem stop pin	PIN5/16X11/4P	1
4	stem link pin	PIN5/16X11/4P	1
5 ¹	shoulder bolt pivot	use kit 6200SBK¹	1
6 ¹	SS flat washer	use kit 6200SBK¹	1
7 ¹	wave washer	use kit 6200SBK¹	1
8	handle pin	PIN5/16X 1 1/4-P	1
9	handle and linkage	use kit 6200-15ASSM	1
10	top elbow body	VR6000-1	1
11	poppet bushing	VR6000-3	1
12	outlet O-Ring only	110319	1
13	poppet spring	L1110-L2287	1
14	FKM poppet seal	O-RING-AS-334	1
15	poppet valve	VR6000-4	1
16	outlet adapter bolt	use kit 6000NPHK	4
17	outlet adapter with outlet O-ring	VR6000-6	1
18	poppet valve stand off	VR6000-5	1
19	lock washer	use kit 6000NPHK	4
20	bolt	use kit 6000EHK	4
21	lock washer	use kit 6000EHK	4
22	body O-ring	AS156	1
23	grease nipple	NIPPLE/1	1
24	main seal gasket	6000-9	1
25	probe	VR6000-7	1
26	stem spring	112012	1
27	left arm	VR6000-9	1
28	right arm	VR6000-8	1
29	large bushing	use kit 6200BK	2
30	small bushing	use kit 6200BK	2
31 ²	pivot bushing	use kit 6200SHK²	1
32 ²	pivot stud	use kit 6200SHK²	1
33 ²	pivot lock nut	use kit 6200SHK²	1
34 ²	nylon washer	use kit 6200SHK²	2



Petroleum
Replacement Parts

Repair Kit

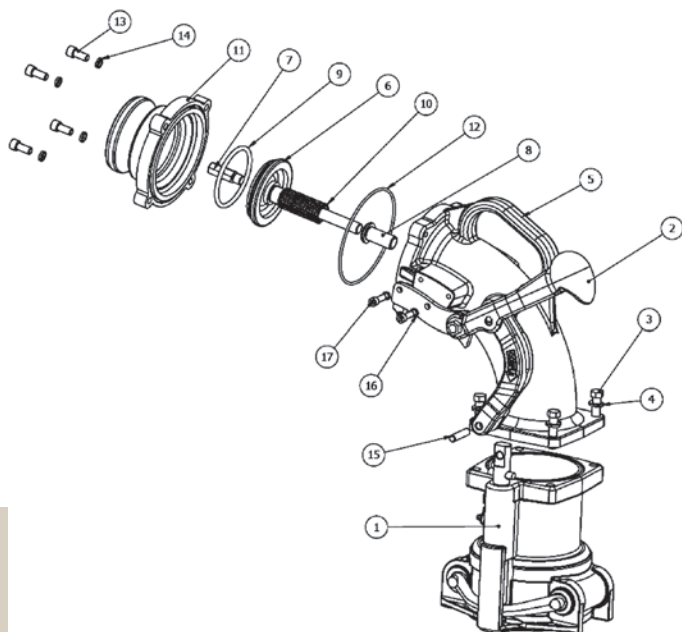
Part #	Description	Includes Item #
VR6230	complete replacement bottom unit	1, 2, 3, 22-30
6200BK	replacement small (2) and large (2) bushing kit	29, 30
6000EHK	replacement body lock washers and bolts	20, 21
6200SHK²	replacement pivot stud, bushing, washers & lock nut	31-34
6000NPHK	adapter kit bolts (4) and lock washers	16, 19
6200-15ASSM	replacement handle, linkage and pin	8, 9
6200SBK¹	replacement shoulder pivot bolt, wave washer and flat washer	5-7
VR6200ARK	arm and seal repair kit	14,22,24,27-30

¹ items 5 through 7 are for newer version with shoulder bolt pivot only,

² for older version with stud and nut pivot use items 31 through 34 instead

Fuel Delivery/Vapor Recovery

VR6500 Series Vapor Elbows



Bill of Materials

Item #	Description	Part #	Qty
1	complete bottom body	VR6230	1
2	handle assembly	use kit VR6500RK1	1
3	body bolt	use kit 6000EHK	4
4	body lock washer	use kit 6000EHK	4
5	elbow body	341784	1
6	poppet valve	VR6000-4	1
7	poppet valve stand off	VR6000-5	1
8	poppet bushing	VR6000-3	1
9	FKM O-ring	O-RING-AS-334	1
10	poppet spring	L1110-L2287	1
11	outlet adapter & O-ring	VR6000-6	1
12	outlet O-ring	110319	1
13	outlet adapter bolt	use kit 6000NPHK	4
14	outlet lock washer	use kit 6000NPHK	4
15	lower lever pin	111728	1
16	side plate lock washer	110172	2
17	side plate bolt	112242	2

Petroleum Replacement Parts

Repair Kit

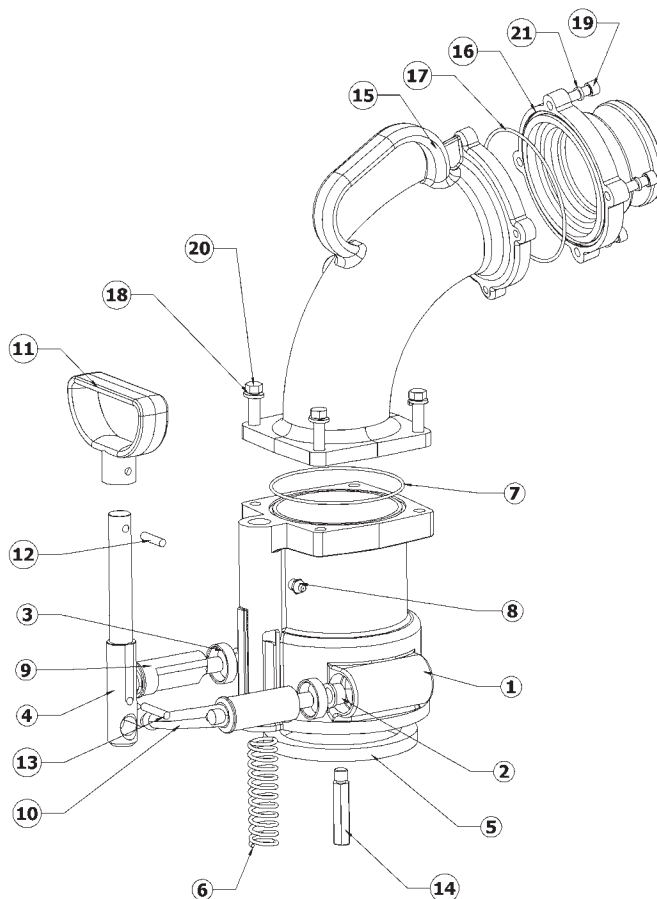
Part #	Description	Includes Item #
VR6500RK1	replacement handle, linkage, mounting plate, bolt, nut, bushing and pins	2
6000EHK	replacement (4) body bolts and washers	3, 4
6000NPHK	adapter hardware kit (4) bolts and lock washers	13, 14

Fuel Delivery/Vapor Recovery

VR6000NP Series Vapor Elbows

Bill of Materials

Item #	Description	Part #	Qty
1	bottom body	VR6000-2	1
2	small bushing	use kit 6200BK	2
3	large bushing	use kit 6200BK	2
4	handle stem	390842	1
5	main seal gasket	6000-9	1
6	spring	112012	1
7	O-ring	AS156	1
8	grease nipple	NIPPLE/1	1
9	right arm	VR6000-8	1
10	left arm	VR6000-9	1
11	D-handle	6000-8	1
12	D-handle pin	6000-13	1
13	spring pin	6000-12	1
14	probe	VR6000-7	1
15	elbow body	VR6000-1	1
16	outlet adapter and O-ring	VR6000-6	1
17	outlet O-ring (only)	110319	1
18	body lock washer	use kit 6200EHK	4
19	outlet adapter bolt	use kit 6000NPHK	4
20	body hex bolt	use kit 6200EHK	4
21	outlet adapter lock washer	use kit 6000NPHK	4



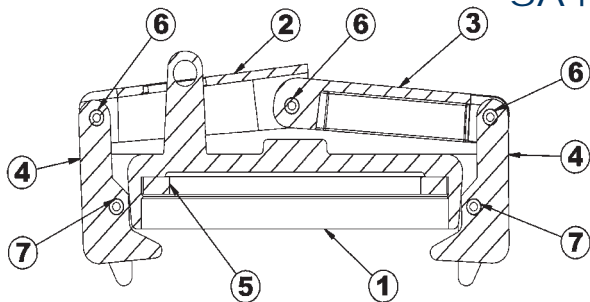
Repair Kit

Part #	Description	Includes Item #
6200BK	replacement small (2) and large (2) bushing kit	2, 3
6000EHK	replacement body lock washers and bolts	18, 20
6000NPHK	adapter kit bolts (4) and lock washers	19, 21
400637	complete replacement bottom unit	1, 2, 3, 4, 5, 6, 7, 8, 9, 10, 11, 12, 13, 14

Petroleum Replacement Parts

Fuel Delivery/Vapor Recovery

SA4050AL Caps

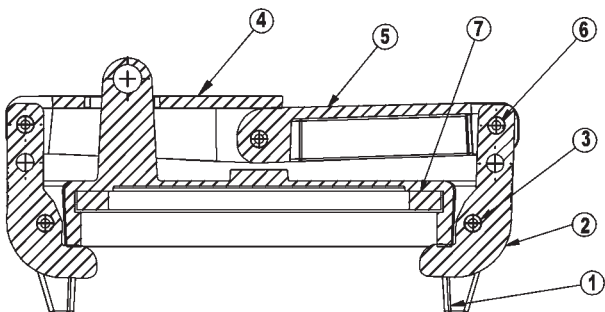


Bill of Materials

Item #	Description	Part #	Qty
1	cap body	---	1
2	top large lever	4050AL	1
3	minor lever	4062AL	1
4	cam arm	4063	2
5	gasket	400-G-BU	1
6	lever pin	4066	3
7	cam arm pin	4068	2

4" Vapor Caps

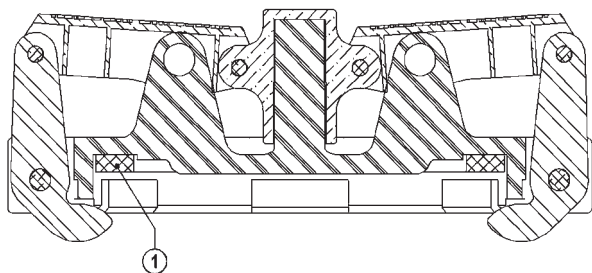
VR4050AL



Bill of Materials

Item #	Description	Part #	Qty
1	cap body	---	1
2	cam arm	VR4075	2
3	arm pin	4068	2
4	top large lever	VR4077	1
5	minor lever	VR4076	1
6	lever pin	4066	3
7	Buna gasket	400-G-BU	1

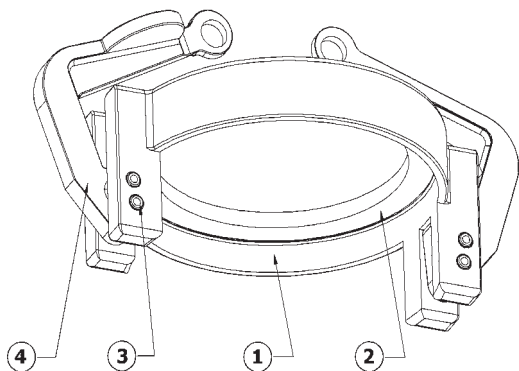
VR4050PL Series 4" Nylon Vapor Caps



Bill of Materials

Item #	Description	Part #	Qty
1	gasket	VR4050PLRK1	1

TL4070BZ Series Bronze Caps



Bill of Materials

Item #	Description	Part #	Qty
1	cap body	---	1
2	Buna gasket	400-G-BU	1
3	arm pin	4068	4
4	arm (lever)	4071	2

Petroleum Replacement Parts

Fuel Delivery/Vapor Recovery

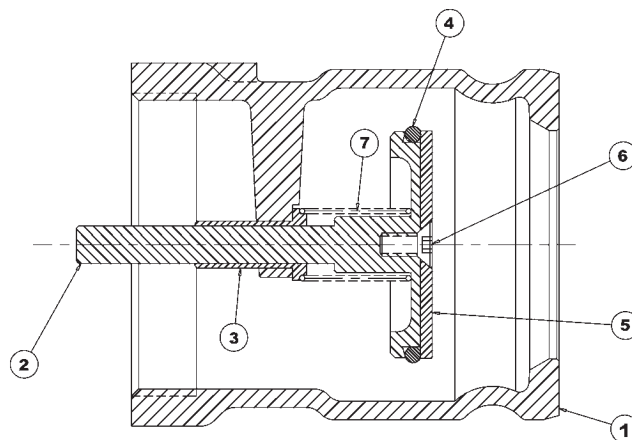
VR3100 Series 3" Vapor Hose Valves

Bill of Materials

Item #	Description	Part #	Qty
1	body	---	1
2	valve	341827	1
3	bushing	VR6000-3	1
4	FKM O-ring	O-RING-AS-334	1
5	valve plate	VR4100-3	1
6	screw	SC5-16NCX.75FSS	1
7	valve spring	SPRING-L5123	1

Repair Kit

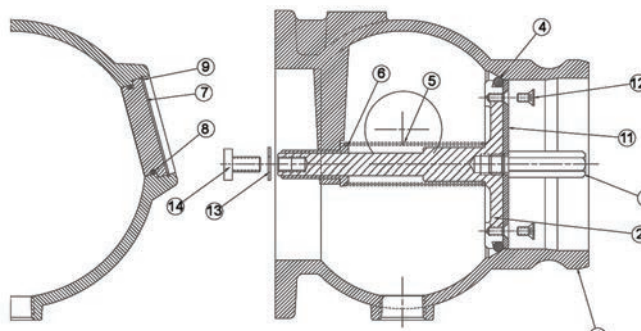
Part #	Description	Includes Item #
VR4100RK1	valve, bushing, O-ring, valve plate, screw, and spring	2, 3, 4, 5, 6, 7



VR4000 Series 4" Vapor Hose Valves

Bill of Materials

Item #	Description	Part #	Qty
1	body	---	1
2	valve	VR4000-2	1
3	valve standoff	VR4000-3	1
4	valve O-ring	O-RING-AS339-V	1
5	spring	SPRG/L4432	1
6	bushing	VR6000-3	1
7	sight glass	VR4000-4	2
8	sight glass O-ring	O-RING#132	2
9	retaining ring	RING-VH-225	2
10	plug	110748	1
11	valve plate	VR4000-5	1
12	valve plate screws	SC1024375-SS	2
13	washer	112270	1
14	hex cap screw	112269	1



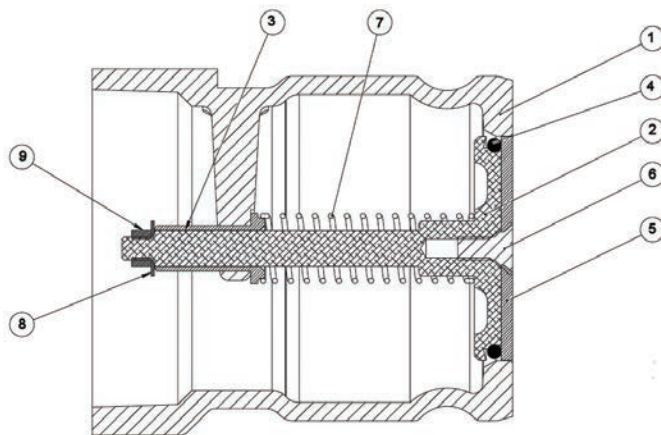
VR4100 Series 4" Vapor Hose Valves

Bill of Materials

Item #	Description	Part #	Qty
1	body	---	1
2	valve	341827	1
3	bushing	VR6000-3	1
4	FKM O-ring	O-RING-AS-334	1
5	valve plate	VR4100-3	1
6	screw	SC5-16NCX.75FSS	1
7	valve spring	SPRING-L5123	1
8	washer	112270	1
9	nut	112271	1

Repair Kit

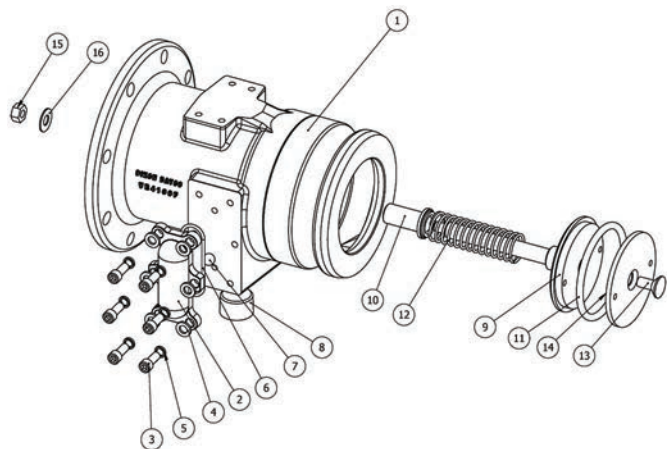
Part #	Description	Includes Item #
VR4100RK1	valve, bushing, O-ring, valve plate, screw, and spring	2, 3, 4, 5, 6, 7



Petroleum Replacement Parts

Fuel Delivery/Vapor Recovery

VR4100F Series Vapor Hose Valves



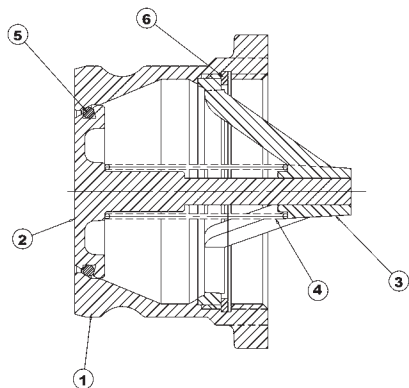
Bill of Materials

Item #	Description	Part #	Qty
1	body	---	1
2	sight glass	111575	1
3	sight glass bolts	111570	6
4	sight glass washer	111562	4
5	sight glass lock washer	111569	6
6	sight glass O-ring	111733	1
7	sight glass float ball	111572	1
8	3/4" body plug	112044	1
9	valve	VR4100-2	1
10	bushing	VR6000-3	1
11	FKM valve O-ring	O-RING-AS-334	1
12	valve spring	SPRING-L5123	1
13	screw	SC5-16NCX.75FSS	1
14	valve plate	VR4100-3	1
15	washer	112271	1
16	nut	112270	1

Repair Kit

Part #	Description	Includes Item #
5204K8	sight glass, O-ring, float ball	2, 6, 7
5204K12	hex bolts (6), lock washers (6), washers (4) kit	3, 4, 5

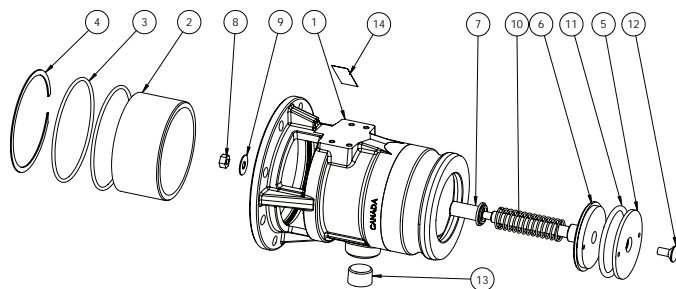
VR4086 Series Vapor Adapters



Bill of Materials

Item #	Description	Part #	Qty
1	body	---	1
2	valve	340331	1
3	valve spider	340304	1
4	spring	110892	1
5	FKM O-ring	O-RING-AS-334	1
6	body gasket	G4000AS	1

VR4100-SFI Series Vapor Hose Coupler



Bill of Materials

Item #	Description	Part #	Qty
1	body	341832	1
2	sight glass	391855	1
3	O-ring	112180	2
4	retaining ring	112281	1
5	plate	390663	1
6	valve	341827	1
7	bushing	390146	1
8	nut	112271	1
9	washer	112270	1
10	spring	111197	1
11	O-ring FKM	110691	1
12	screw	110842	1
13	plug	112044	1
14	warning label	112205	1

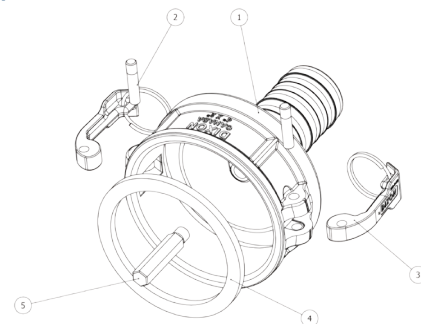
Petroleum Replacement Parts

Fuel Delivery/Vapor Recovery

4020-CVR-AL Vapor Hose Couplers

Bill of Materials

Item #	Description	Part #	Qty
1	body	---	1
2	pin	325-P	2
3	cam arm with ring	300-HR-BR	2
4	gasket 4"	400-G-BU	1
5	probe	VR6000-7	1



VR4030CS-AL Vapor Hose Couplers

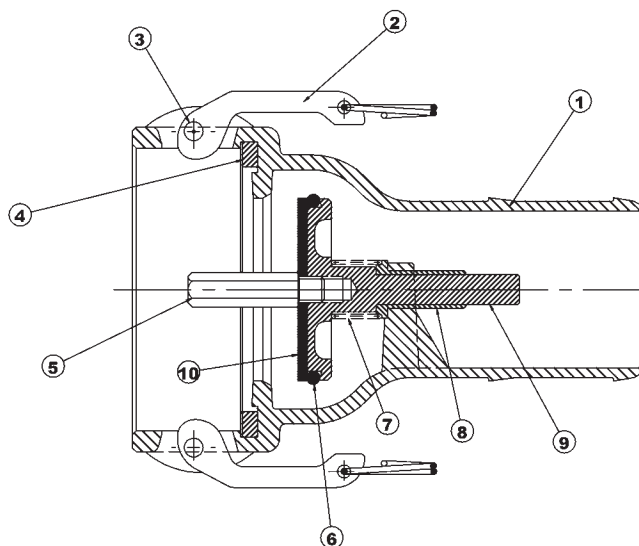
4" x 3" with poppet

Bill of Materials

Item #	Description	Part #	Qty
1	body	---	1
2	cam arm and ring	300-HRP-BR	2
3	cam pin	300-HRP-BR	2
4	Buna coupler gasket	400-G-BU	1
5	probe	VR6000-7	1
6	FKM valve O-ring	O-RING-AS-334	1
7	spring	SPRG/L4238	1
8	bushing	VR6000-3	1
9	valve	VR4030CS-1	1
10	valve plate	VR4030CS-4	1

Repair Kit

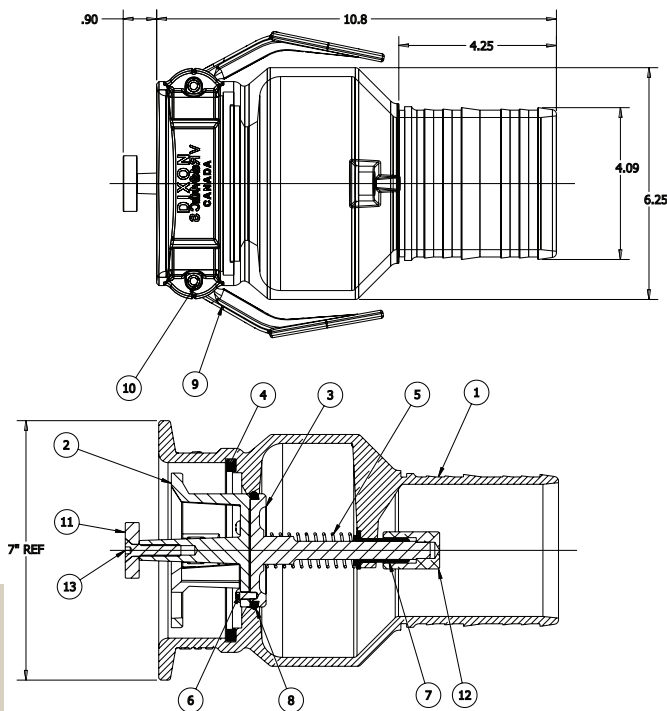
Part #	Description	Includes Item #
VAC4030RK	replacement cam arms, rings, pins, coupler gasket and valve O-ring	2, 3, 4, 6



Petroleum Replacement Parts

Fuel Delivery/Vapor Recovery

VR4040CS-AL, VR4040CS & VR4040CS-4MNPT Vapor Hose Couplers



Bill of Materials

Item #	Description	Part #	Qty
1	body	---	1
2	cage	341819	1
3	poppet	341820	1
4	gasket Buna -N	112262	1
5	spring	112263	1
6	machine screw	112264	3
7	bushing	VR6000-3	1
8	O-ring FKM	O-RING-AS-334	1
9	paddle arm	<i>use kit VR4040CSRK2</i>	2
10	cam arm pin	<i>use kit VR4040CSRK2</i>	2
11A	standard button (VR4040CS-AL & VR4040CS-4MNPT)	391860	1
11B	long button (VR4040CS-ALL)	391866	1
12	screw	112416	1
13	poppet stop	391868	1

Repair Kit

Part #	Description	Includes Item #
VR4040CSRK1	seal repair kit	2, 3, 10
VR4040CSRK2	cam arm repair kit	4, 6, 8
VR4040CSRK3	internal repair kit	2,3,5,6,7,8,11,12,13

Petroleum
Replacement Parts

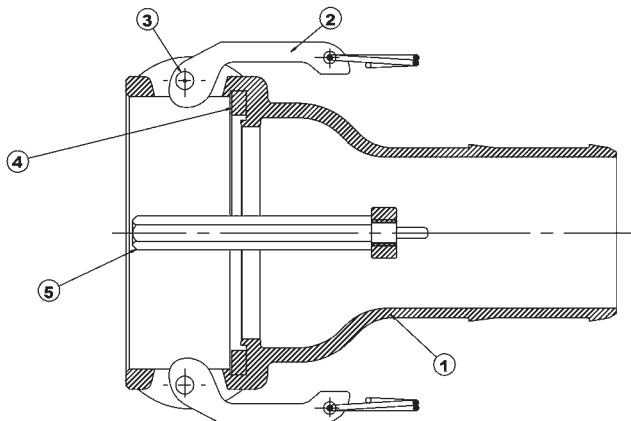
Fuel Delivery/Vapor Recovery

VR4030CS-NP Vapor Hose Couplers

4" x 3" without poppet

Bill of Materials

Item #	Description	Part #	Qty
1	body	---	1
2	cam arm and ring	300-HRP-BR	2
3	cam arm pin	300-HRP-BR	2
4	Buna coupler gasket	400-G-BU	1
5	probe	VR4030CS-3	1

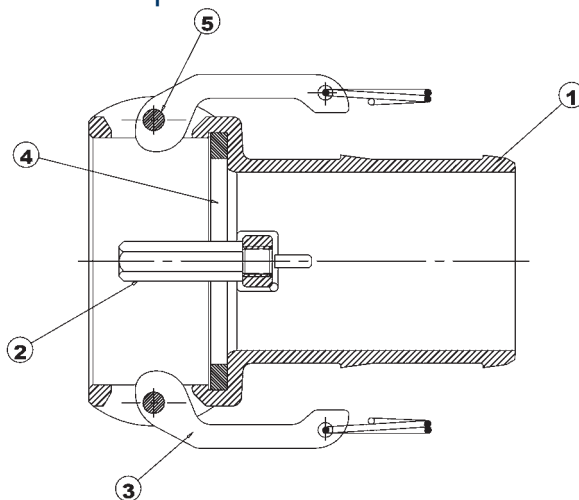


VRC3000AL Vapor Hose Couplers

3" x 3"

Bill of Materials

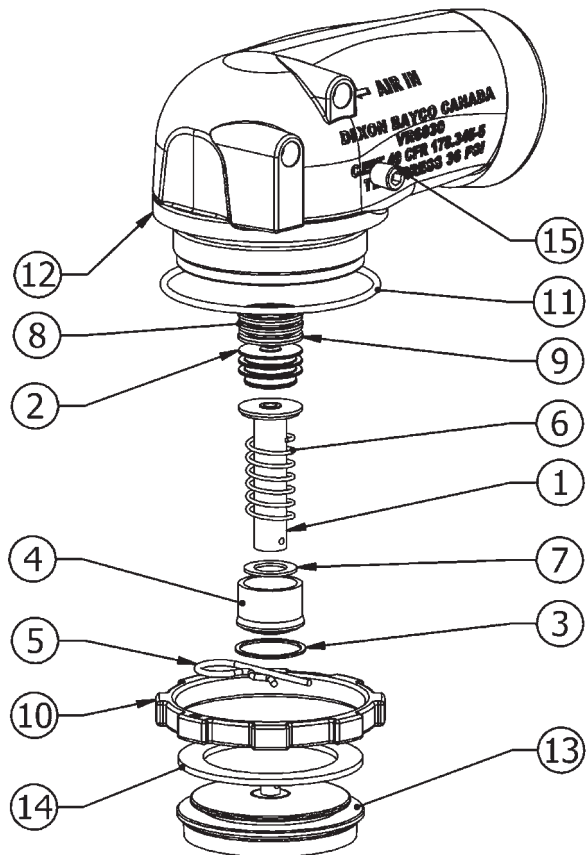
Item #	Description	Part #	Qty
1	body	---	1
2	probe	L4217	1
3	cam arm and ring	300-HRP-BR	2
4	Buna coupler gasket	300-G-BU	1
5	cam arm pin	300-HRP-BR	2



Petroleum
Replacement Parts

Fuel Delivery/Vapor Recovery

VR6030SQ Series Sequential Vapor Vents



Bill of Materials

Item #	Description	Part #	Qty
1	stem	400636	1
2	piston	use kit VR6030RK2	1
3	retaining ring	111681	1
4	bearing	390822	1
5	hitch pin	111680	1
6	spring	111679	1
7	bearing seal washer	111683	1
8	top lip seal	111686	2
9	bottom lip seal	111687	1
10A	mounting ring	390826	1
10B	mounting ring set screw	111693	1
11	O-ring	111692	1
12	body	---	1
13	poppet	341643	1
14A	Baylast™ poppet gasket	VR6030RK3	1
14B	FKM poppet gasket	VR6030RKV3	1
15	pipe plug	111694	1

VR6030 Repair Kits

Part #	Description	Includes Item #
VR6030RK1	replacement seal kit (with Baylast™ poppet seal)	2, 3, 5, 8, 9, 11, 14A
VR6030RKV1	replacement seal kit (with FKM poppet seal)	2, 3, 5, 8, 9, 11, 14B
VR6030RK2	replacement piston assembly	2, 8, 9
VR6030RK3	replacement Baylast™ poppet gasket	14
VR6030RKV3	replacement FKM poppet gasket	14

Petroleum
Replacement Parts

Fuel Delivery/Vapor Recovery

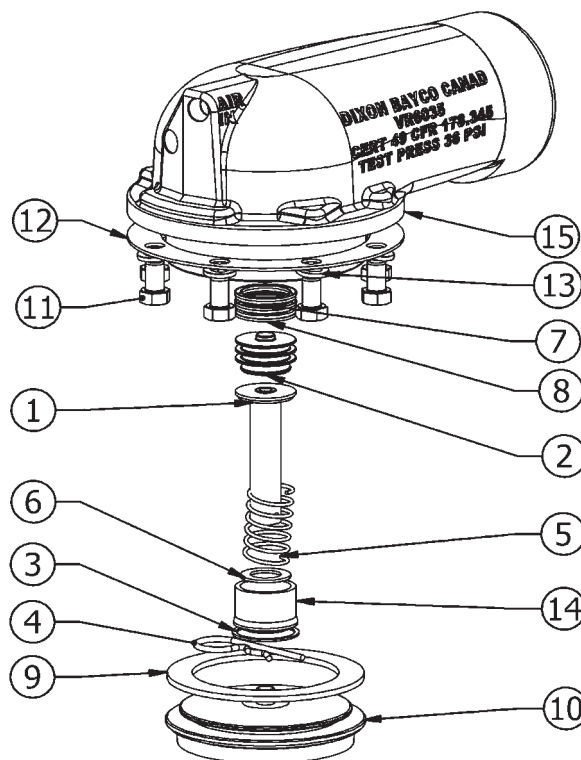
VR6035Q Series Sequential Vapor Vents

Bill of Materials

Item #	Description	Part #	Qty
1	stem assembly	400636	1
2	piston	use kit VR6030RK2	1
3	retaining ring	111681	1
4	cotter pin	111680	1
5	spring	111679	1
6	bearing seal washer	111683	1
7	lip seal	111686	2
8	lip seal	111687	1
9A	Baylast™ poppet gasket	VR6035RK3	1
9B	FKM poppet gasket	VR6035RKV3	1
10	poppet	341641	1
11	hex bolt	use kit VR6035RK4	8
12	body gasket	111689	1
13	lock washer	use kit VR6035RK4	8
14	stem bearing	390822	1
15	body	---	1

VR6035 Repair Kits

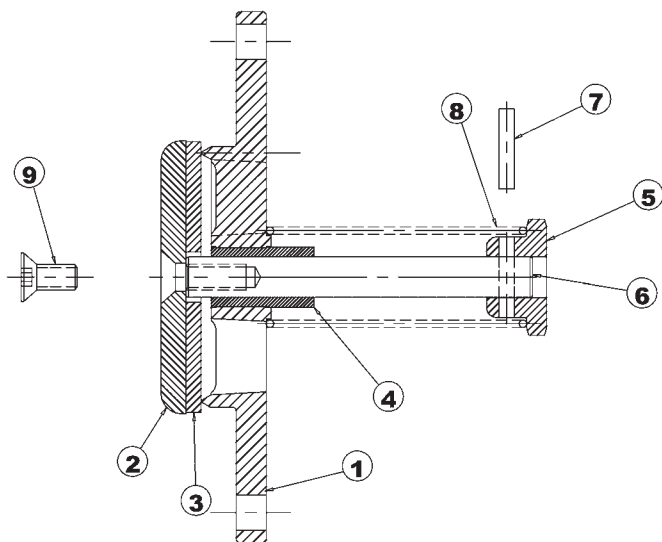
Part #	Description	Includes Item #
VR6035RK1	replacement seal kit (with Baylast™ poppet seal)	2, 3, 4, 7, 8, 9A, 12
VR6035RKV1	replacement seal kit (with FKM poppet seal)	2, 3, 4, 7, 8, 9B, 12
VR6035RK2	replacement piston assembly	2, 7, 8
VR6035RK3	replacement Baylast™ poppet gasket	9A
VR6035RKV3	replacement FKM poppet gasket	9B
VR6035RK4	replacement (8) bolts & lock washers	11, 13



Petroleum
Replacement Parts

Fuel Delivery/Vapor Recovery

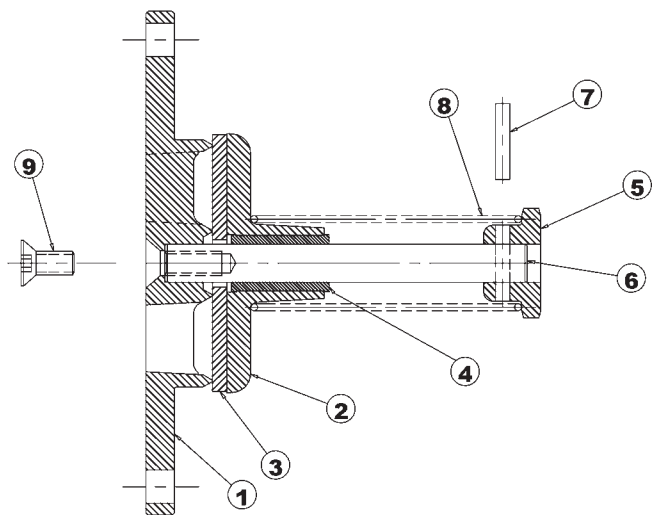
VRP3500 and VRP3600 Series Outbreathing Vents



Bill of Materials

Item #	Description	Part #	Qty
1	body	---	1
2	gasket base	VRP3500-2	1
3	gasket	VRV3501-3	1
4	bushing	VRP3500-4	1
5	spring retainer	VRV3501-5	1
6A	shaft for VRP3500	VRP3501-6	1
6B	shaft for VRP3600	390552	1
7	shaft pin	110717	1
8	spring	SPRG-L4506	1
9	screw	SC5-16NCx.75FSS	1

VRV3501 Series Inbreathing Vents



Bill of Materials

Item #	Description	Part #	Qty
1	body	---	1
2	gasket base	VRV3501-2	1
3	gasket	VRV3501-3	1
4	bushing	VRV3501-4	1
5	spring retainer	VRV3501-5	1
6	shaft	VRV3501-6	1
7	pin	110717	1
8	spring	SPRG-L4506	1
9	screw	SC5-16NCx.75FSS	1

Petroleum
Replacement Parts

Fuel Tanker

TDF Series Tube Doors

Repair Kits

Part #	Description
TDF68RK	6" and 8" repair kit, includes stainless steel spring, bushings and pin
TDF7RK	7" repair kit, includes stainless steel spring, bushings, pin and washer
SPRG-A4630	replacement stainless steel spring only



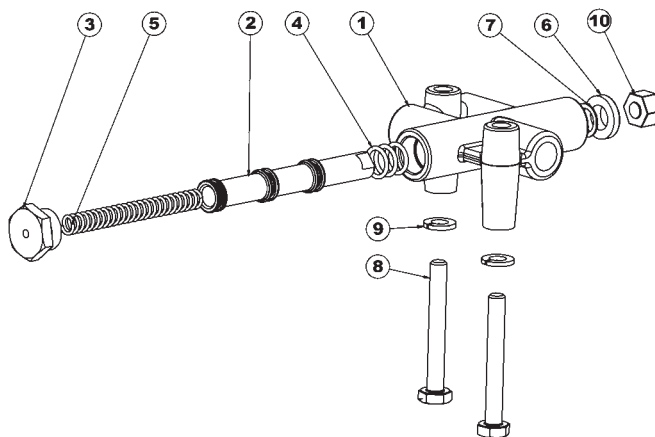
5000AIR Series Roller Ball End Air Interlock Valves

Bill of Materials

Item #	Description	Part #	Qty
1	body	---	1
2	piston	use kit 5000AIRSK	1
3	end plug	use kit 5000AIRSK	1
4	Buna O-ring	use kit 5000AIRSK	3
5	spring	use kit 5000AIRSK	1
6	urethane wiper	use kit 5000AIRSK	1
7	retaining ring	RING-WH-50	1
8	mounting bolts	use kit 5000AIHK	2
9	lock washer	use kit 5000AIHK	2
10	roller ball assembly	5000AIRRK1	1

Repair Kits

Part #	Description	Includes Item #
5000AIHK	replacement mounting bolts and lock washers	8, 9
5000AIRSK	replacement piston and seal kit	2, 3, 4, 5, 6
5000AIRRK1	replacement roller ball	10



Petroleum Replacement Parts

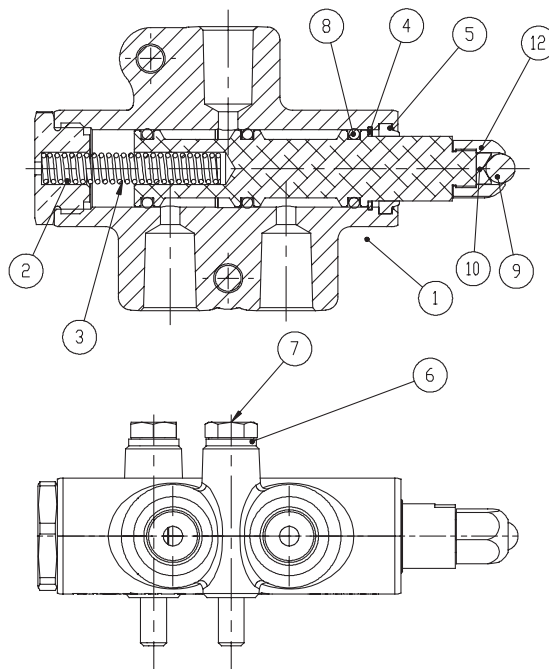
5000AIRHD Series Heavy Duty Roller Ball End Air Interlock Valves

Bill of Materials

Item #	Description	Part #	Qty
1	body	---	1
2	end plug	391848	1
3	wiper	112260	1
4	retaining ring	112261	1
5	spring	110897	1
6	lock washer	110928	2
7	mounting bolts	111196	2
8	O-ring	111SS3	3
9	ball	100202	1
10	bearing	390104	1
11	piston	391858	1
12	roller head cap	390105	1

Repair Kits

Part #	Description	Includes Item #
5000AIHK	replacement mounting bolts and lock washers	6, 7
5000AIRHDSK	replacement piston and seal kit	2, 3, 5, 8, 11
5000AIRRK1	replacement roller ball	9



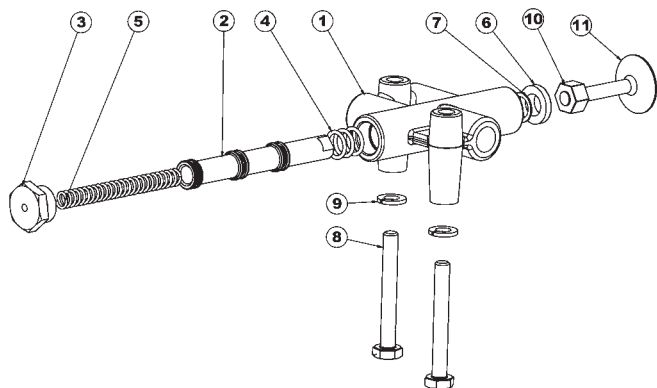
Fuel Tanker

5000AI Series Button Plunger End Air Interlock Valves

5000AI, 5000AIS and AIST

Bill of Materials

Item #	Description	Part #	Qty
1	body	---	1
2	piston	use kit 5000AISK	1
3A	end plug (5000AI, 5000AIST)	use kit 5000AISK	1
3B	electronic switch kit (not illustrated, for 5000AIS)	5000S	1
4	Buna O-ring	use kit 5000AISK	3
5	spring	use kit 5000AISK	1
6	urethane wiper	use kit 5000AISK	1
7	retaining ring	RING-WH-50	1
8	mounting bolt	use kit 5000AIHK	2
9	lock washer	use kit 5000AIHK	2
10	plunger nut	NUT.25HX-SS	1
11A	1" SS plunger button (5000AI)	use kit 5000AIRK1	1
11B	1½" SS plunger button (5000AIST)	use kit 5000ST	1



Repair Kits

Part #	Description	Includes Item #
5000AIHK	mounting bolt, lock washer	8, 9
5000AISK	piston, end plug, spring, O-ring, rod wiper	2, 3A, 4, 5, 6
5000AIRK1	plunger end, nut	10, 11A
5000ST	replacement 1½" plunger button and nut	10, 11B
5000S	electronic switch attachment kit	3B
5000AIRK2	plunger button extension and sleeve kit	--

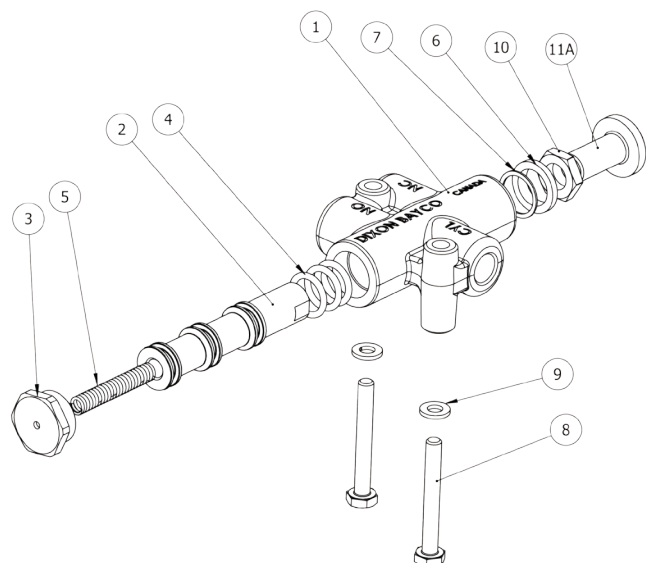
5000AIHD Series Heavy Duty Air Interlock Valve

Bill of Materials

Item #	Description	Part #	Qty
1	body	---	1
2	piston	use kit 5000AIHDSK	1
3	end plug	use kit 5000AIHDSK	1
4	O-ring	use kit 5000AIHDSK	3
5	spring	use kit 5000AIHDSK	1
6	wiper	use kit 5000AIHDSK	1
7	retaining ring	112251	1
8	mounting bolts	use kit 5000AIHK	2
9	lock washer	use kit 5000AIHK	2
10	nut	390909	1
11A	1" plunger end	use kit 5000AIHDRK1	
11B	1.5" plunger end	use kit 5000STHD	

Repair Kits

Part #	Description	Includes Item #
5000AIHK	mounting bolts and lock washers	8, 9
5000AIHDSK	replacement piston and seal kit	2, 3, 4, 5, 6
5000AIHDRK1	replacement 1" plunger assembly	10, 11A
5000STHD	replacement 1.5" plunger assembly	10, 11B



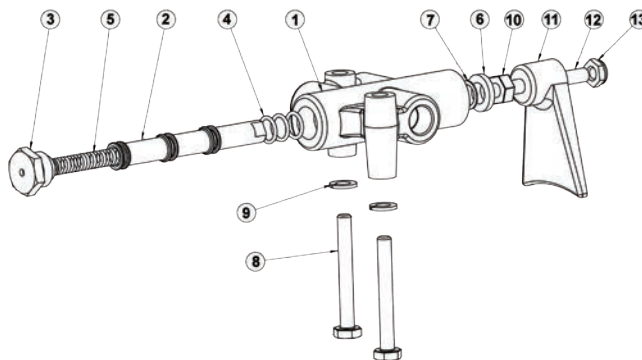
Petroleum Replacement Parts

Fuel Tanker

5000AIV Series Paddle End Air Interlock Valves

Bill of Materials

Item #	Description	Part #	Qty
1	body	---	1
2	piston	use kit 5000AISK	1
3	end plug	use kit 5000AISK	1
4	Buna O-ring	use kit 5000AISK	3
5	spring	use kit 5000AISK	1
6	urethane wiper	use kit 5000AISK	1
7	retaining ring	RING-WH-50	1
8	mounting bolt	use kit 5000AIHK	2
9	lock washer	use kit 5000AIHK	2
10	paddle nut	NUT.25HX-SS	1
11	paddle plunger	5000AI-2	1
12	paddle plunger stud	5000AI-5	1
13	paddle plunger lock nut	112370	1

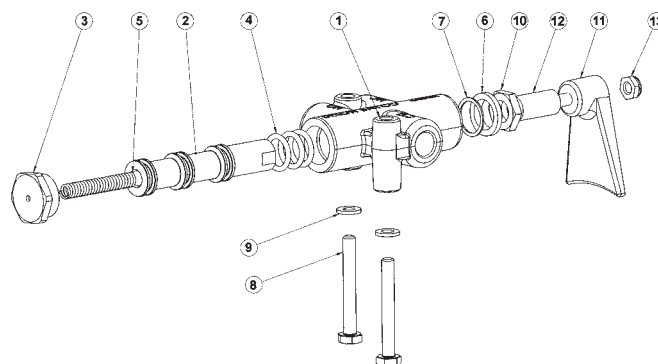


Repair Kits

Part #	Description	Includes Item #
5000AIHK	mounting bolt, lock washer	8, 9
5000AISK	piston, end plug, spring, O-ring, rod wiper	2, 3, 4, 5, 6

5000AIVHD Series Heavy Duty Paddle End Air Interlock Valves

Item #	Description	Part #	Qty
1	body	---	1
2	piston	use kit 5000AIHDSK	1
3	end plug	use kit 5000AIHDSK	1
4	O-ring	use kit 5000AIHDSK	1
5	spring	use kit 5000AIHDSK	1
6	wiper	use kit 5000AIHDSK	1
7	retaining ring	WH-77	1
8	mounting bolts	use kit 5000AIHK	2
9	lock washer	use kit 5000AIHK	2
10	nut	390909	3
11	paddle end	341142	1
12	stud	390910	1
13	lock nut	112370	1



Repair Kits

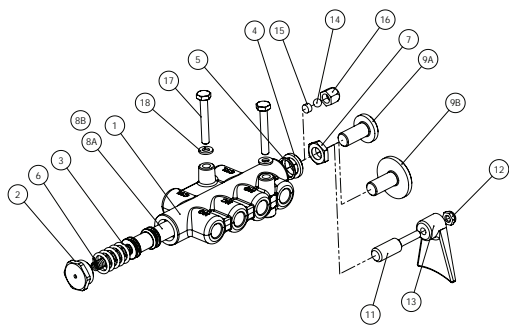
Part #	Description	Includes Item #
5000AIHK	mounting bolt, lock washer	8, 9
5000AIHDSK	replacement piston and seal kit	2, 3, 4, 5, 6

Petroleum Replacement Parts

Fuel Tanker

5006AIHD Series Heavy Duty Air Interlock Valve

NEW



Bill of Materials

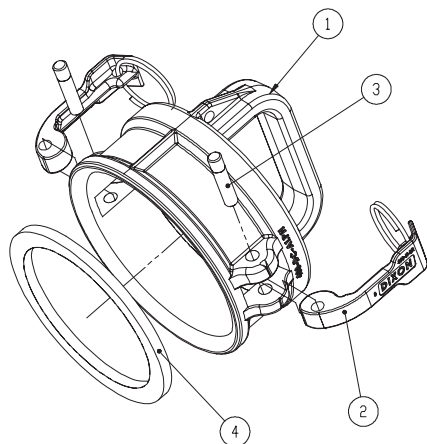
Item #	Description	5600AIHD	5006AISTHD	5006AIVHD	5006AIRHD
1	body	1	1	1	1
2	end plug	1	1	1	1
3	O-ring	5	5	5	5
4	wiper	1	1	1	1
5	retaining ring	1	1	1	1
6	spring	1	1	1	1
7	hex jam nut	1	1	1	1
8A	piston	1	1	1	-
8B	piston for air	-	-	-	1
9A	1" plunger end	1	-	-	-
10B	1½" plunger end	-	1	-	-
11	paddle plunger stud	-	-	1	-
12	nylon locknut	-	-	1	-
13	paddle plunger	-	-	1	-
14	ball	-	-	-	1
15	bearing	-	-	-	1
16	roller head cap	-	-	-	1
17	mounting bolt	2	2	2	2
18	lock washer	2	2	2	2

Repair Kits

Part #	Description	Includes Item #
5006AIHDSK	piston and seal kit for 5006AIHD and 5006AIVHD	2, 3, 4, 6, 8A
5006AIRHDSK	piston and seal kit for 5006AIRHD	2, 3, 4, 6, 8B

Petroleum Replacement Parts

400-DC-ALPH Dust Cap with Handle

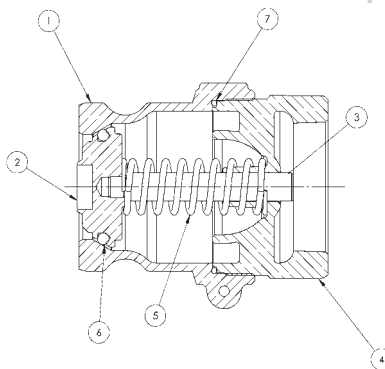


Item #	Description	Part #	Qty
1	dust cap with handle	400-DC-ALPH	1
2	cam arm with ring	300-HR-BR	2
3	pin	325-P	2
4	4" gasket	400-G-BU	1

Dry Disconnects

DBA Cam and Groove Dry Disconnects

Aluminum and Stainless Adapters



1½" aluminum adapter(DBA6x), zinc adapter (DBA1x)

Bill of Materials

DBA1x-150, DBA6x-150 & DBA1x-1520

Item #	Description	Part #	Qty
1A	aluminum adapter body (DBA6x-150)	40129AL	1
1B	zinc adapter body (DBA1x-150 & DBA1x-1520)	40129ZA	1
2	poppet	40130AL	1
3A	stem (DBA1x-150 & DBA1x-1520)	40133BR	1
3B	stem (for DBA6x-150)	40133SS-001	1
4A	thread end body	40131AL	1
4B	thread end body (for DBA1x1520)	40303AL	1
5	poppet spring	40132SS	1
6A	poppet O-ring Buna	use kit DBAK1-150	1
6B	poppet O-ring FKM	use kit DBAK2-150	1
6C	poppet O-ring PTFE/Silicone	use kit DBAK3-150	1
6D	poppet O-ring EPDM	use kit DBAK4-150	1
6E	poppet O-ring Kalrez®	use kit DBAK6-150	1
6F	poppet O-ring PTFE/FKM	use kit DBAK7-150	1
7A	body O-ring Buna	use kit DBAK1-150	1
7B	body O-ring FKM	use kit DBAK2-150	1
7C	body O-ring PTFE	use kit DBAK3-150, DBAK6-150 or DBAK7-150	1
7D	body O-ring EPDM	use kit DBAK4-150	1

1½" stainless adapter,

Bill of Materials DBA7x-150

Item #	Description	Part #	Qty
1	stainless adapter body	40129SS	1
2	poppet	40130SS	1
3	stem	40133SS-002	1
4	thread end body	40131SS	1
5	poppet spring	40132SS	1
6A	poppet O-ring Buna	use kit DBAK1-150	1
6B	poppet O-ring FKM	use kit DBAK2-150	1
6C	poppet O-ring PTFE/Silicone	use kit DBAK3-150	1
6D	poppet O-ring EPDM	use kit DBAK4-150	1
6E	poppet O-ring Kalrez®	use kit DBAK6-150	1
6F	poppet O-ring PTFE/FKM	use kit DBAK7-150	1
7A	body O-ring Buna	use kit DBAK1-150	1
7B	body O-ring FKM	use kit DBAK2-150	1
7C	body O-ring PTFE	use kit DBAK3-150, DBAK6-150 or DBAK7-150	1
7D	body O-ring EPDM	use kit DBAK4-150	1

2" aluminum adapter(DBA6x), zinc adapter (DBA1x)

Bill of Materials

DBA1x-200, DBA6x-200

Item #	Description	Part #	Qty
1A	aluminum adapter body (DBA6x-200)	40001AL	1
1B	zinc adapter Body (DBA1x-200)	40001ZA	1
2	poppet	40002AL	1
3A	stem (for DBA1x-200)	40005BR	1
3B	stem (for DBA6x-200)	40005SS-001	1
4	thread end body	40003AL	1
5	poppet spring	40004SS	1
6A	poppet O-ring Buna	use kit DBAK1-200	1
6B	poppet O-ring FKM	use kit DBAK2-200	1
6C	poppet O-ring PTFE/Silicone	use kit DBAK3-200	1
6D	poppet O-ring EPDM	use kit DBAK4-200	1
6E	poppet O-ring Kalrez®	use kit DBAK6-200	1
6F	poppet O-ring PTFE/FKM	use kit DBAK7-200	1
7A	body O-ring Buna	use kit DBAK1-200	1
7B	body O-ring FKM	use kit DBAK2-200	1
7C	body O-ring PTFE	use kit DBAK3-200, DBAK6-200 or DBAK7-200	1
7D	body O-ring EPDM	use kit DBAK4-200	1

2" stainless adapter,

Bill of Materials DBA7x-200

Item #	Description	Part #	Qty
1	stainless adapter body	40001SS	1
2	poppet	40002SS	1
3	stem	40005SS-002	1
4	thread end body	40003SS	1
5	poppet spring	40004SS	1
6A	poppet O-ring Buna®	use kit DBAK1-200	1
6B	poppet O-ring FKM	use kit DBAK2-200	1
6C	poppet O-ring PTFE/Silicone	use kit DBAK3-200	1
6D	poppet O-ring EPDM	use kit DBAK4-200	1
6E	poppet O-ring Kalrez®	use kit DBAK6-200	1
6F	poppet O-ring PTFE/FKM	use kit DBAK7-200	1
7A	body O-ring Buna	use kit DBAK1-200	1
7B	body O-ring FKM	use kit DBAK2-200	1
7C	body O-ring PTFE	use kit DBAK3-200, DBAK6-200 or DBAK7-200	1
7D	body O-ring EPDM	use kit DBAK4-200	1

Petroleum Replacement Parts

Dry Disconnects

DBA Cam and Groove Dry Disconnects

Aluminum and Stainless Adapters

3" aluminum adapter(DBA6x), zinc adapter(DBA1x)

Bill of Materials

DBA1x-300, DBA6x-300

Item #	Description	Part #	Qty
1	aluminum adapter body	40180AL	1
1B	zinc adapter body	40180ZA	1
2	poppet	40182AL	1
3	stem	40183BR	1
4	thread end body	40181AL	1
5	poppet spring	40184SS	1
6A	poppet O-ring Buna	use kit DBAK1-300	1
6B	poppet O-ring FKM	use kit DBAK2-300	1
6C	poppet O-ring PTFE/Silicone	use kit DBAK3-300	1
6D	poppet O-ring EPDM	use kit DBAK4-300	1
6E	poppet O-ring Kalrez®	use kit DBAK6-300	1
6F	poppet O-ring PTFE/FKM	use kit DBAK7-300	1
6G	poppet O-ring FKM "B"	use kit DBAK9-300	1
7A	body O-ring Buna	use kit DBAK1-300	1
7B	body O-ring FKM	use kit DBAK2-300	1
		use kit DBAK3-300,	
7C	body O-ring PTFE	DBAK6-300 or DBAK7-300	1
7D	body O-ring EPDM	use kit DBAK4-300	1
7E	body O-ring FKM-B	use kit DBAK9-300	1

3" stainless adapter

Bill of Materials

DBA7x-300

Item #	Description	Part #	Qty
1	stainless adapter body	40180SS	1
2	poppet	40182SS	1
3	stem	40183SS	1
4	thread end body	40181SS	1
5	poppet spring	40184SS	1
6A	poppet O-ring Buna	use kit DBAK1-300	1
6B	poppet O-ring FKM	use kit DBAK2-300	1
6C	poppet O-ring PTFE/ Silicone®	use kit DBAK3-300	1
6D	poppet O-ring EPDM	use kit DBAK4-300	1
6E	poppet O-ring Kalrez®	use kit DBAK6-300	1
6F	poppet O-ring PTFE/ FKM	use kit DBAK7-300	1
6G	Poppet O-ring FKM-B	use kit DBAK9-300	1
7A	body O-ring Buna	use kit DBAK1-300	1
7B	body O-ring FKM	use kit DBAK2-300	1
7C	body O-ring PTFE	use kit DBAK3-300	1
7D	body O-ring EPDM	use kit DBAK4-300	1
7E	body O-ring FKM-B	use kit DBAK9-300	1

Petroleum Replacement Parts

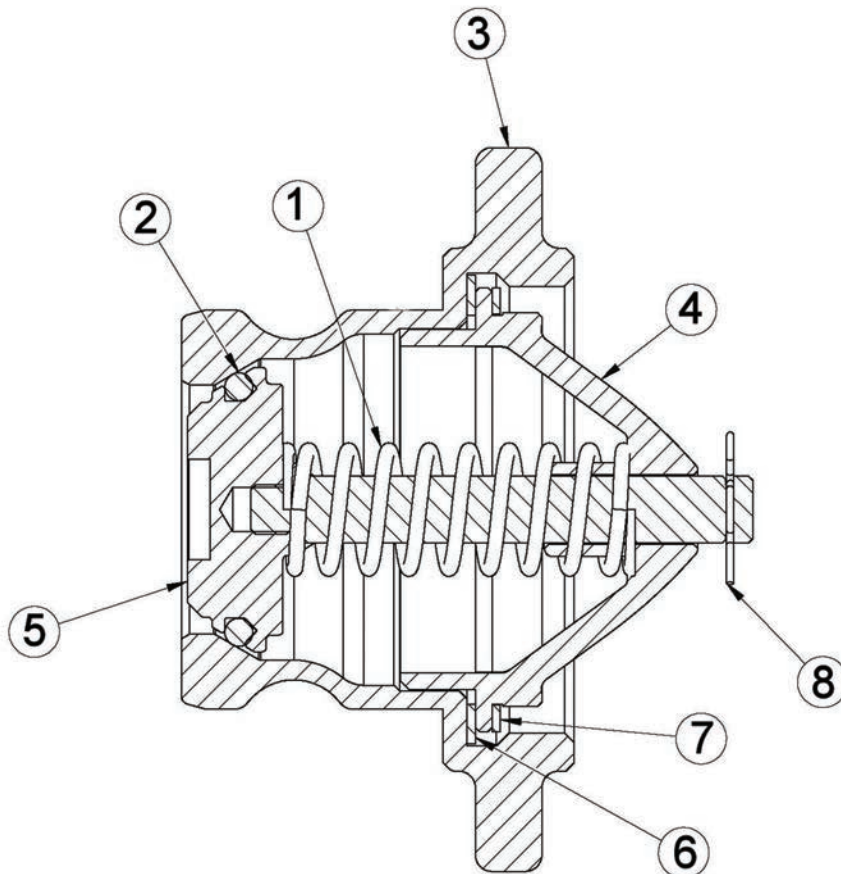
Repair Kits

Part #	Description	Includes Item #
DBAK1-150	1½" replacement Buna seals	6A, 7A
DBAK2-150	1½" replacement FKM seals®	6B, 7B
DBAK3-150	1½" replacement PTFE/Silicone® seals	6C, 7C
DBAK4-150	1½" replacement EPDM seals	6D, 7D
DBAK6-150	1½" replacement PTFE/Kalrez® seals	6E, 7C
DBAK7-150	1½" replacement PTFE/FKM seals®	6F, 7C
DBAK1-200	2" replacement Buna seals	6A, 7A
DBAK2-200	2" replacement FKM seals	6B, 7B
DBAK3-200	2" replacement PTFE/Silicone® seals	6C, 7C
DBAK4-200	2" replacement EPDM seals	6D, 7D
DBAK6-200	2" replacement PTFE/Kalrez® seals	6E, 7C
DBAK7-200	2" replacement PTFE/FKM seals	6F, 7C
DBAK1-300	3" replacement Buna seals	6A, 7A
DBAK2-300	3" replacement FKM seals	6B, 7B
DBAK3-300	3" replacement PTFE/Silicone® seals	6C, 7C
DBAK4-300	3" replacement EPDM seals	6D, 7D
DBAK6-300	3" replacement PTFE/Kalrez® seals	6E, 7C
DBAK7-300	3" replacement PTFE/FKM seals	6F, 7C
DBAK9-300	3" replacement FKM-B seals	6G, 7E

Dry Disconnects

DBVA Cam and Groove Dry Disconnects

Stainless Vapor Adapter



Petroleum
Replacement Parts

2" x 3" stainless vapor adapter
Bill of Materials DBVA73-200

Item #	Description	Part #	Qty
1	spring	40004SS	1
2	poppet O-ring PTFE/Silicone	40006TS	1
3	adapter body	--	1
4	bridge	40175SS	1
5	poppet assembly	40187SSSS	1
6	large body gasket	40190TF	1
7	small body gasket	40191TF	1
8	poppet clip	40192SS	1



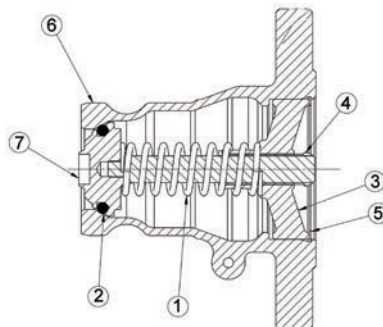
Call Toll Free: 1-866-711-4673
International: +1-727-342-5086



Dry Disconnects

DBAF Cam and Groove Dry Disconnects

Stainless Flange Adapter



2" flange x 1½" stainless adapter

Bill of Materials DBAF7x-1520

Item #	Description	Part #	Qty
1	spring	40004SS	1
2A	poppet O-ring Buna	40134BN	1
2B	poppet O-ring FKM	40134VI	1
2C	poppet O-ring PTFE/Silicone®	40134TS	1
2D	poppet O-ring EPDM	40134EP	1
2E	poppet O-ring Kalrez®	40134KR	1
3	bridge	40341SS	1
4	bearing	40343TF	1
5	retaining ring	40344SS	1
6	body	---	1
7	poppet assembly	40347SSSS	1

2" flange x 2" stainless adapter

Bill of Materials DBAF7x-200

Item #	Description	Part #	Qty
1	spring	40004SS	1
2A	poppet O-ring Buna	40006BN	1
2B	poppet O-ring FKM	40006VI	1
2C	poppet O-ring PTFE/Silicone®	40006TS	1
2D	poppet O-ring EPDM	40006EP	1
2E	poppet O-ring Kalrez®	40006KR	1
3	bridge	40341SS	1
4	bearing	40343TF	1
5	retaining ring	40344SS	1
6	body	---	1
7	poppet assembly	40342SSSS	1

3" flange x 3" stainless adapter

Bill of Materials DBAF7x-300

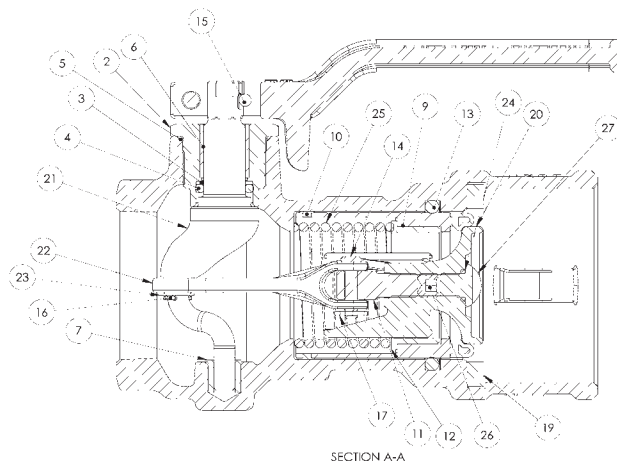
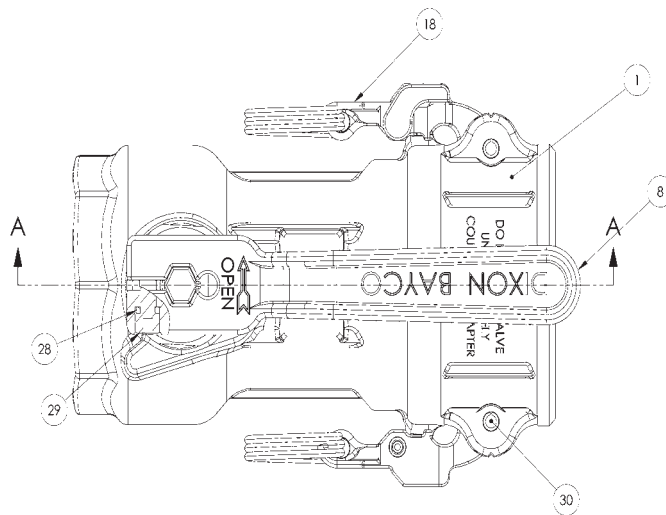
Item #	Description	Part #	Qty
1	spring	40184SS	1
2A	poppet O-ring Buna	40185BN	1
2B	poppet O-ring FKM	40185VI	1
2C	poppet O-ring PTFE/Silicone®	40185TS	1
2D	poppet O-ring EPDM	40185EP	1
2E	poppet O-ring Kalrez®	40185KR	1
3	bridge	40360SS	1
4	bearing	40362TF	1
5	retaining ring	40361SS	1
6	body	---	1
7	poppet assembly	40359SSSS	1

Petroleum Replacement Parts

Dry Disconnects

DBC Cam and Groove Dry Disconnects

Aluminum and Stainless Couplers



Bill of materials and repair kits can be found on the following pages:

- DBC6x-150 see page 104
- DBC7x-150 see page 105
- DBC6x-200 see page 106
- DBC7x-200 see page 107
- DBC6x-300 see page 109
- DBC7x-300 see page 110
- DBS6x-200 see page 112

Petroleum Replacement Parts



Call Toll Free: 1-866-711-4673
International: +1-727-342-5086



Dry Disconnects

DBC Cam and Groove Dry Disconnects

1½" Aluminum Couplers

1½" aluminum coupler

Bill of Materials

DBC6x-150

Item #	Description	Part #	Qty
1	body	---	1
2	stuffing box	40074SS	1
3	back up ring	40075TF	1
4A	crank shaft O-ring Buna (for DBC61-150)	40076BN	1
4B	crank shaft O-ring FKM (for DBC62-150)	40076VI	1
4C	crank shaft O-ring Kalrez® (for DBC63-150)	40076KR	1
4D	crank shaft O-ring EPDM (for DBC63-150, DBC66-150 & DBC67-150)	40076EP	1
5	stuffing box PTFE O-ring	40077TF	1
6	large crank shaft bearing	40078FG	1
7	small crank shaft bearing	40079SS	1
8	lever (handle)	40080SS	1
9A	seal cylinder (for DBC61-150)	40117ALBN	1
9B	seal cylinder (for DBC62-150)	40117ALVI	1
9C	seal cylinder (for DBC63-150, DBC66-150 & DBC67-150)	40169SS	1
9D	seal cylinder (for DBC64-150)	40117ALEP	1
10	PTFE button	40082TF	6
11	yoke	40118SS	1
12	PTFE bushing	40119TF	1
13A	body O-ring Buna (for DBC61-150)	40120BN	1
13B	body O-ring FKM (for DBC62-150)	40120VI	1
13C	body O-ring PTFE/Silicone®- (for DBC63-150)	40120TS	1
13D	body O-ring EPDM (for DBC64-150)	40120EP	1
13E	body O-ring Kalrez® (for DBC66-150)	40120KR	1
13F	body O-ring PTFE/FKM (for DBC67-150)	40120TV	1
14	link rivet	40086SS	1
15	groove pin	40087SS	1
16	crank shaft cotter pin	40088SS	1
17	link cotter pin	40088SS	1
18	EZ Boss-Lock™ cam arm	40089SS	2
19A	cam gasket Buna (for DBC61-150)	200-G-BU	1
19B	cam gasket FKM (for DBC62-150)	200-G-VI	1
19C	cam gasket PTFE/Silicone® (for DBC63-150)	200-G-TES	1
19D	cam gasket EPR (for DBC64-150)	200-G-EPR	1
19E	cam gasket PTFE/FKM (for DBC66-150 & DBC67-150)	200-G-TFVI	1
20	poppet	40114SS	1
21	crank shaft	40115SS	1
22	link arm	40116SS	1
23	link washer	40094SS	1
24	poppet screw PTFE O-ring	40122TF	1
25	cylinder spring	DBCxx-150RK8	1
26	set screw	40124SS	1
27	poppet screw (round head)	40125SS	1
28	lock washer	40099SS	1
29	socket head cap screw	40100SS	1
30	cam arm spring pin	40101SS	2
31	nose seal (for DBC63-150, DBC66-150 & DBC67-150)	40171TF	1

Repair Kits

Part #	Description	Includes Item #
DBCx1-150RK1 (Buna-N)	replacement seal kit, Buna crank shaft O-ring, PTFE stuffing box O-ring, Buna body O-ring, Buna cam gasket, PTFE O-ring (for DBC61-150)	4A, 5, 13A, 19A, 24
DBCx2-150RK1 (FKM)	replacement seal kit, FKM crank shaft O-ring, PTFE stuffing box O-ring, FKM body O-ring, FKM cam gasket, PTFE O-ring (for DBC62-150)	4B, 5, 13B, 19B, 24
DBCx3-150RK1 (PTFE and Kalrez®)	replacement seal kit, Kalrez® crank shaft O-ring, PTFE stuffing box O-ring, PTFE/Silicone® body O-ring, PTFE/Silicone® cam gasket, PTFE O-ring (for DBC63-150)	4C, 5, 13C, 19C, 24
DBCx4-150RK1 (EPDM)	replacement seal kit, EPDM crank shaft O-ring, PTFE stuffing box O-ring, EPDM body O-ring, EPR cam gasket, PTFE O-ring (for DBC64-150)	4D, 5, 13D, 19D, 24
DBCx6-150RK1 (Kalrez® & PTFE/FKM)	replacement seal kit, Kalrez® crank shaft O-ring, PTFE stuffing box O-ring, Kalrez® body O-ring, PTFE/FKM cam gasket, PTFE O-ring (for DBC66-150)	4C, 5, 13E, 19E, 24
DBCx7-150RK1	replacement seal kit, Kalrez® crank shaft O-ring, PTFE stuffing box O-ring, PTFE/FKM body O-ring, PTFE/FKM cam gasket, PTFE O-ring (for DBC67-150)	4C, 5, 13F, 19E, 24
DBC61-150RK2	replacement Buna seal cylinder, PTFE buttons and PTFE bushing (for DBC61-150)	9A, 10, 12
DBC62-150RK2	replacement FKM seal cylinder, PTFE buttons and PTFE bushing (for DBC62-150)	9B, 10, 12
DBCx3-150RK2	replacement PTFE nose seal, PTFE buttons and PTFE bushing (for DBC63-150, DBC66-150 & DBC67-150)	10, 12, 31
DBC64-150RK2	replacement EPDM seal cylinder, PTFE buttons and PTFE bushing (for DBC64-150)	9D, 10, 12
DBCxx-150RK4	replacement link kit, link rivet, cotter pins, link washer, link arm and yoke (for all 1½" aluminum)	11, 14, 16, 17, 22, 23
DBCxx-150RK5	replacement stuffing box kit, stuffing box, PTFE O-ring and large crank shaft bearing (for all 1½" aluminum)	2, 5, 6
DBCxx-150RK6	replacement lever (handle) kit, lever, groove pin, lock washer and socket head cap screw (for all 1½" aluminum)	8, 15, 28, 29
DBCxx-150RK7	replacement crank shaft kit, crank shaft, cotter pin and washer (for all 1½" aluminum)	16, 21, 23
DBCxx-150RK8	main cylinder spring	25
DBCxx-150RK9	replacement poppet kit, poppet, round head screw, set screw and PTFE washer (for all 1½" aluminum)	20, 24, 26, 27
DBCL-200	optional add on padlockable lever kit, handle (for all 1½")	not illustrated

Petroleum Replacement Parts

Dry Disconnects

DBC Cam and Groove Dry Disconnects

1½" Stainless Couplers

1½" stainless coupler

Bill of Materials

DBC7x-150

Item #	Description	Part #	Qty
1	body	---	1
2	stuffing box	40074SS	1
3	back up ring	40075TF	1
4A	crank shaft O-ring Buna (for DBC71-150)	40076BN	1
4B	crank shaft O-ring FKM (for DBC72-150)	40076VI	1
4C	crank shaft O-ring Kalrez® (for DBC73-150, DBC76-150 and DBC77-150)	40076KR	1
4D	crank shaft O-ring EPDM (for DBC74-150)	40076EP	1
5	stuffing box PTFE O-ring	40077TF	1
6	large crank shaft bearing	40078FG	1
7	small crank shaft bearing	40079SS	1
8	lever (handle)	40080SS	1
9A	seal cylinder (for DBC71-150)	40117SSBN	1
9B	seal cylinder (for DBC72-150)	40117SSVI	1
9C	seal cylinder (for DBC73-150, DBC76-150 and DBC77-150)	40169SS	1
9D	seal cylinder (for DBC74-150)	40117SSEP	1
10	PTFE button	40082TF	6
11	yoke	40118SS	1
12	PTFE bushing	40119TF	1
13A	body O-ring Buna (for DBC71-150)	40120BN	1
13B	body O-ring FKM (for DBC72-150)	40120VI	1
13C	body O-ring PTFE/Silicone® (for DBC73-150)	40120TS	1
13D	body O-ring EPDM (for DBC74-150)	40120EP	1
13E	body O-ring Kalrez® (for DBC76-150)	40120KR	1
13F	body O-ring PTFE/FKM (for DBC77-150)	40120TV	1
14	link rivet	40086SS	1
15	groove pin	40087SS	1
16	crank shaft cotter pin	40088SS	1
17	link cotter pin	40088SS	1
18	EZ Boss-Lock™ cam arm	40089SS	2
19A	cam gasket Buna (for DBC71-150)	200-G-BU	1
19B	cam gasket FKM (for DBC72-150)	200-G-VI	1
19C	cam gasket PTFE/Silicone® (for DBC73-150)	200-G-TES	1
19D	cam gasket EPDM (for DBC74-150)	200-G-EPR	1
19E	cam gasket PTFE/FKM (for DBC76-150 and DBC77-150)	200-G-TFVI	1
20	poppet	40114SS	1
21	crank shaft	40115SS	1
22	link arm	40116SS	1
23	link washer	40094SS	1
24	poppet screw PTFE O-ring	40122TF	1
25	cylinder spring	DBCxx-150RK8	1
26	set screw	40124SS	1
27	poppet screw (round head)	40125SS	1
28	lock washer	40099SS	1
29	socket head cap screw	40100SS	1
30	cam arm spring pin	40101SS	2
31	nose seal (for DBC73-150, DBC76-150 and DBC77-150)	40171TF	1

Repair Kits

Part #	Description	Includes Item #
DBCx1-150RK1 (Buna-N)	replacement seal kit, Buna crank shaft O-ring, PTFE stuffing box O-ring, Bunabody O-ring, Buna cam gasket, PTFE O-ring (for DBC71-150)	4A, 5, 13A, 19A, 24
DBCx2-150RK1 (FKM)	replacement seal kit, FKM crank shaft O-ring, PTFE stuffing box O-ring, FKM body O-ring, FKM cam gasket, PTFE O-ring (for DBC72-150)	4B, 5, 13B, 19B, 24
DBCx3-150RK1 (PTFE/Silicone & Chemrez®)	replacement seal kit, Kalrez® crank shaft O-ring, PTFE stuffing box O-ring, PTFE/Silicone body O-ring, PTFE/Silicone cam gasket, PTFE O-ring (for DBC73-150)	4C, 5, 13C, 19C, 24
DBCx4-150RK1 (EPDM)	replacement seal kit, EPDM crank shaft O-ring, PTFE stuffing box O-ring, EPDM body O-ring, EPR cam gasket, PTFE O-ring (for DBC74-150)	4D, 5, 13D, 19D, 24
DBCx6-150RK1 (Kalrez® & PTFE/FKM)	replacement seal kit, Kalrez® crank shaft O-ring, PTFE stuffing box O-ring, Kalrez® body O-ring, PTFE/FKM cam gasket, PTFE O-ring (for DBC76-150)	4C, 5, 13E, 19E, 24
DBCx7-150RK1	replacement seal kit, Kalrez® crank shaft O-ring, PTFE stuffing box O-ring, PTFE/FKM body O-ring, PTFE/FKM cam gasket, PTFE O-ring (for DBC77-150)	4C, 5, 13F, 19E, 24
DBC71-150RK2	replacement Buna seal cylinder, PTFE buttons & PTFE bushing (for DBC71-150)	9A, 10, 12
DBC72-150RK2	replacement FKM seal cylinder, PTFE buttons and PTFE bushing (for DBC72-150)	9B, 10, 12
DBCx3-150RK2	replacement PTFE nose seal, PTFE buttons & PTFE bushing (for DBC73-150, DBC76-150 & DBC77-150)	10, 12, 31
DBC74-150RK2	replacement EPDM seal cylinder, PTFE buttons & PTFE bushing (for DBC74-150)	9D, 10, 12
DBCxx-150RK4	replacement link kit, link rivet, cotter pins, link washer, link arm & yoke (for all 1½" stainless steel)	11, 14, 16, 17, 22, 23
DBCxx-150RK5	replacement stuffing box kit, stuffing box, PTFE O-ring & large crank shaft bearing (for all 1½" stainless steel)	2, 5, 6
DBCxx-150RK6	replacement lever (handle) kit, lever, groove pin, lock washer & socket head cap screw (for all 1½" stainless steel)	8, 15, 28, 29
DBCxx-150RK7	replacement crank shaft kit, crank shaft, cotter pin & washer (for all 1½" stainless steel)	16, 21, 23
DBCxx-150RK8	main cylinder spring	25
DBCxx-150RK9	replacement poppet kit, poppet, round head screw, set screw & PTFE O-ring (for all 1½" stainless steel)	20, 24, 26, 27
DBCL-200	Optional add on padlockable lever kit (handle) (for all 1½")	not illustrated

Petroleum Replacement Parts

Dry Disconnects

DBC Cam and Groove Dry Disconnects

2" Aluminum Couplers

2" aluminum coupler

Bill of Materials

DBC6x-200

Item #	Description	Part #	Qty
1	body	---	1
2	stuffing box	40074SS	1
3	back up ring	40075TF	1
4A	crank shaft O-ring Buna (for DBC61-200)	40076BN	1
4B	crank shaft O-ring FKM (for DBC62-200)	40076VI	1
4C	crank shaft O-ring Kalrez® (for DBC63-200, DBC66-200 & DBC67-200)	40076KR	1
4D	crank shaft O-ring EPDM (for DBC64-200)	40076EP	1
5	stuffing box PTFE O-ring	40077TF	1
6	large crank shaft bearing	40078FG	1
7	small crank shaft bearing	40079SS	1
8	lever (handle)	40080SS	1
9A	seal cylinder (for DBC61-200)	40081ALBN	1
9B	seal cylinder (for DBC62-200)	40081ALVI	1
9C	seal cylinder (for DBC63-200, DBC66-200 & DBC67-200)	40168SS	1
9D	seal cylinder (for DBC64-200)	40081ALEP	1
10	PTFE button	40082TF	6
11	yoke	40083SS	1
12	PTFE bushing	40084TF	1
13A	body O-ring Buna (for DBC61-200)	40085BN	1
13B	body O-ring FKM (for DBC62-200)	40085VI	1
13C	body O-ring PTFE/Silicone (for DBC63-200)	40085TS	1
13D	body O-ring EPDM (for DBC64-200)	40085EP	1
13E	body O-ring Kalrez®(for DBC66-200)	40085KR	1
13F	body O-ring PTFE/FKM (for DBC67-200)	40085TV	1
14	link rivet	40086SS	1
15	groove pin	40087SS	1
16	crank shaft cotter pin	40088SS	1
17	link cotter pin	40088SS	1
18	EZ Boss-Lock™ cam arm	40089SS	2
19A	cam gasket Buna (for DBC61-200)	250-G-BU	1
19B	cam gasket FKM (for DBC62-200)	250-G-VI	1
19C	cam gasket PTFE/Silicone (for DBC63-200)	250-G-TES	1
19D	cam gasket EPR (for DBC64-200)	250-G-EPR	1
19E	cam gasket PTFE/FKM (for DBC66-200 & DBC67-200)	250-G-TFVI	1
20	poppet	40091SS	1
21	crank shaft	40092SS	1
22	link arm	40093SS	1
23	link washer	40094SS	1
24	poppet screw PTFE O-ring	40095TF	1
25	cylinder spring	DBCxx-200RK8	1
26	set screw	40097SS	1
27	poppet screw (round head)	40098SS	1
28	lock washer	40099SS	1
29	socket head cap screw	40100SS	1
30	cam arm spring pin	40101SS	2
31	nose seal (for DBC63-200, DBC66-200 & DBC67-200)	40170TF	1

Repair Kits

Part #	Description	Includes Item #
DBCx1-200RK1 (Buna-N)	replacement seal kit, Buna crank shaft O-ring,PTFE stuffing box O-ring, Buna body O-ring, Buna cam gasket, PTFE O-ring (for DBC61-200)	4A, 5, 13A, 19A, 24
DBCx2-200RK1 (FKM)	replacement seal kit, FKM crank shaft O-ring,PTFE stuffing box O-ring, FKM body O-ring, FKM cam gasket, PTFE O-ring (for DBC62-200)	4B, 5, 13B, 19B, 24
DBCx3-200RK1 (PTFE/Silicone and Kalrez®)	replacement seal kit, Kalrez® crank shaft O-ring,PTFEstuffing box O-ring, PTFE/ Silicone body O-ring, PTFE/Silicone cam gasket,PTFE O-ring (for DBC63-200)	4C, 5, 13C, 19C, 24
DBCx4-200RK1 (EPDM)	replacement seal kit, EPDM crank shaft O-ring,PTFE stuffing box O-ring, EPDM body O-ring, EPR cam gasket, PTFEO-ring (for DBC64-200)	4D, 5, 13D, 19D, 24
DBCx6-200RK1 (Kalrez® & PTFE/FKM)	replacement seal kit, Kalrez® crank shaft O-ring,PTFE stuffing box O-ring, Kalrez® body O-ring, PTFE/FKM cam gasket, PTFE O-ring (for DBC66-200)	4C, 5, 13E, 19E, 24
DBCx7-200RK1 (Kalrez® & PTFE/FKM)	replacement seal kit, Kalrez® crank shaft O-ring,PTFE stuffing box O-ring, Kalrez® body O-ring, PTFE/FKM cam gasket, PTFE O-ring (for DBC67-200)	4C, 5, 13F, 19E, 24
DBC61-200RK2	replacement Buna seal cylinder, PTFE buttons and PTFE bushing (for DBC61-200)	9A, 10, 12
DBC62-200RK2	Replacement FKM seal cylinder, PTFE buttons and PTFE bushing (for DBC62-200)	9B, 10, 12
DBCx3-200RK2	replacement PTFE nose seal , PTFE buttons and PTFE bushing (for DBC63-200, DBC66-200 & DBC67-200)	10, 12, 31
DBC64-200RK2	replacement EPDM seal cylinder, PTFE buttons and PTFE bushing (for DBC64-200)	9D, 10, 12
DBCxx-200RK4	replacement link kit, link rivet, cotter pins, link washer, link arm and yoke (for all 2" aluminum)	11, 14, 16, 22, 23
DBCxx-200RK5	replacement stuffing box kit, stuffing box, PTFE O-ring & large crank shaft bearing (for all 2" aluminum)	2, 5, 6
DBCxx-200RK6	replacement lever (handle) kit, lever, groove pin, lock washer & socket head cap screw (for all 2" aluminum)	8, 15, 28, 29
DBCxx-200RK7	replacement crank shaft kit, crank shaft, cotter pin & washer (for all 2" aluminum)	16, 21, 23
DBCxx-200RK8	main cylinder spring	25
DBCxx-200RK9	replacement poppet kit, poppet, round head screw, set screw and PTFE O-Ring (for all 2" aluminum)	20, 24, 26, 27
DBCL-200	optional add on padlockable lever kit, handle (for all 2")	not illustrated

Petroleum Replacement Parts

Dry Disconnects

DBC Cam and Groove Dry Disconnects

2" Stainless Couplers

2" stainless coupler

Bill of Materials

DBC7x-200

Item #	Description	Part #	Qty
1	body	---	1
2	stuffing box	40074SS	1
3	back up ring	40075TF	1
4A	crank shaft O-ring Buna (for DBC71-200)	40076BN	1
4B	crank shaft O-ring FKM (for DBC72-200)	40076VI	1
4C	crank shaft O-ring Kalrez® (for DBC73-200, DBC77-200, DBC76-200)	40076KR	1
4D	crank shaft O-ring EPDM (for DBC74-200)	40076EP	1
5	stuffing box PTFE O-ring	40077TF	1
6	large crank shaft bearing	40078FG	1
7	small crank shaft bearing	40079SS	1
8	lever (handle)	40080SS	1
9A	seal cylinder (for DBC71-200)	40081SSBN	1
9B	seal cylinder (for DBC72-200)	40081SSVI	1
9C	seal cylinder (for DBC73-200, DBC76-200, DBC77-200)	40168SS	1
9D	seal cylinder (for DBC74-200)	40081SSEP	6
10	PTFE button	40082TF	1
11	yoke	40083SS	1
12	PTFE bushing	40084TF	1
13A	body O-ring Buna (for DBC71-200)	40085BN	1
13B	body O-ring FKM (for DBC72-200)	40085VI	1
13C	body O-ring PTFE/Silicone (for DBC73-200)	40085TS	1
13D	body O-ring EPDM (for DBC74-200)	40085EP	1
13E	body O-ring Kalrez® (for DBC76-200)	40085KR	1
13F	body O-ring PTFE/FKM (DBC77-200)	40085TV	1
14	link rivet	40086SS	1
15	groove pin	40087SS	1
16	crank shaft cotter pin	40088SS	1
17	link cotter pin	40088SS	2
18	EZ Boss-Lock™ cam arm	40089SS	1
19A	cam gasket Buna (for DBC71-200)	250-G-BU	1
19B	cam gasket FKM (for DBC72-200)	250-G-VI	1
19C	cam gasket PTFE/Silicone (for DBC73-200)	250-G-TESS	1
19D	cam gasket EPDM (for DBC74-200)	250-G-EPR	1
19E	cam gasket PTFE/FKM (for DBC76-200, DBC77-200)	250-G-TEV	1
20	poppet	40091SS	1
21	crank shaft	40092SS	1
22	link arm	40093SS	1
23	link washer	40094SS	1
24	poppet screw PTFE O-ring	40095TF	1
25	cylinder spring	40096SS	1
26	set screw	40097SS	1
27	poppet screw (round head)	40098SS	1
28	lock washer	40099SS	1
29	socket head cap screw	40100SS	1
30	cam arm spring pin	40101SS	2
31	nose seal (for DBC73-200, DBC76-200 and DBC77-200)	40170TF	1

Repair Kits

Part #	Description	Includes Item #
DBCx1-200RK1 (Buna-N)	replacement seal kit, Buna crank shaft O-ring, PTFE stuffing box O-ring, Buna body O-ring, Buna cam gasket, PTFE O-ring (for DBC71-200)	4A, 5, 13A, 19A, 24
DBCx2-200RK1 (FKM)	replacement seal kit, FKM crank shaft O-ring, PTFE stuffing box O-ring, FKM body O-ring, FKM cam gasket, PTFE O-ring (for DBC72-200)	4B, 5, 13B, 19B, 24
DBCx3-200RK1 (PTFE/Silicone and Kalrez®)	replacement seal kit, Kalrez® crank shaft O-ring, PTFE stuffing box O-ring, PTFE/Silicone body O-ring, PTFE/Silicone cam gasket, PTFE O-ring (for DBC73-200)	4C, 5, 13C, 19C, 24
DBCx4-200RK1 (EPDM)	replacement seal kit, EPDM crank shaft O-ring, PTFE stuffing box O-ring, EPDM body O-ring, EPDM cam gasket, PTFE O-ring (for DBC74-200)	4D, 5, 13D, 19D, 24
DBCx6-200RK1 (Kalrez® & PTFE/FKM)	replacement seal kit, Kalrez® crank shaft O-ring, PTFE stuffing box O-ring, Kalrez® body O-ring, PTFE/FKM cam gasket, PTFE O-ring (for DBC76-200)	4C, 5, 13E, 19E, 24
DBCx7-200RK1 (PTFE/FKM and Kalrez®)	replacement seal kit, Kalrez® crank shaft O-ring, PTFE stuffing box O-ring, Kalrez® body O-ring, PTFE/FKM cam gasket, PTFE O-ring (for DBC77-200)	4C, 5, 13F, 19E, 24
DBC71-200RK2	replacement Buna seal cylinder, PTFE buttons and PTFE bushing (for DBC71-200)	9A, 10, 12
DBC72-200RK2	replacement FKM seal cylinder, PTFE buttons and PTFE bushing (for DBC72-200)	9B, 10, 12
DBCx3-200RK2	replacement PTFE nose seal, PTFE buttons and PTFE bushing (for DBC73-200, DBC76-200 & DBC77-200)	10, 12, 31
DBC74-200RK2	replacement EPDM seal cylinder, PTFE buttons & PTFE bushing (for DBC74-200)	9D, 10, 12
DBCxx-200RK4	replacement link kit, link rivet, cotter pins, link washer, link arm, yoke (for all 2" SS)	11, 14, 16, 17, 22, 23
DBCxx-200RK5	replacement stuffing box kit, stuffing box, PTFE O-ring and large crank shaft bearing (for all 2" SS)	2, 5, 6
DBCxx-200RK6	replacement lever (handle) kit, lever, groove pin, lock washer and socket head cap screw (for all 2" SS)	8, 15, 28, 29
DBCxx-200RK7	replacement crank shaft kit, crank shaft, cotter pin and washer (for all 2" SS)	16, 21, 23
DBCxx-200RK8	main cylinder spring	25
DBCxx-200RK9	replacement poppet kit, poppet, round head screw, set screw and PTFE O-ring (for all 2" SS)	20, 24, 26, 27
DBCL-200	optional add on padlockable lever kit (handle) (for all 2")	not illustrated

Petroleum
Replacement Parts

GOODYEAR
GOODYEARBELTING.COM

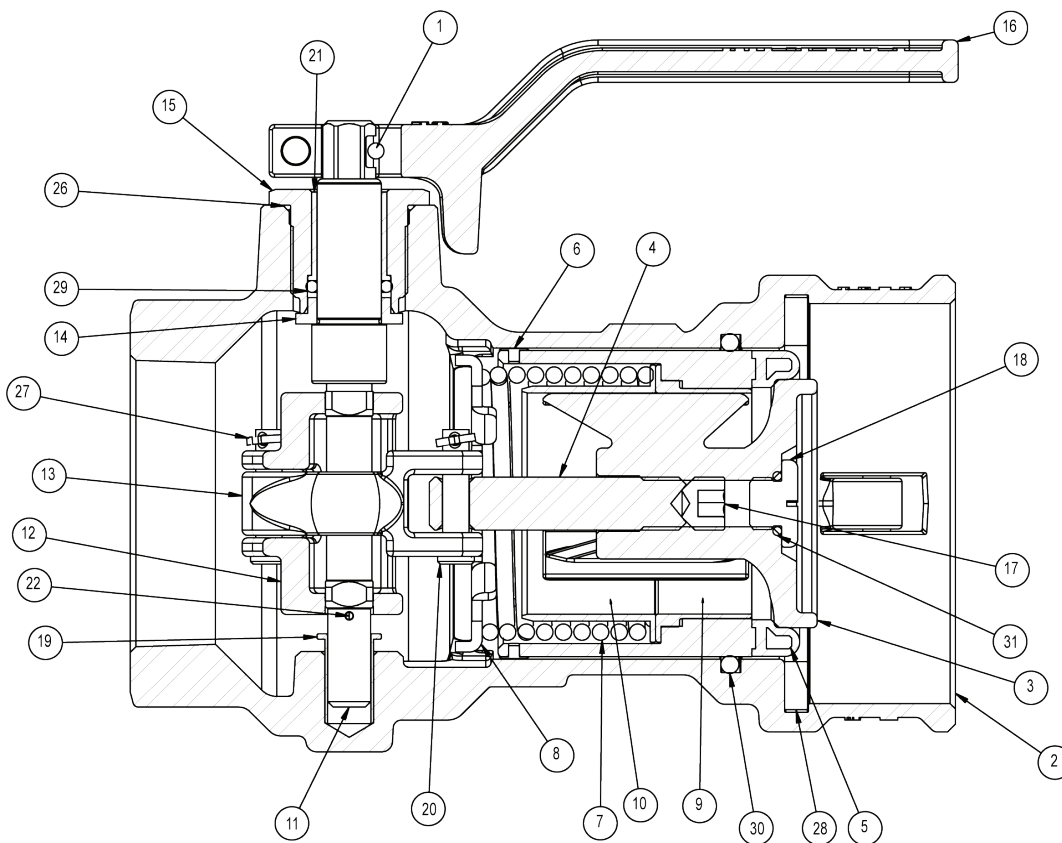
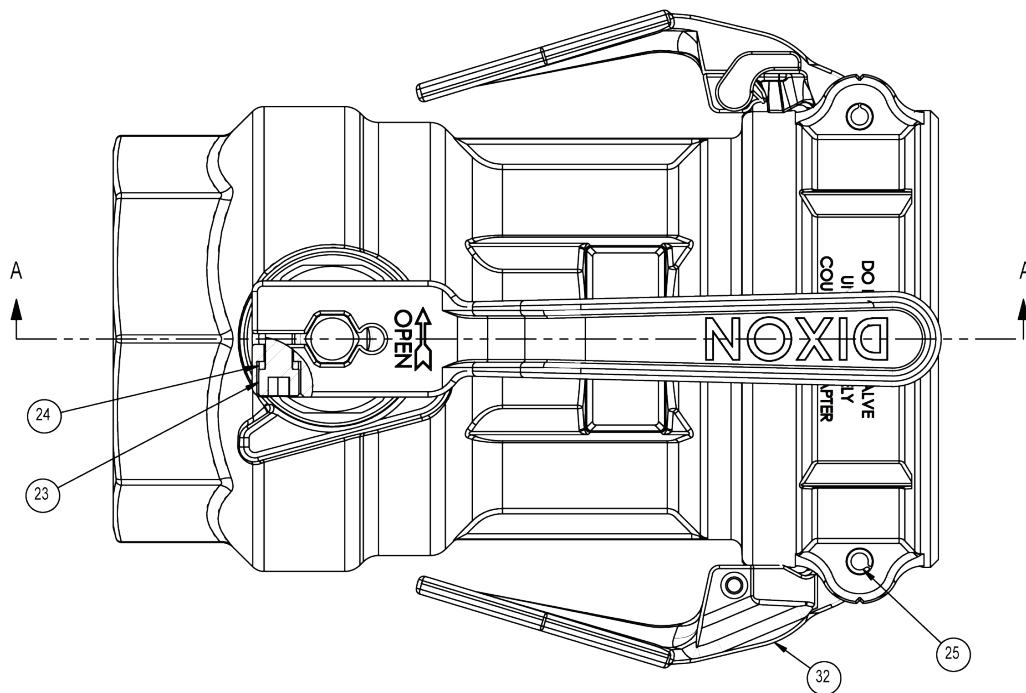
Call Toll Free: 1-866-711-4673
International: +1-727-342-5086

**We Ship
World Wide**

Dry Disconnects

DBC Cam and Groove Dry Disconnects

3" Aluminum Couplers



SECTION A-A

Petroleum
Replacement Parts

Dry Disconnects

DBC Cam and Groove Dry Disconnects

3" Aluminum Couplers

3" aluminum coupler

Bill of Materials

DBC6x-300

Item #	Description	Part #	Qty
1	groove pin	40087SS	1
2	body	---	1
3	poppet	40195SS	1
4	stem	40196SS	1
5A	seal cylinder (for DBC61-300)	40197ALBN	1
5B	seal cylinder (for DBC62-300)	40197ALVI	1
5C	seal cylinder (for DBC63-300, DBC66-300 & DBC67-300)	40304SS	1
5D	seal cylinder (for DBC64-300)	40197SSEP	1
5E	seal cylinder (for DBC69-300)	40197SSVB	1
6	PTFE button	40198TF	8
7	cylinder spring	DBCxx-300RK8	1
8	poppet spring seat	40200AL	1
9	PTFE bushing	40201TF	1
10	poppet spring guide	40202SS	1
11	shaft	40203SS	1
12	yoke	40204SS	1
13	link	40205SS	1
14	shaft retainer	40206SS	1
15	stuffing box	40207SS	1
16	lever (handle)	40208SS	1
17	set screw	40209SS	1
18	poppet screw	40210SS	1
19	PTFE bearing	40211TF	1
20	clevis pin	40212SS	2
21	bearing	40213FG	1
22	cotter pin	40214SS	1
23	lever (handle) screw	40216SS	1
24	lever (handle) lock washer	40217SS	1
25	cam arm pin	40218SS	2
26	PTFE O-ring	40219TF	1
27	cotter pin	40221SS	2
28A	Buna coupler gasket (for DBC61-300)	DBCx1-300RK3	1
28B	FKM coupler gasket (for DBC62-300)	DBCx2-300RK3	1
28C	PTFE/Silicone coupler gasket (for DBC63-300)	DBCx3-300RK3	1
28D	EPDM coupler gasket (for DBC64-300)	DBCx4-300RK3	1
28E	PTFE/FKM coupler gasket (for DBC66-300 & DBC67-300)	40222TV	1
28F	FKM-B coupler gasket (for DBC69-300)	DBCx9-300RK3	1
29A	Buna O-ring (for DBC61-300)	40223BN	1
29B	FKM O-ring (for DBC62-300)	40223VI	1
29C	Kalrez® O-ring (for DBC63-300, DBC66-300 & DBC67-300)	40223KR	1
29D	EPDM O-ring (for DBC64-300)	40223EP	1
29E	FKM-B O-ring (for DBC69-300)	40223VB	1
30A	Buna O-ring (for DBC61-300)	40224BN	1
30B	FKM O-ring (for DBC62-300)	40224VI	1
30C	PTFE/Silicone O-Ring (for DBC63-300)	40224TS	1
30D	EPDM O-ring (for DBC64-300)	40224EP	1
30E	Kalrez® O-ring (for DBC66-300)	40224KR	1
30F	PTFE/FKM O-ring (for DBC67-300)	40224TV	1
30G	FKM-B O-ring (for DBC69-300)	40224VB	1
31	PTFE O-ring	40235TF	1
32	locking paddle arm	40285SSSS	2
33	nose seal (for DBC63-300, DBC66-300 & DBC67-300)	40305TF	1

Repair Kits

Part #	Description	Includes Item #
DBCx1-300RK1 (Buna-N)	replacement seal kit, Buna stuffing box O-ring, PTFE stuffing box to body O-ring, Buna body O-ring, Buna cam gasket, PTFE Poppet screw O-ring (for DBC61-300)	26, 28A, 29A, 30A, 31
DBCx2-300RK1 (FKM)	replacement seal kit, FKM stuffing box O-ring, PTFE stuffing box to body O-ring, FKM body O-ring, FKM cam gasket, PTFE Poppet screw O-ring (for DBC62-300)	26, 28B, 29B, 30B, 31
DBCx3-300RK1 (PTFE/Silicone & Kalrez®)	replacement seal kit, Kalrez® stuffing box O-ring, PTFE stuffing box to body O-ring, PTFE/Silicone body O-ring, PTFE/Silicone cam gasket, PTFE Poppet screw O-ring (for DBC63-300)	26, 28C, 29C, 30C, 31
DBCx4-300RK1 (EPDM)	replacement seal kit, EPDM stuffing box O-ring, PTFE stuffing box to body O-ring, EPDM body O-ring, EPDM cam gasket, PTFE Poppet screw O-ring (for DBC64-300)	26, 28D, 29D, 30D, 31
DBCx6-300RK1 (Kalrez® and PTFE/FKM)	replacement seal kit, Kalrez® stuffing box O-ring, PTFE stuffing box to body O-ring, Kalrez® body O-ring, PTFE/FKM cam gasket, PTFE poppet screw O-ring (for DBC66-300)	26, 28E, 29C, 30E, 31
DBCx7-300RK1 (PTFE/FKM and Kalrez®)	replacement seal kit, Kalrez® stuffing box O-ring, PTFE stuffing box to body O-ring, PTFE/FKM body O-ring, PTFE/FKM cam gasket, PTFE Poppet screw O-ring (for DBC67-300)	26, 28E, 29C, 30F, 31
DBCx9-300RK1 (FKM-B)	replacement seal kit, FKM-B stuffing box O-ring, PTFE stuffing box to body O-ring, FKM-B body O-ring, FKM-B cam gasket, PTFE Poppet screw O-ring (for DBC69-300)	26, 28F, 29E, 30G, 31
DBC61-300RK2	replacement Buna seal cylinder, PTFE buttons and PTFE bushing (for DBC61-300)	5A, 6, 9
DBC62-300RK2	replacement FKM seal cylinder, PTFE buttons and PTFE bushing (for DBC62-300)	5B, 6, 9
DBCx3-300RK2	replacement PTFE nose seal, PTFE buttons and PTFE bushing (for DBC63-300, DBC66-300 & DBC67-300)	6, 9, 33
DBC64-300RK2	replacement EPDM seal cylinder, PTFE buttons and PTFE bushing (for DBC64-300)	5D, 6, 9
DBC69-300RK2	replacement FKM-B seal cylinder, PTFE buttons and PTFE bushing (for DBC69-300)	5E, 6, 9
DBCx1-300RK3	replacement Buna coupler gasket	28A
DBCx2-300RK3	replacement FKM coupler gasket	28B
DBCx3-300RK3	replacement PTFE/Silicone coupler gasket	28C
DBCx4-300RK3	replacement EPDM coupler gasket	28D
DBCx9-300RK3	replacement FKM-B coupler gasket	28F
DBCxx-300RK4	replacement link kit, clevis pin, cotter pin, stem, link and yoke (for all 3" aluminum)	4, 12, 13, 20, 22, 27
DBCxx-300RK5	replacement stuffing box kit, stuffing box, PTFE O-ring & bearing	15, 21, 26
DBCxx-300RK6	replacement lever (handle) kit, lever, groove pin, lock washer & socket head cap screw (for all 3" aluminum)	1, 16, 23, 24
DBCxx-300RK7	replacement shaft kit, shaft, cotter pin, bearing, shaft retainer	11, 14, 19, 22
DBCxx-300RK8	main cylinder spring	7
DBCxx-300RK9	replacement poppet kit, poppet and screw, set screw and PTFE O-ring	3, 17, 18, 31

Petroleum
Replacement Parts

Product instruction sheets and technical data can be viewed on our website at dixonvalve.com

GOODYEAR
GOODYEARBELTING.COM

Call Toll Free: 1-866-711-4673
International: +1-727-342-5086

**We Ship
World Wide**

Dry Disconnects

DBC Cam and Groove Dry Disconnects

3" stainless coupler

Bill of Materials

DBC7x-300

Item #	Description	Part #	Qty
1	groove pin	40087SS	1
2	body	---	1
3	poppet	40195SS	1
4	stem	40196SS	1
5A	seal cylinder Buna (for DBC71-300)	40197SSBN	1
5B	seal cylinder FKM (for DBC72-300)	40197SSVI	1
5C	stainless cylinder (for DBC73-300, DBC76-300 & DBC77-300)	40304SS	1
5D	seal cylinder EPDM (for DBC74-300)	40197SSSEP	1
5E	seal cylinder FKM-B (for DBC79-300)	40197SSVB	1
6	PTFE button	40198TF	8
7	cylinder spring	DBCxx-300RK8	1
8	spring seat	40200SS	1
9	PTFE bushing	40201TF	1
10	spring guide	40202SS	1
11	shaft	40203SS	1
12	yoke	40204SS	1
13	link arm	40205SS	1
14	shaft retainer	40206SS	1
15	stuffing box	40207SS	1
16	lever (handle)	40208SS	1
17	set screw	40209SS	1
18	poppet screw	40210SS	1
19	PTFE bearing	40211TF	1
20	clevis pin	40212SS	2
21	bearing	40213FG	1
22	cotter pin	40214SS	1
23	lever (handle) screw	40216SS	1
24	lever (handle) lock washer	40217SS	1
25	cam arm pin	40218SS	2
26	PTFE O-ring	40219TF	1
27	cotter pin	40221SS	2
28A	Buna coupler gasket (for DBC71-300)	DBCx1-300RK3	1
28B	FKM coupler gasket (for DBC72-300)	DBCx2-300RK3	1
28C	PTFE/Silicone coupler gasket (for DBC73-300)	40222TS	1
28D	EPDM coupler gasket (for DBC74-300)	40222EP	1
28E	PTFE/FKM coupler gasket (for DBC76-300 & DBC77-300)	40222TV	1
28F	FKM-B coupler gasket (for DBC79-300)	DBCx9-300RK3	1
29A	Buna O-ring (for DBC71-300)	40223BN	1
29B	FKM O-ring (for DBC72-300)	40223VI	1
29C	Kalrez® O-ring (for DBC73-300, DBC76-300 and DBC77-300)	40223KR	1
29D	EPDM O-ring (for DBC74-300)	40223EP	1
29E	FKM-B O-ring (for DBC79-300)	40223VB	1
30A	Buna O-ring (for DBC71-300)	40224BN	1
30B	FKM O-ring (for DBC72-300)	40224VI	1
30C	PTFE/Silicone O-ring (for DBC73-300)	40224TS	1
30D	EPDM O-ring (for DBC74-300)	40224EP	1
30E	Kalrez® O-ring (for DBC76-300)	40224KR	1
30F	PTFE/FKM O-ring (for DBC77-300)	40224TV	1
30G	FKM-B O-ring (for DBC79-300)	40224VB	1
31	PTFE O-ring	40235TF	1
32	locking paddle arm	40285SSSS	2
33	PTFE nose seal (for DBC73-300, DBC76-300 and DBC77-300)	40305TF	1

3" Stainless Couplers

Repair Kits

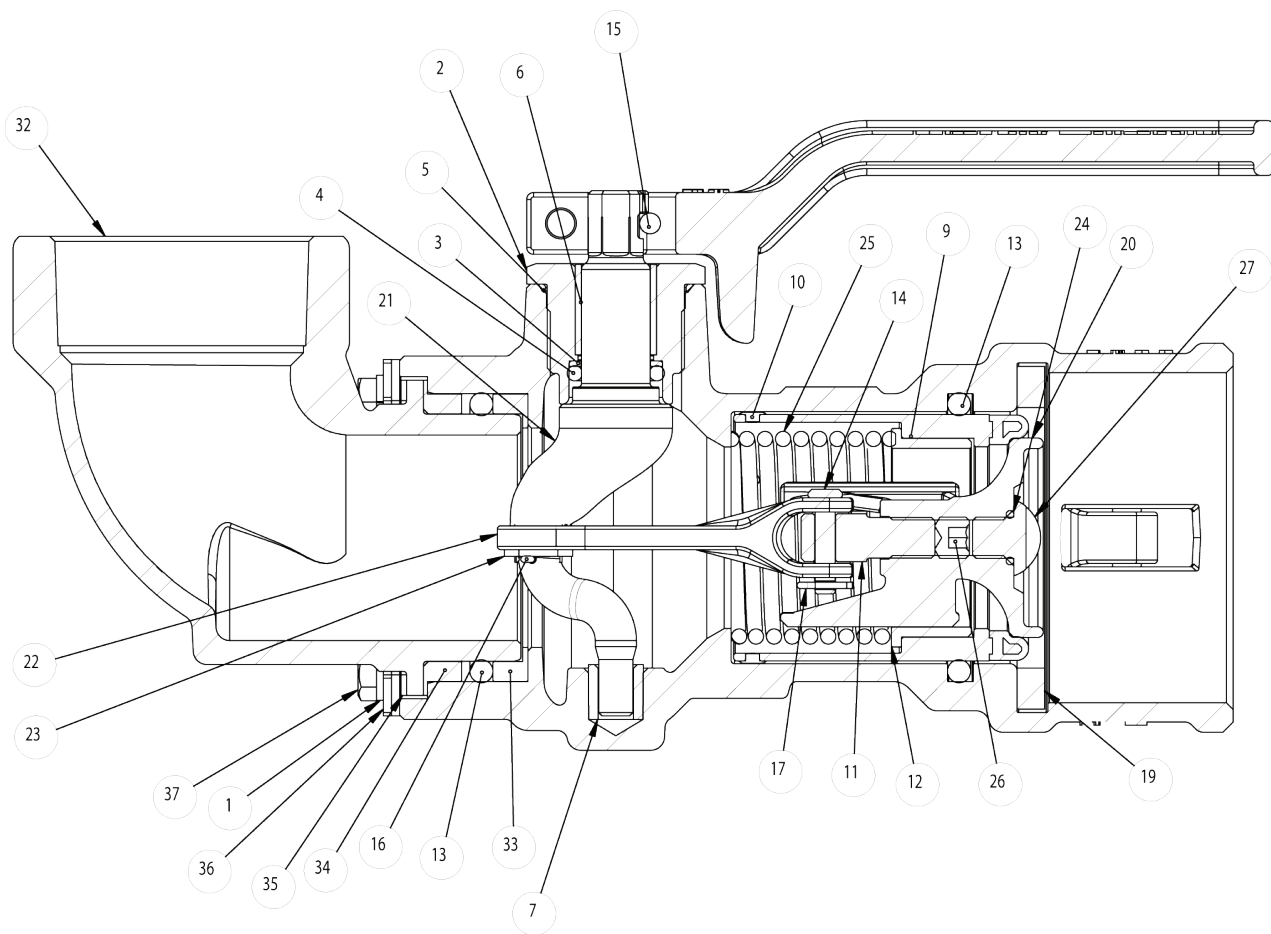
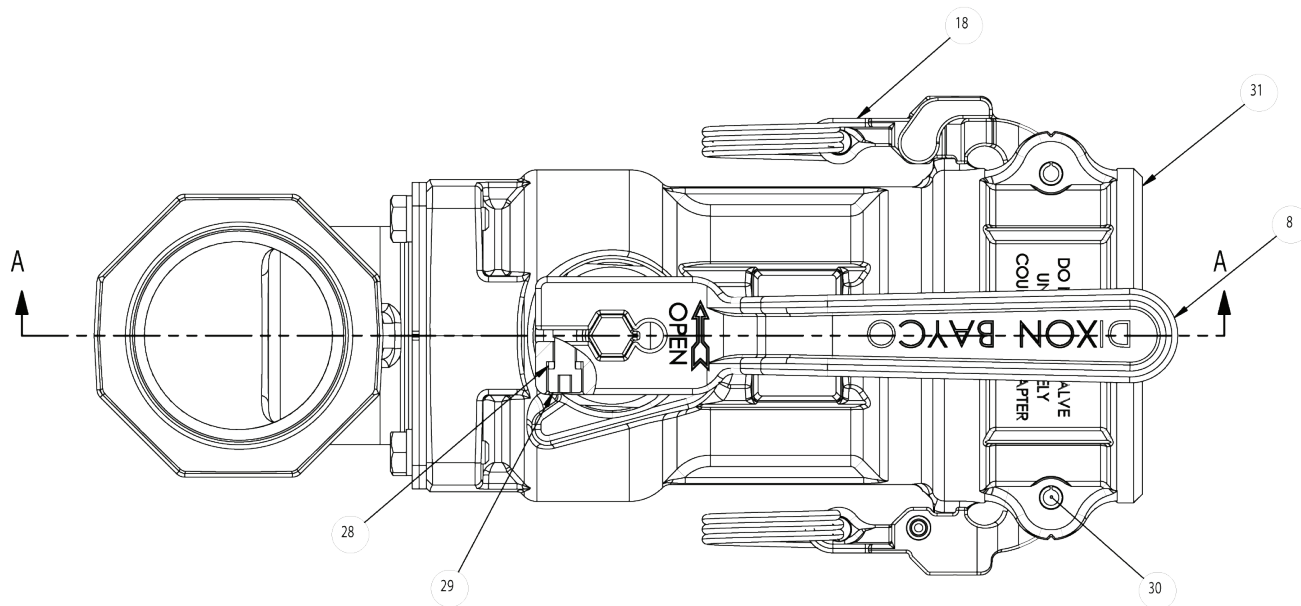
Part #	Description	Includes Item #
DBCx1-300RK1 (Buna-N)	replacement seal kit, Buna stuffing box O-ring, PTFE stuffing box to body O-ring, Buna body O-ring, Buna cam gasket, PTFE poppet screw O-ring (for DBC71-300)	26, 28A, 29A, 30A, 31
DBCx2-300RK1 (FKM)	replacement seal kit, FKM stuffing box O-ring, PTFE stuffing box to body O-ring, FKM body O-ring, FKM cam gasket, PTFE poppet screw O-ring (for DBC72-300)	26, 28B, 29B, 30B, 31
DBCx3-300RK1 (PTFE/Silicone & Kalrez®)	replacement seal kit, Kalrez® stuffing box O-ring, PTFE stuffing box to body O-ring, PTFE/Silicone body O-ring, PTFE/Silicone cam gasket, PTFE poppet screw O-ring (for DBC73-300)	26, 28C, 29C, 30C, 31
DBCx4-300RK1 (EPDM)	replacement seal kit, EPDM stuffing box O-ring, PTFE stuffing box to body O-ring, EPDM body O-ring, EPDM cam gasket, PTFE poppet screw O-ring (for DBC74-300)	26, 28D, 29D, 30D, 31
DBCx6-300RK1 (Kalrez® and PTFE/FKM)	replacement seal kit, Kalrez® stuffing box O-ring, PTFE stuffing box to body O-ring, Kalrez® body O-ring, PTFE/FKM cam gasket, PTFE poppet screw O-ring (for DBC76-300)	26, 28E, 29C, 30E, 31
DBCx7-300RK1 (PTFE/FKM & Kalrez®)	replacement seal kit, Kalrez® stuffing box O-ring, PTFE stuffing box to body O-ring, PTFE/FKM body O-ring, PTFE/FKM cam gasket, PTFE poppet screw O-ring (for DBC77-300)	26, 28E, 29C, 30F, 31
DBCx9-300RK1 (FKM-B)	replacement seal kit, FKM-B stuffing box O-ring, PTFE stuffing box to body O-ring, FKM-B body O-ring, FKM cam gasket, PTFE poppet screw O-ring (for DBC79-300)	26, 28F, 29E, 30G, 31
DBC69-300RK2	replacement FKM-B seal cylinder, PTFE buttons and PTFE bushing (for DBC79-300)	5E, 6, 9
DBC71-300RK2	replacement Buna seal cylinder, PTFE buttons and PTFE bushing (for DBC71-300)	5A, 6, 9
DBC72-300RK2	replacement FKM seal cylinder, PTFE buttons and PTFE bushing (for DBC72-300)	5B, 6, 9
DBCx3-300RK2	replacement PTFE nose seal, PTFE buttons & PTFE bushing (for DBC73-300, DBC76-300 and DBC77-300)	6, 9, 33
DBC74-300RK2	replacement EPDM seal cylinder, PTFE buttons and PTFE bushing (for DBC74-300)	5D, 6, 9
DBCX1-300RK3	replacement Buna coupler gasket	28A
DBCx2-300RK3	replacement FKM coupler gasket	28B
DBCxx-300RK4	replacement link kit, clevis pin, cotter pin, stem, link arm and yoke (for all 3" SS)	4, 12, 13, 20, 22, 27
DBCxx-300RK5	replacement stuffing box kit, stuffing box, PTFE O-ring & bearing (for all 3" SS)	15, 21, 26
DBCxx-300RK6	replacement lever (handle) kit, lever, groove pin, lock washer and socket head cap screw (for all 3" SS)	1, 16, 23, 24
DBCxx-300RK7	replacement shaft kit, shaft, cotter pin bearing, shaft retainer, (for all 3" SS)	11, 14, 19, 22
DBCxx-300RK8	main cylinder spring	7
DBCxx-300RK9	replacement poppet kit, poppet, poppet screw, set screw and PTFE O-ring (for all 3" SS)	3, 17, 18, 31

Petroleum Replacement Parts

Dry Disconnects

DBS 90° Swivel Cam and Groove Dry Disconnects

2" Aluminum 90° Swivel Couplers



Section A - A

Petroleum
Replacement Parts



Call Toll Free: 1-866-711-4673
International: +1-727-342-5086



Dry Disconnects

DBS 90° Swivel Cam and Groove Dry Disconnects

2" Aluminum 90° Swivel Couplers

2" aluminum 90° coupler

Bill of Materials

DBS6x-200

Item #	Description	Part #	Qty
1	lock washer	10111	4
2	stuffing box	40074SS	1
3	back up ring	40075TF	1
4A	crank shaft O-ring Buna (for DBS61-200)	40076BN	1
4B	crank shaft O-ring FKM (for DBS62-200)	40076VI	1
4C	crank shaft O-ring Kalrez® (for DBS63-200)	40076KR	1
5	stuffing box PTFE O-ring	40077TF	1
6	large crank shaft bearing	40078FG	1
7	small crank shaft bearing	40079SS	1
8	lever (handle)	40080SS	1
9A	seal cylinder (for DBS61-200)	40081ALBN	1
9B	seal cylinder (for DBS62-200)	40081ALVI	1
9C	seal cylinder (for DBS63-200)	40168SS	1
10	PTFE button	40082TF	6
11	yoke	40083SS	1
12	PTFE bushing	40084TF	1
13A	body and swivel Buna O-ring (for DBS61-200)	40085BN	2
13B	body and swivel FKM O-ring (for DBS62-200)	40085VI	2
13C	body and swivel PTFE/Silicone® O-ring (for DBS63-200)	40085TS	2
14	link rivet	40086SS	1
15	groove pin	40087SS	1
16	crank shaft cotter pin	40088SS	1
17	link cotter pin	40088SS	1
18	EZ Boss-Lock™ cam arm	40089SS	2
19A	cam gasket Buna (for DBS61-200)	250-G-BU	1
19B	cam gasket FKM (for DBS62-200)	250-G-VI	1
19C	cam gasket PTFE/Silicone® (for DBS63-200)	250-G-TES	1
20	poppet	40091SS	1
21	crank shaft	40092SS	1
22	link arm	40093SS	1
23	link washer	40094SS	1
24	poppet screw PTFE O-ring	40095TF	1
25	cylinder spring	DBCxx-200RK8	1
26	set screw	40097SS	1
27	poppet screw (round head)	40098SS	1
28	lock washer	40099SS	1
29	socket head cap screw	40100SS	1
30	cam arm spring pin	40101SS	2
31	main body	---	1
32	elbow body	---	1
33	bottom bearing	40106AC	1
34	top bearing	40108AC	1
35	washer	40109AC	1
36	flange retainer	40110ST	4
37	screw	40111SS	4
not illustrated	nose seal (for DBS63-200)	40170TF	1

Repair Kits

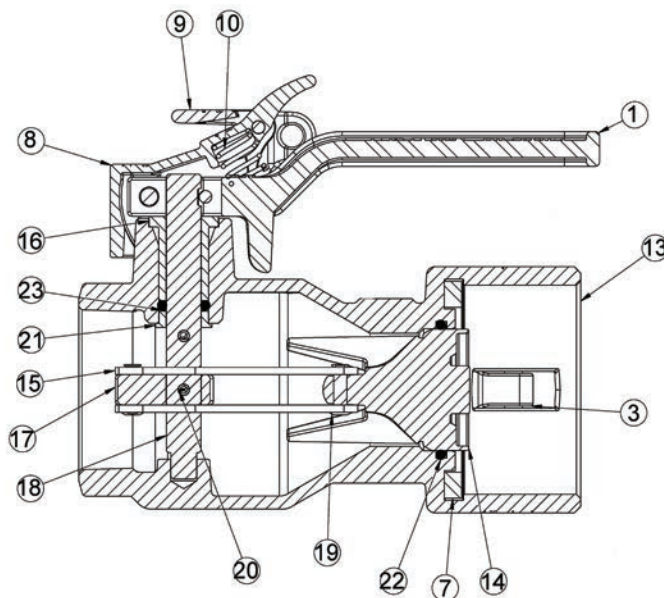
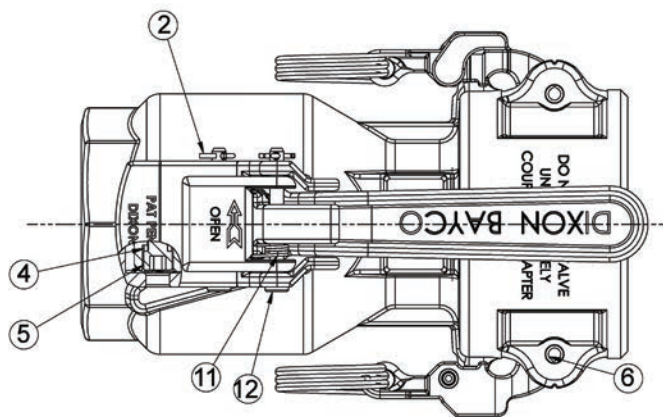
Part #	Description	Includes Item #
DBS61-200RK1	replacement seal kit, Buna crank shaft O-ring, PTFE stuffing box O-ring, Buna and Swivel body O-rings, Buna cam gasket, PTFE O-ring (for DBS61-200)	4A, 5, 13A, 19A, 24
DBS62-200RK1	replacement seal kit, FKM crank shaft O-ring, PTFE stuffing box O-ring, FKM body and swivel O-rings, FKM cam gasket, PTFE O-ring (for DBS62-200)	4B, 5, 13B, 19B, 24
DBS63-200RK1	replacement seal kit, Kamrez® crank shaft O-ring, PTFE stuffing box O-ring, PTFE/Silicone® body and swivel O-rings, PTFE/Silicone® cam gasket, PTFE O-ring (for DBS63-200)	4C, 5, 13C, 19C, 24
DBS61-200RK4	swivel rebuild kit, Buna body O-ring, top and bottom bearings, washer, flange retainers and screws (for DBS61-200)	13A, 33, 34, 35, 36, 37
DBS62-200RK4	swivel rebuild kit, FKM body O-ring, top and bottom bearings, washer, flange retainers and screws (for DBS62-200)	13B, 33, 34, 35, 36, 37
DBS63-200RK4	swivel rebuild kit, PTFE/Silicone® body O-ring, top and bottom bearings, washer, flange retainers and screws (for DBS63-200)	13C, 33, 34, 35, 36, 37
DBS61-200RK10	replacement swivel seal kit, Buna body O-ring, top and bottom bearings (for DBS61-200)	13A, 33, 34
DBS62-200RK10	replacement swivel seal kit, FKM body O-ring, top and bottom bearings (for DBS62-200)	13B, 33, 34
DBS63-200RK10	replacement swivel seal kit, PTFE/Silicone® body O-ring, top and bottom bearings (for DBS63-200)	13C, 33, 34
DBC61-200RK2	replacement Buna seal cylinder, PTFE buttons and PTFE bushing (for DBS61-200)	9A, 10, 12
DBC62-200RK2	replacement FKM seal cylinder, PTFE buttons and PTFE bushing (for DBS62-200)	9B, 10, 12
DBCx3-200RK2	replacement PTFE nose seal, PTFE buttons and PTFE bushing (for DBS63-200)	10, 12, + items not illustrated
DBCxx-200RK4	replacement link kit, link rivet, cotter pins, link washer, link arm and yoke (for all 2")	11, 14, 16, 17, 22, 23
DBCxx-200RK5	replacement stuffing box kit, stuffing box, PTFE O-ring and large crank shaft bearing (for all 2")	2, 5, 6
DBCxx-200RK6	replacement lever (handle) kit, lever, groove pin, lock washer and socket head cap screw (for all 2")	8, 15, 28, 29
DBCxx-200RK7	replacement crank shaft kit, crank shaft, cotter pin and washer (for all 2")	16, 21, 23
DBCxx-200RK8	main cylinder spring (for all 2")	25
DBCxx-200RK9	replacement poppet kit, poppet, round head screw, set screw & PTFE O-ring (for all 2")	20, 24, 26, 27
DBCL-200	optional add on padlockable lever kit, (handle) (for all 2")	not illustrated

Petroleum Replacement Parts

Dry Disconnects

D2C Cam and Groove Actuator Style Dry Disconnects

1½" Stainless Couplers



1½" Stainless Coupler

Bill of Materials

D2C7x-150

Item #	Description	Part #	Qty
1	lever	40080SS	1
2	lever cotter pin	40088SS	2
3	EZ-Boss lock cam arm	40089SS	2
4	lock washer	40099SS	1
5	socket head screw	40100SS	1
6	cam arm spring pin	40101SS	2
7A	cam gasket Buna (for D2C71-150)	200-G-BU	1
7B	cam gasket FKM (for D2C72-150)	200-G-VI	1
7C	cam gasket PTFE/Silicone® (for D2C73-150)	200-G-TES	1
7D	cam gasket EPDM (for D2C74-150)	200-G-EPDM	1
8	lever latch	40225SS	1
9	lever lock	40226SS	1
10	lever lock compression spring	40230SS	1
11	lever lock torsion spring	40231SS	1
12	lever clevis pin	40232SS	2
13	body	--	1
14	poppet	40287SS	1
15	poppet link arm	40288SS	2
16	bearing	40289FG	1
17	poppet cam	40290SS	1
18	poppet lever shaft	40291SS	1
19	poppet link rivet	40292SS	2
20	poppet lever shaft spring pin	40293SS	2
21	spacer	40294SS	1
22	poppet O-ring PTFE/FKM	40295TV	1
23A	lever shaft O-ring Buna (for D2C71-150)	40296BN	1
23B	lever shaft O-ring FKM (for D2C72-150)	40296VI	1
23C	lever shaft O-ring Kalrez® (for D2C73-150)	40296KR	1
24D	lever shaft O-ring EPDM (for D2C74-150)	40296EP	1

2" Stainless Coupler

Bill of Materials

D2C7x-200

Item #	Description	Part #	Qty
1	lever	40080SS	1
2	lever cotter pin	40088SS	2
3	EZ-Boss lock cam arm	40089SS	2
4	lock washer	40099SS	1
5	socket head screw	40100SS	1
6	cam arm spring pin	40101SS	2
7A	cam gasket Buna (for D2C71-200)	250-G-BU	1
7B	cam gasket FKM (for D2C72-200)	250-G-VI	1
7C	cam gasket PTFE/Silicone® (for D2C73-200)	250-G-TES	1
7D	cam gasket EPDM (for D2C74-200)	250-G-EPDM	1
8	lever latch	40225SS	1
9	lever lock	40226SS	1
10	lever lock compression spring	40230SS	1
11	lever lock torsion spring	40231SS	1
12	lever clevis pin	40232SS	2
13	body	--	1
14	poppet	40298SS	1
15	poppet link arm	40299SS	2
16	bearing	40289FG	1
17	poppet cam	40300SS	1
18	poppet lever shaft	40291SS	1
19	poppet link rivet	40292SS	2
20	poppet lever shaft spring pin	40293SS	2
21	spacer	40294SS	1
22	poppet O-ring PTFE/FKM	40301TV	1
23A	lever shaft O-ring Buna (for D2C71-200)	40296BN	1
23B	lever shaft O-ring FKM (for D2C72-200)	40296VI	1
23C	lever shaft O-ring Kalrez® (for D2C73-200)	40296KR	1
24D	lever shaft O-ring EPDM (for D2C74-200)	40296EP	1

Petroleum Replacement Parts

Dry Disconnects

Dry Disconnect Bayonet Style Adapters

2" and 3" Adapters

2" Stainless Adapter

Bill of Materials

BA3x-200

Item #	Description	Part #	Qty
1	stainless body	40053SS	1
2	brass poppet	40054BR	1
3	stainless deflector	40055SS	1
4	stainless spring	40056SS	1
5A	Buna O-ring (for BA31-200)	BA31-200RK1	1
5B	FKM O-ring (for BA32-200)	BA32-200RK1	1

3" Aluminum Adapter

Bill of Materials

BA6x-300

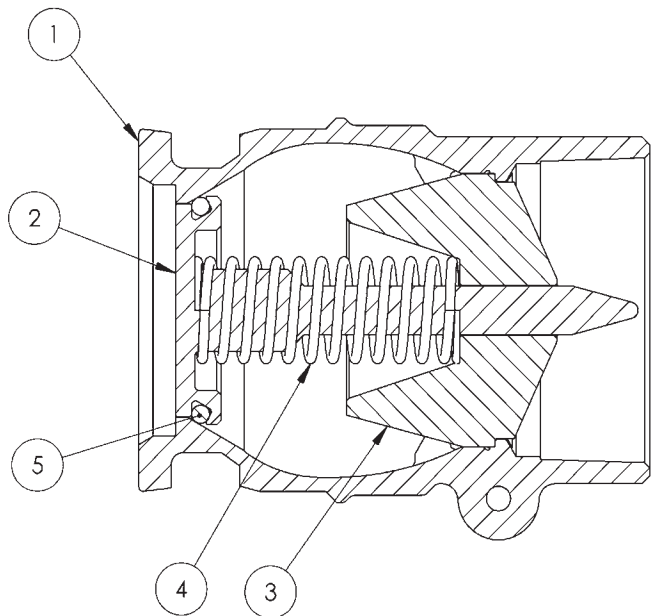
Item #	Description	Part #	Qty
1	aluminum body	40278AL	1
2	aluminum poppet	40279AL	1
3	aluminum deflector	40280AL	1
4	SS spring	40281SS	1
5A	Buna O-ring (for BA61-300)	BA31-300RK1	1
5B	FKM O-ring (for BA62-300)	BA32-300RK1	1

3" Bronze Adapter

Bill of Materials

BA3x-300

Item #	Description	Part #	Qty
1	bronze body	40278BR	1
2	bronze poppet	40279BR	1
3	bronze deflector	40280BR	1
4	SS spring	40281SS	1
5A	Buna O-ring (for BA31-300)	BA31-300RK1	1
5B	FKM O-ring (for BA32-300)	BA32-300RK1	1

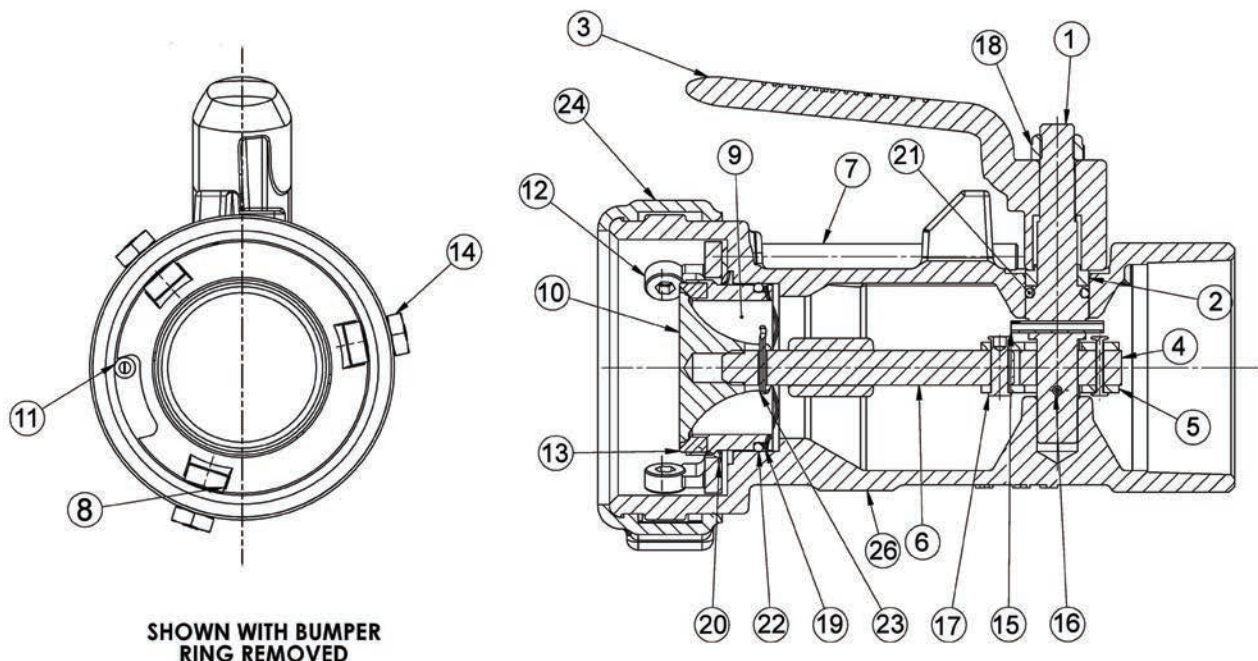


Petroleum Replacement Parts

Dry Disconnects

Dry Disconnect Bayonet Style Couplers

2" Straight Non-Swiveling Couplers



SHOWN WITH BUMPER RING REMOVED

**2" Stainless Coupler
Bill of Materials
BC6x-200**

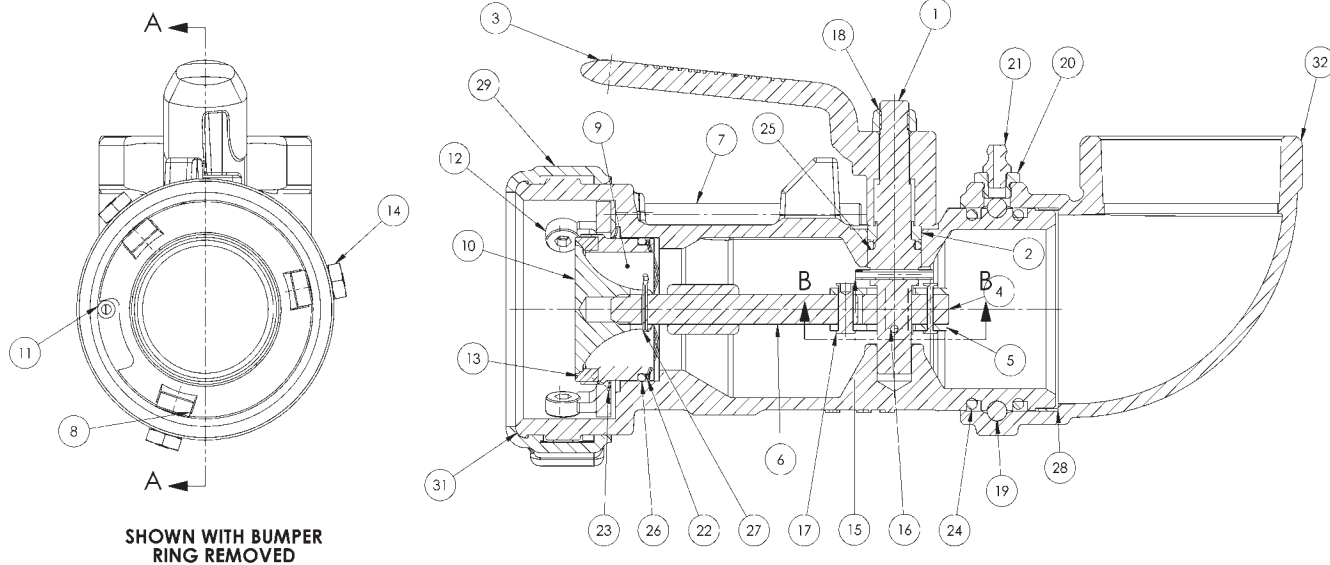
Item #	Description	Part #	Qty
1	lever shaft	40138SS	1
2	lever shaft follower	40139SS	1
3	lever	40140SS	1
4	poppet link arm	40141SS	1
5	bent link	40142SS	2
6	stem	40143SS	1
7	interlocking pin	40144SS	1
8	lock ring	40145SS	1
9	nose piece	40146HC	1
10	poppet	40147CA	1
11	coiled pin	40148SS	1
12	bayonet stud	40149SS	3
13A	nose seal Buna (for BC61-200)	40150BN	1
13B	nose seal FKM (for BC62-200)	40150VI	1
14	jam nut	40151SS	3
15	spring pin	40152SS	1
16	coiled pin	40153SS	1
17	rivet	40154SS	2
18	lock nut	40155SS	1
19	wave spring	40159SS	2
20	wave spring washer	40160SS	1
21A	shaft O-ring Buna (for BC61-200)	40162BN	1
21B	shaft O-ring FKM (for BC62-200)	40162VI	1
22A	poppet O-ring Buna (for BC61-200)	40163BN	1
22B	poppet O-ring FKM (for BC62-200)	40163VI	1
23	cotter pin	40164SS	1
24	bumper ring	40166VY	1
25	label	40167AL	1
26	body	--	1

Petroleum
Replacement Parts

Dry Disconnects

Dry Disconnect Bayonet Style Couplers

2" 90° Straight Swivel Couplers



SHOWN WITH BUMPER RING REMOVED

The 90° swivel coupler (BS series) is illustrated above. The straight swivel coupler (BSS series) uses the same components, except it does not have #21A grease nipple, it utilizes a #21B set screw plug.

Petroleum Replacement Parts

Bill of Materials BS6x-200 and BSS6x-200

Item #	Description	Part #	Qty
1	lever shaft	40138SS	1
2	follower	40139SS	1
3	lever (handle)	40140SS	1
4	link	40141SS	1
5	belt link	40142SS	2
6	stem	40143SS	1
7	interlocking pin	40144SS	1
8	lock rink	40145SS	1
9	nose piece	40146HC	1
10	poppet	40147CA	1
11	coiled pin	40148SS	1
12	bayonet stud	40149SS	3
13A	Buna nose seal (BS61-200)	40150BN	1
13B	FKM nose seal (BS62-200)	40150VI	1
14	jam nut	40151SS	3
15	spring pin	40152SS	1
16	grooved pin	40153SS	1
17	rivet	40154SS	2
18	lock nut	40155SS	1

Bill of Materials, continued

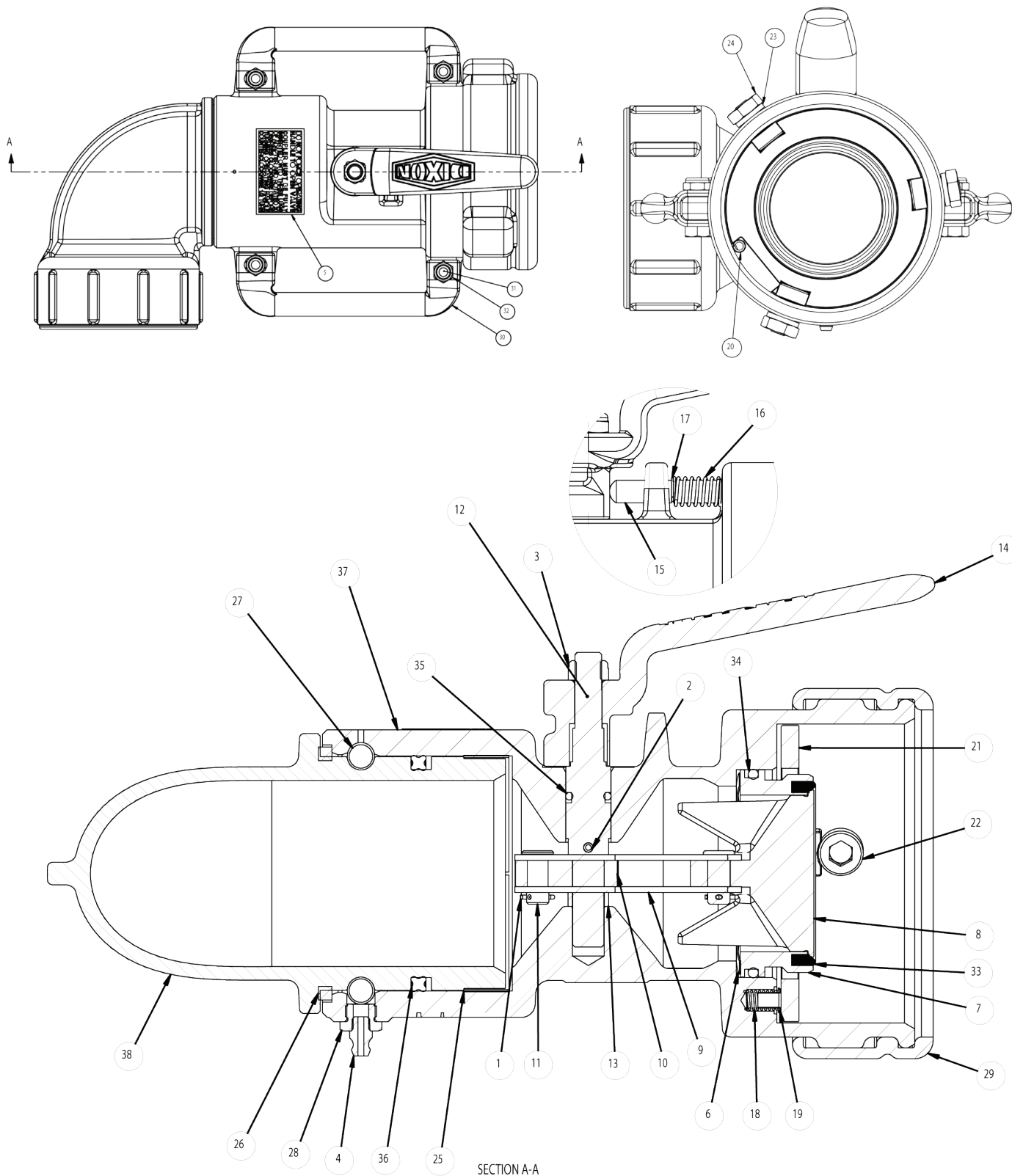
Item #	Description	Part #	Qty
19	ball bearing	40156SS	32
20	ball plug	40157BR	1
21A	grease fitting (BS6x-200)	40158ST	1
21B	set screw (BSS6x-200)	40178SS	1
22	wave spring	40159SS	2
23	wave spring washer	40160SS	1
24A	Buna swivel O-ring (BS & BSS61-200)	40161BN	2
24B	FKM swivel O-ring (BS & BSS62-200)	40161VI	2
25A	Buna stem O-ring (BS & BSS61-200)	40162BN	1
25B	FKM stem O-ring (BS & BSS62-200)	40162VI	1
26A	Buna nose O-ring (BS & BSS61-200)	40163BN	1
26B	FKM nose O-ring (BS & BSS62-200)	40163VI	1
27	cotter pin	40164SS	1
28	bearing strip	40165NY	1
29	bumper ring	40166VY	1
30	label	40161AL	1
31	main body	---	1
32	swivel body	---	1

Repair Kits

Part #	Description	Includes Item #
BS61-200RK1	Seal repair kit, Buna nose seal, spring pin, grooved pin, Buna swivel O-rings, Buna stem O-ring, Buna nose body O-ring, cotter pin, bearing strip & bumper ring	13A, 15, 16, 24A, 25A, 26A, 27, 28, 29
BS62-200RK1	Seal repair kit, FKM nose seal, spring pin, grooved pin, FKM swivel O-rings, FKM stem O-ring, FKM nose body O-ring, cotter pin, bearing strip & bumper ring	13B, 15, 16, 24B, 25B, 26B, 27, 28, 29
BS61-200RK2	Swivel seal repair kit, Buna swivel O-rings & bearing strip	24A, 28
BS62-200RK2	Swivel seal repair kit, FKM swivel O-rings & bearing strip	24B, 28

Dry Disconnects

BA/BS/BSS Series Bayonet Style Dry Disconnects 3" 90° and Straight Swivel Couplers



Petroleum
Replacement Parts



Call Toll Free: 1-866-711-4673
International: +1-727-342-5086

We Ship
World Wide

Dry Disconnects

BA/BS/BSS Series Bayonet Style Dry Disconnects

3" 90° and Straight Swivel Couplers

The 90° swivel coupler (BS series) is illustrated on page 26.
The straight swivel coupler (BSS series) uses the same components.

3" swivel aluminum coupler

Bill of Materials

BS6x-300 and BSS6x-300

Item #	Description	Part #	Qty
1	cotter pin	40088SS	2
2	spring pin	40152SS	1
3	lock nut	40155SS	1
4	grease fitting	40158ST	1
5	label	40167AL	1
6	wave spring	40246SS	1
7	nose piece	40247HC	1
8	poppet	40248CA	1
9	bent link	40249SS	2
10	drive link	40250SS	1
11	clevis pin	40251SS	2
12	stem	40252SS	1
13	stem spacer	40253AL	1
14	lever (handle)	40254SS	1
15	interlock pin	40255SS	1
16	compression spring	40256SS	1
17	retaining ring	40257ST	1
18	compression spring	40258SS	3
19	eyelet	40259BR	3
20	spring pin	40260SS	1
21	lock ring	40261SS	1
22	bayonet stud	40262SS	3
23	lock washer	40263SS	3
24	nut	40264SS	3
25	bearing strip	40265NY	1
26	dust seal	40266FL	1
27	ball bearings	40267SS	27
28	ball plug	40268BR	1
29	bumper ring	40269VY	1
30	grip handle	40270SS	2
31	bolt	40271SS	4
32	lock nut	40272SS	4
33A	Buna nose seal	40273BN	1
33B	FKM nose seal	40273VI	1
34A	Buna nose body O-ring	40274BN	1
34B	FKM nose body O-ring	40274VI	2
35A	Buna stem O-ring	40275BN	1
35B	FKM stem O-ring	40275VI	1
36A	Buna quad ring	40276BN	1
36B	FKM quad ring	40276VI	1
37	main body	---	1
38	swivel body	---	1

Repair Kits

Part #	Description	Includes Item #
BS61-300RK1	seal repair kit, Buna nose seal, spring pin, Buna swivel O-rings, Buna stem O-ring, Buna nose body O-ring, cotter pin, bearing strip and bumper ring	1, 2, 25, 29, 33A, 34A, 35A
BS62-300RK1	seal repair kit, FKM nose seal, spring pin, FKM swivel O-rings, FKM stem O-ring, FKM nose body O-ring, cotter pin, bearing strip and bumper ring	1, 2, 25, 29, 33B, 34B, 35B
BS61-300RK2	swivel seal repair kit, Buna swivel O-rings and bearing strip	25, 26, 36A
BS62-300RK2	swivel seal repair kit, FKM swivel O-rings and bearing strip	25, 26, 36B

Petroleum Replacement Parts

Fuel Nozzles

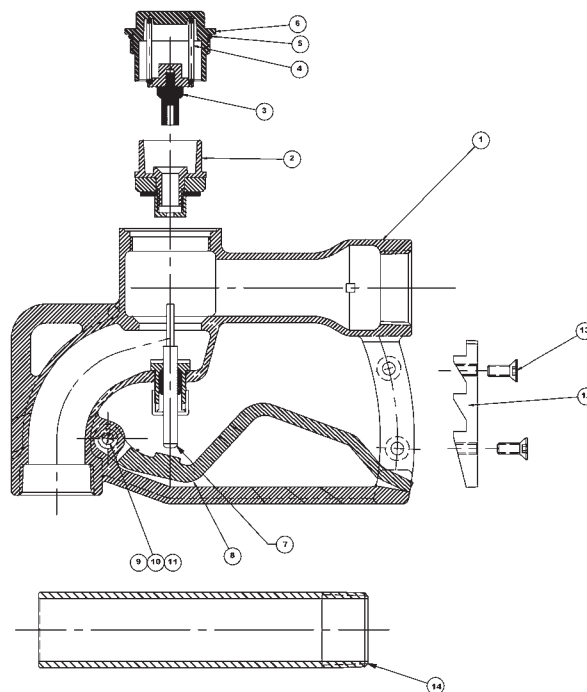
112D and 112DNS (1½") Bulk Delivery Nozzles

Bill of Materials

Item #	Description	Part #	Qty
1	body	---	1
2	main poppet assembly	use kit 112DSK	1
3	secondary poppet assembly	use kit 112DSK	1
4	poppet spring	SPRG-L368	1
5	Buna cap O-ring	O-RING#132	1
6	bronze cap	112DAL-9	1
7	valve stem assembly	use kit 112DSK	1
8	trigger	use kit 114/2D-TK	1
9	trigger bushing	114DAL-10	1
10	trigger pin	PIN-L389-SS	1
11	trigger cotter pin	110746	1
12	ratchet plate	340164	1
13	ratchet plate screws	110798	2
14	spout	1125A	1

Repair Kits

Part #	Description	Includes Item #
112DSK	main poppet, 2nd poppet, cap O-ring, valve stem	2, 3, 5, 7
1125A	1½" aluminum spout	14
1125B	1½" brass spout (optional)	---
114/2D-TK	trigger, pin, cotter pin, bushing	8, 9, 10, 11
114DAL-AV-19	blank plate to replace ratchet plate if ratchet not required (optional)	---



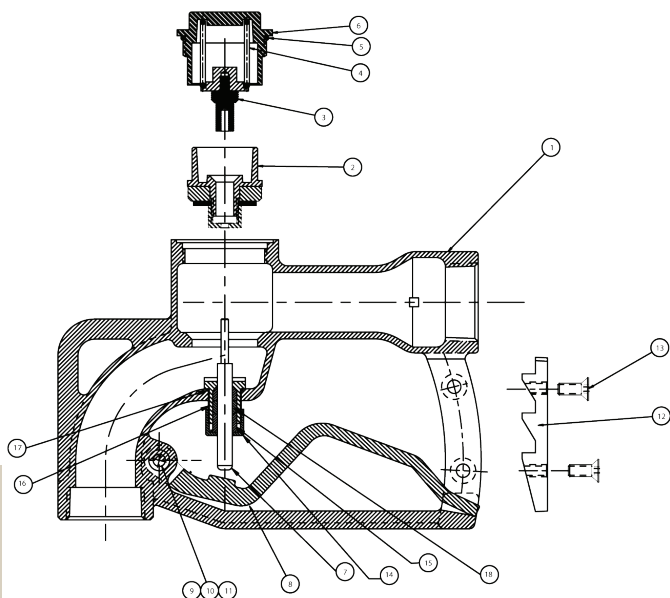
Petroleum
Replacement Parts

Fuel Nozzles

114D and 114DNS (1¼") Bulk Delivery Nozzles

Bill of Materials

Item #	Description	Part #	Qty
1	body	---	1
2	main poppet assembly	use kit 114DSK	1
3	secondary poppet assembly	use kit 114DSK	1
4	poppet spring	SPRG-L368	1
5	Buna cap O-ring	O-RING-AS-129	1
6	bronze cap	114DAL-2	1
7	valve stem assembly	use kit 114DSK	1
8	trigger	use kit 114/2D-TK	1
9	trigger bushing	114DAL-10	1
10	trigger pin	PIN-L389-SS	1
11	trigger cotter pin	110746	1
12	ratchet plate	340164	1
13	ratchet plate screws	110798	2
14	aluminum spout	1143A	1
15	sleeve stem packing	SLVL358-1	1
16	valve stem guide & O-ring	use kit 114DSK	1
17	valve stem O-ring	O-RING-AS016	1
18	valve stem packing	STEMPACK-L360	2
19	valve stem nut	NUTL357-1	1



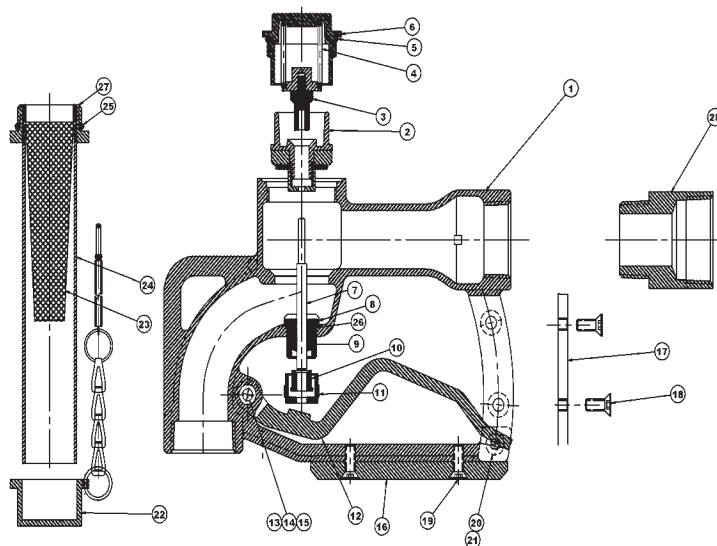
Repair Kits

Part #	Description	Includes Item #
114DSK	main and secondary poppets, cap O-ring, valve stem assembly and packing, sleeve stem packing and nut	2, 3, 5, 7, 15, 16, 17, 18, 19
114/2D-TK	replacement trigger, pin, bushing & cotter pin	8, 9, 10, 11
1143A	replacement aluminum spout	14
1143B	optional brass spout	replaces 14
114DAL-AV-19	optional blank plate to replace ratchet plate, if ratchet not desired	replaces 12

Petroleum Replacement Parts

Fuel Nozzles

114DAV Over Wing, Aviation Nozzles



Bill of Materials

Item #	Description	Part #	Qty
1	body	---	1
2	main poppet assembly	use kit 114DAV-SK	1
3	second poppet assembly	use kit 114DAV-SK	1
4	poppet spring	SPRG-L368	1
5	Buna cap O-ring	O-RING-AS-129	1
6	bronze cap	114DAL-4	1
7	valve stem	114DAL-3	1
8	valve stem guide & O-ring	use kit 114DAV-SK	1
9	valve stem packing	STEMPACK-L360	2
10	sleeve stem packing	SLV358-1	1
11	valve stem nut	NUTL357-1	1
12	trigger	use kit 114/2D-TK	1
13	trigger bushing	114DAL-10	1
14	trigger pin	PIN-L389-SS	1
15	cotter pin	110746	1
16	base plate	110088	1
17	trigger spacer	114DAL-AV-19	1
18	trigger spacer screws	110798	2
19	base plate screws	100AV-15	2
20	ground screw	407119	1
21	ground screw lock washer	100AV-17	1
22	spout cap	114DAL-AV-22	1
23A	1" spout filter screen (114DAVR)	100AV-12	1
23B	1¼" spout filter screen (114D-AV, 114D-AV-06ASM)	114DAL-AV-20	1
24A	1" spout (114DAVR)	use kit 114DAL-AV-25	1
24B	1¼" spout (114D-AV, 114D-AV-06ASM)	use kit 114DAL-AV-16	1
25A	1" spout O-ring (114DAVR)	use kit 114DAL-AV-25	1
25B	1¼" spout O-ring(114D-AV, 114D-AV-06ASM)	use kit 114DAL-AV-16	1
26	valve stem guide O-ring	O-RING-AS016	1
27A	1" spout adapter (114DAVR)	use kit 114DAL-AV-25	1
27B	1¼" spout adapter (114D-AV, 114D-AV-06ASM)	use kit 114DAL-AV-16	1
28	1½" inlet expander (114D-AV-06ASM)	340165	1

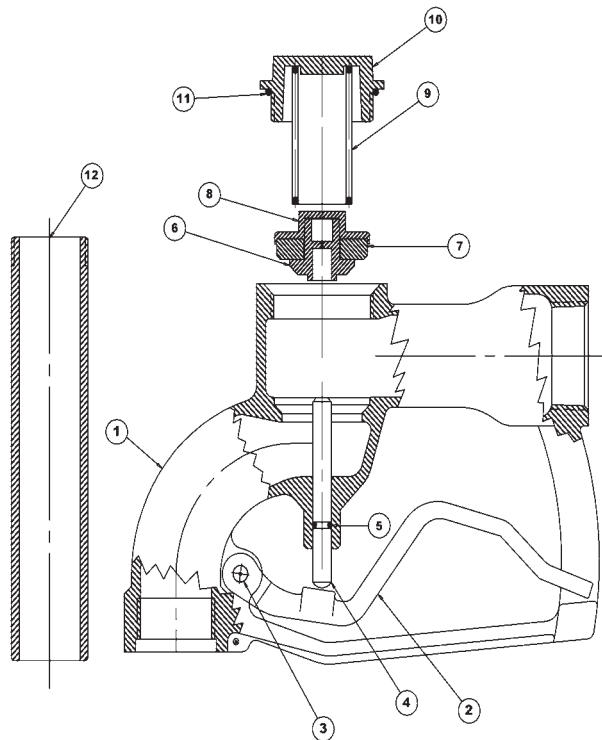
Repair Kits

Part #	Description	Includes Item #
114/2D-TK	trigger, bushing, pin and cotter pin	12, 13, 14, 15
114DAV-SK	main and secondary poppet assemblies, cap O-ring and valve stem assembly	2, 3, 5, 8
114DAL-AV-25	1" spout assembly (114DAVR)	24A, 25A, 27A
114DAL-AV-16	1¼" spout assembly (114D-AV, 114D-AV-06ASM)	24B, 25B, 27B

Petroleum Replacement Parts

Fuel Nozzles

1250-94 Series Gravity Nozzles



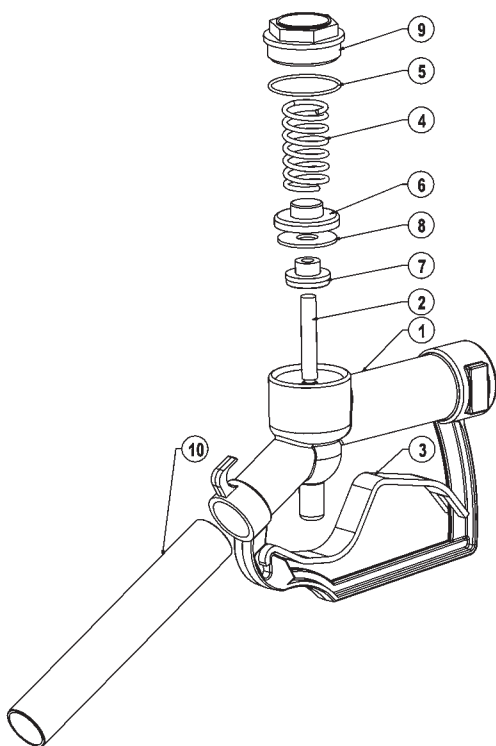
Bill of Materials

Item #	Description	Part #	Qty
1	body	---	1
2	trigger	use kit 1250TK	1
3	trigger pin	use kit 1250TK	1
4	valve stem plunger	use kit 1250SK	1
5	plunger O-ring	500-7A2	1
6	valve base	use kit 1250SK	1
7	valve seal	use kit 1250SK	1
8	valve plate	use kit 1250SK	1
9	valve spring	SPRG-L368	1
10	aluminum cap	1250-2	1
11	Buna O-ring cap	O-RING#132	1
12	aluminum spout	1250-3	1

Repair Kits

Part #	Description	Includes Item #
1250TK	trigger, pin	2, 3
1250SK	plunger, O-rings, valve seal, valve base, valve plate	4, 5, 6, 7, 8, 11

900 Series Utility Nozzles



Bill of Materials

Item #	Description	Part #	Qty
1	body	---	1
2	plunger	use kit 900SK	1
3	trigger	900TK	1
4	valve spring	SPRG-972	1
5	cap O-ring	112099	1
6	holder valve gasket	use kit 900SK	1
7	holder button gasket	use kit 900SK	1
8	valve seal	use kit 900SK	1
9	cap	875-3	1
10A	1" spout	875-4	1
10B	3/4" spout	234-80-4	1
10C	1" bent spout	875-5	1
10D	3/4" bent spout	234-80-5	1
not illustrated	3/4" FNPT inlet reducer	900RB	1

Repair Kits

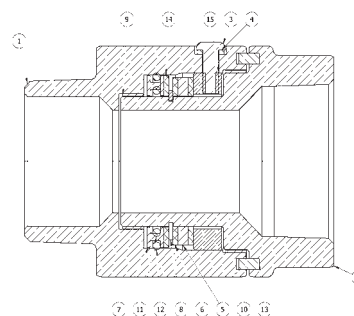
Part #	Description	Includes Item #
900TK	trigger	3
900SK	plunger assembly, valve assembly, cap O-ring	2, 4, 5, 6, 7, 8, 9

Fuel Nozzles

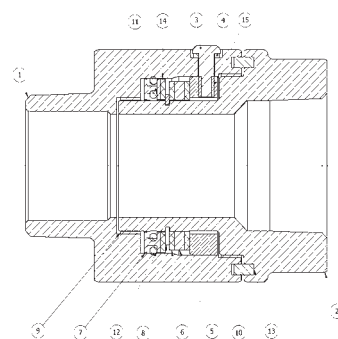
SWMF125, SWMF150 and SWMF200 Swivels

Bill of Materials SWMF125 & SWMF150

Item #	Description	Part #	Qty
1	female body	---	1
2	male body	---	1
3	screw	use kit SWMF-RK3	1
4	lock washer	use kit SWMF-RK3	1
5	thrust bearing	use kit SWMF-RK3	1
6	thrust washer	use kit SWMF-RK3	2
7	O-ring holder	use kit SWMF-RK2 or SWMF-RK3	1
8	retaining ring	use kit SWMF-RK3	1
9	front bearing	use kit SWMF-RK2 or SWMF-RK3	1
10	rear bearing	use kit SWMF-RK2 or SWMF-RK3	1
11	O-ring	use kit SWMF-RK2 or SWMF-RK3	1
12	O-ring	use kit SWMF-RK2 or SWMF-RK3	1
13	felt ring	use kit SWMF-RK2 or SWMF-RK3	1
14	support washer	use kit SWMF-RK3	1
15	support ring	use kit SWMF-RK3	1



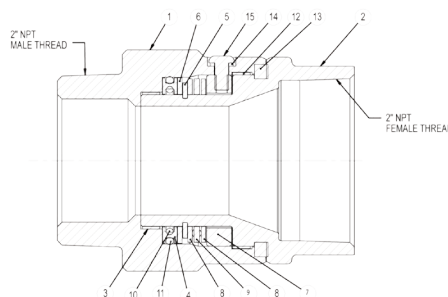
SWMF150



SWMF125

Bill of Materials SWMF200

Item #	Description	Part #	Qty
1	female body	---	1
2	male body	---	1
3	front bearing	use kit SWMF-RK22 or SWMFRK32	1
4	O-ring holder	use kit SWMF-RK22 or SWMFRK32	1
5	retaining ring	use kit SWMF-RK32	1
6	support washer	use kit SWMF-RK32	1
7	support ring	use kit SWMF-RK32	1
8	thrust washer	use kit SWMF-RK32	2
9	thrust bearing	use kit SWMF-RK32	1
10	O-ring	use kit SWMF-RK22 or SWMFRK32	1
11	large O-ring	use kit SWMF-RK22 or SWMFRK32	1
12	rear bearing	use kit SWMF-RK22 or SWMFRK32	1
13	felt ring	use kit SWMF-RK22 or SWMFRK32	1
14	lock washer	use kit SWMF-RK32	3
15	screw	use kit SWMF-RK32	3



SWMF200

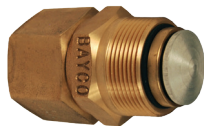
Repair Kits

Part #	Description	Includes Item #
SWMF-RK1	swivel grease nipple kit	---
SWMF-RK2	swivel seal and wear kit	7, 9, 10, 11, 12, 13
SWMF-RK3	complete swivel rebuild kit	3, 4, 5, 6, 7, 8, 9, 10, 11, 12, 13, 14, 15
SWMF-RK22	swivel seal and wear kit	3, 4, 10, 11, 12, 13
SWMF-RK32	complete rebuild kit	3, 4, 5, 6, 7, 8, 9, 10, 11, 12, 13, 14, 15

Petroleum Replacement Parts

Fuel Nozzles

Hose Shank and Check Valve Swivels



Check Valve NPT Swivel

- 1280** – 1¼" MNPT x 1¼" FNPT
- 1580U** - 1½" MNPT x 1½" FNPT
- 1580R** - 1¼" MNPT x 1½" FNPT

Hose x MNPT Swivel

- 1265** – 1¼" MNPT x 1¼" hose shank
- 1565U** - 1½" MNPT x 1½" hose shank
- 1570** - 1½" MNPT x 1⅜" hose shank



Repair Kits

Part #	Description
1200SK	replacement seal kit & retaining ring for 1280, 1265 and 1580R
1500SK	replacement seal kit & retaining ring for 1565U, 1580U
1570RK	replacement seal kit and retaining ring for 1570

500AV and 525AV Angle Valves

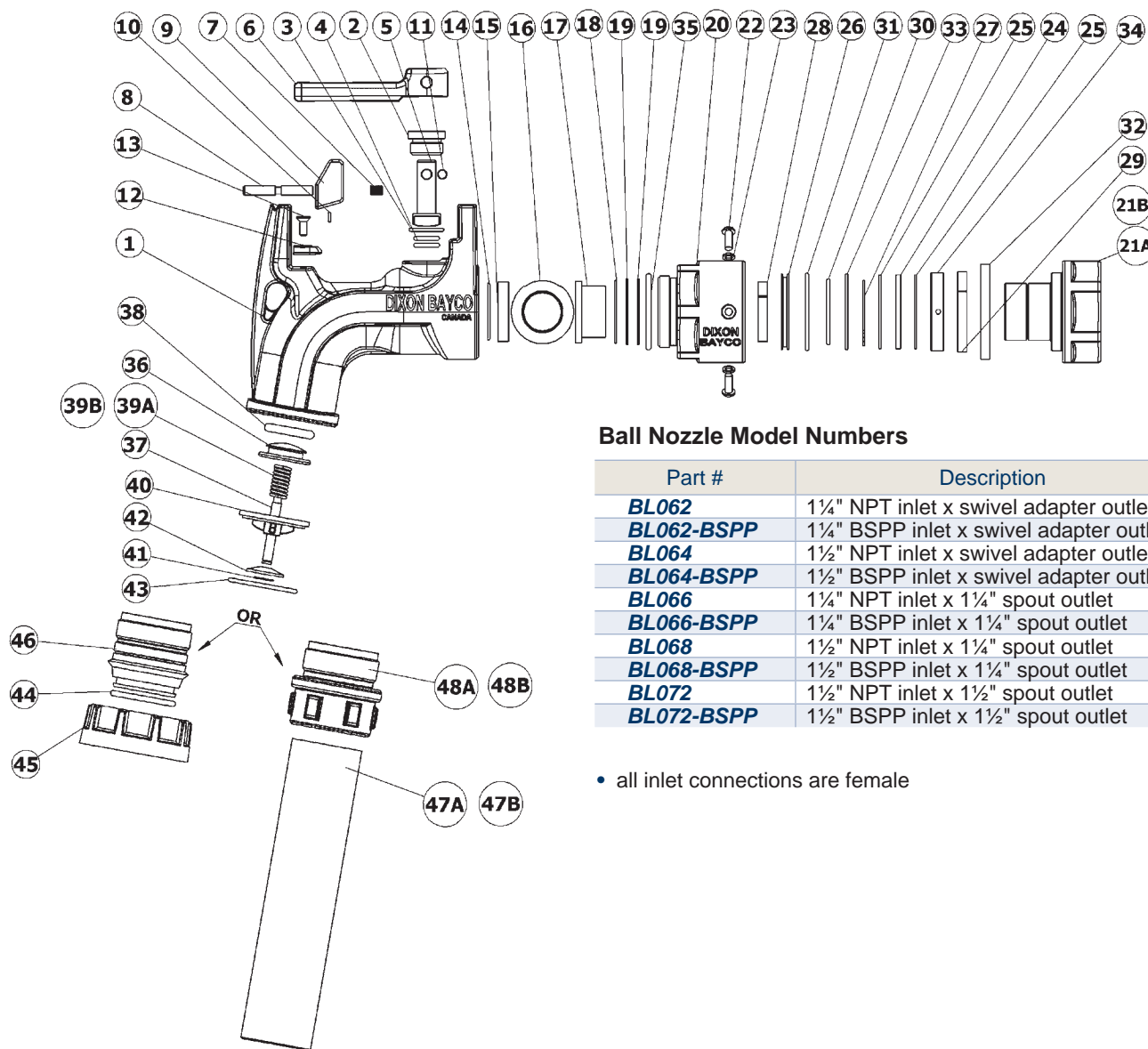


Repair Kit

Part #	Description
500K	replacement stem guide assembly, plunger assembly, O-ring and cotter pin

Fuel Nozzles

BL Ball Nozzles



Ball Nozzle Model Numbers

Part #	Description
BL062	1¼" NPT inlet x swivel adapter outlet
BL062-BSPP	1¼" BSPP inlet x swivel adapter outlet
BL064	1½" NPT inlet x swivel adapter outlet
BL064-BSPP	1½" BSPP inlet x swivel adapter outlet
BL066	1¼" NPT inlet x 1¼" spout outlet
BL066-BSPP	1¼" BSPP inlet x 1¼" spout outlet
BL068	1½" NPT inlet x 1¼" spout outlet
BL068-BSPP	1½" BSPP inlet x 1¼" spout outlet
BL072	1½" NPT inlet x 1½" spout outlet
BL072-BSPP	1½" BSPP inlet x 1½" spout outlet

• all inlet connections are female

Petroleum
Replacement Parts

Repair Kits

Part #	Description	Includes Item #
SWMF-RK1	inlet swivel grease nipple kit (optional)	not illustrated
SWMF-RK2	inlet swivel seal and wear kit	26, 28, 29, 30, 31, 32
SWMF-RK3	complete inlet swivel rebuild kit	22, 23, 24, 25, 26, 27, 28, 29, 30, 31, 32, 33, 34
SWMF-RK4	1½" FNPT replacement inlet swivel	20, 21B, 22(3), 23(3), 24, 25(2), 26, 27, 28, 29, 30, 31, 32, 33, 34, 35
SWMF-RK5	1¼" FNPT replacement inlet swivel	20, 21A, 22(3), 23(3), 24, 25(2), 26, 27, 28, 29, 30, 31, 32, 33, 34, 35
SWMF-RK6	1½" BSPP replacement inlet swivel	20, 21C, 22(3), 23(3), 24, 25(2), 26, 27, 28, 29, 30, 31, 32, 33, 34, 35
BL005	replacement swivel outlet (BL062, BL064)	43, 44, 45, 46
BL-RK4	ball valve shaft seal kit	2, 3, 4, 5
BL-RK10	complete ball nozzle seal kit	3, 4, 14, 15, 17, 35, 38, 43, 44
BL-RK11	optional check valve 5 PSI spring kit	39B, 43
BL-RK12	standard check valve 3 PSI cartridge kit	36, 37, 38, 39a, 40, 41, 42, 43
BL-RK13	replacement trigger kit	6, 7, 8, 9, 10, 11, 12, 13(2)

Fuel Nozzles

BL Ball Nozzles

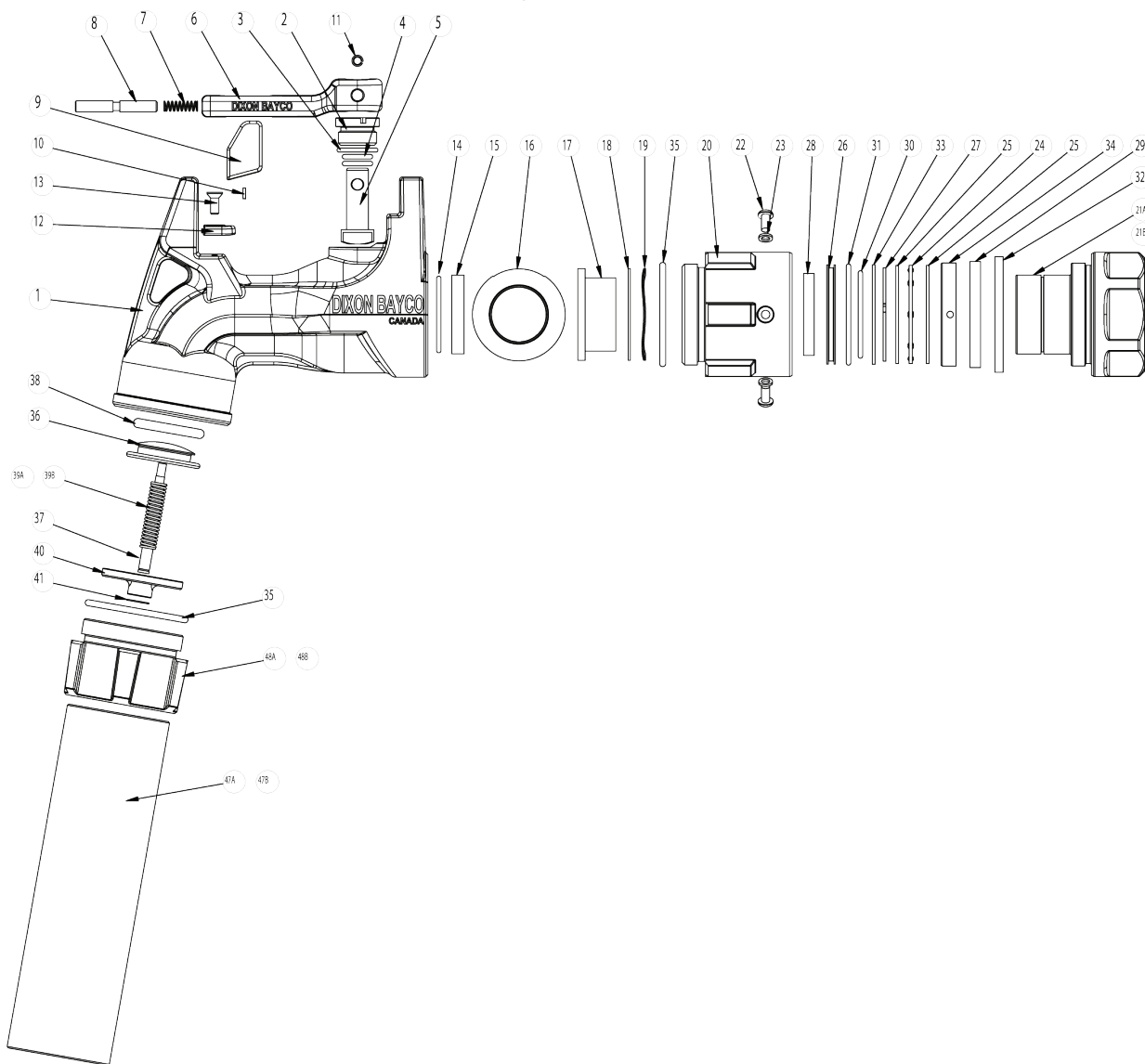
Bill of Materials

Item #	Description	Part #	Qty
1	body	---	1
2	bronze guide shaft	use kit BL-RK4	1
3	O-ring	use kit BL-RK4 or BL-RK10	1
4	O-ring	use kit BL-RK4 or BL-RK10	2
5	shaft lever	use kit BL-RK4	1
6	lever	use kit BL-RK13	1
7	compression spring	use kit BL-RK13	1
8	shaft latch	use kit BL-RK13	1
9	latch	use kit BL-RK13	1
10	screw	use kit BL-RK13	1
11	pin	use kit BL-RK13	1
12	lever plate	use kit BL-RK13	1
13	screw	use kit BL-RK13	2
14	O-ring	use kit BL-RK10	1
15	seal	use kit BL-RK10	1
16	ball	BL062-2	1
17	ball seat	use kit BL-RK10	1
18	washer	111719	1
19	wave spring	110902	2
20	swivel body	use kit SWMF-RK4, SWMF-RK5 or SWMF-RK6	1
21A	swivel inlet 1¼" NPT	use kit SWMF-RK5	1
21B	swivel inlet 1½" NPT	use kit SWMF-RK4	1
21C	swivel inlet 1½" BSPP	use kit SWMF-RK6	1
22	screw	use kit SWMF-RK3, SWMF-RK4, SWMF-RK5 or SWMF-RK6	3
23	lock washer	use kit SWMF-RK3, SWMF-RK4, SWMF-RK5 or SWMF-RK6	3
24	thrust bearing	use kit SWMF-RK3, SWMF-RK4, SWMF-RK5 or SWMF-RK6	1
25	thrust washer	use kit SWMF-RK3, SWMF-RK4, SWMF-RK5 or SWMF-RK6	2
26	O-ring holder	use kit SWMF-RK2, SWMF-RK3, SWMF-RK4, SWMF-RK5 or SWMF-RK6	1
27	retaining ring	use kit SWMF-RK3, SWMF-RK4, SWMF-RK5 or SWMF-RK6	1
28	font bearing	use kit SWMF-RK2, SWMF-RK3, SWMF-RK4, SWMF-RK5 or SWMF-RK6	1
29	rear bearing	use kit SWMF-RK2, SWMF-RK3, SWMF-RK4, SWMF-RK5 or SWMF-RK6	1
30	O-ring	use kit SWMF-RK2, SWMF-RK3, SWMF-RK4, SWMF-RK5 or SWMF-RK6	1
31	O-ring	use kit SWMF-RK2, SWMF-RK3, SWMF-RK4, SWMF-RK5 or SWMF-RK6	1
32	dust seal	use kit SWMF-RK2, SWMF-RK3, SWMF-RK4, SWMF-RK5 or SWMF-RK6	1
33	support washer	use kit SWMF-RK3, SWMF-RK4, SWMF-RK5 or SWMF-RK6	1
34	support ring	use kit SWMF-RK3, SWMF-RK4, SWMF-RK5 or SWMF-RK6	1
35	O-ring	use kit SWMF-RK4, SWMF-RK5 or SWMF-RK6	1
36	poppet	use kit BL-RK12	1
37	stem	use kit BL-RK12	1
38	O-ring	use kit BL-RK10 or BL-RK12	1
39A	compression spring (3 PSI)	use kit BL-RK12	1
39B	compression spring (5 PSI)	use kit BL-RK11	1
40	bridge	use kit BL-RK12	1
41	retaining ring	use kit BL-RK12	1
42	washer	use kit BL005, BL-RK10, BL-RK11 or BL-RK12	1
43	O-ring	use kit BL005, BL-RK10 or BL-RK12	1
44	O-ring	use kit BL005	1
45	swivel nut	use kit BL005	1
46	swivel adapter	use kit BL005	1
47A	spout 1¼"	1143A	1
47B	spout 1½"	1125A	1
48A	spout adapter 1¼" NPT	341703	1
48B	spout adapter 1½" NPT	BL007	1

Petroleum
Replacement Parts

Fuel Nozzles

BL Super Ball Nozzles BL918, BL919 & BL920



Petroleum
Replacement Parts

Repair Kits

Part #	Description	Includes Item #
<i>SWMF-RK1</i>	inlet swivel grease nipple kit (optional)	not illustrated
<i>SWMF-RK22</i>	inlet swivel seal and wear kit	26, 28, 29, 30, 31, 32
<i>SWMF-RK32</i>	complete inlet swivel rebuild kit	22, 23, 24, 25, 26, 27, 28, 29, 30, 31, 32, 33, 34
<i>SWMF-RK42</i>	2" FNPT replacement inlet swivel	20, 21A, 22(3), 23(3), 24, 25(2), 26, 27, 28, 29, 30, 31, 32, 33, 34, 35
<i>SWMF-RK52</i>	1½" FNPT replacement inlet swivel	20, 21B, 22(3), 23(3), 24, 25(2), 26, 27, 28, 29, 30, 31, 32, 33, 34, 35
<i>BL-RK42</i>	ball valve shaft seal kit	2, 3, 4, 5
<i>BL-RK102</i>	complete ball nozzle seal kit	3, 4, 14, 15, 17, 35, 38
<i>BL-RK112</i>	optional check valve 5 PSI spring kit	35, 39B
<i>BL-RK122</i>	standard check valve 3 PSI cartridge kit	35, 36, 37, 38, 39a, 40, 41
<i>BL-RK13</i>	replacement trigger kit	6, 7, 8, 9, 10, 11, 12, 13(2)

Fuel Nozzles

BL Super Ball Nozzles

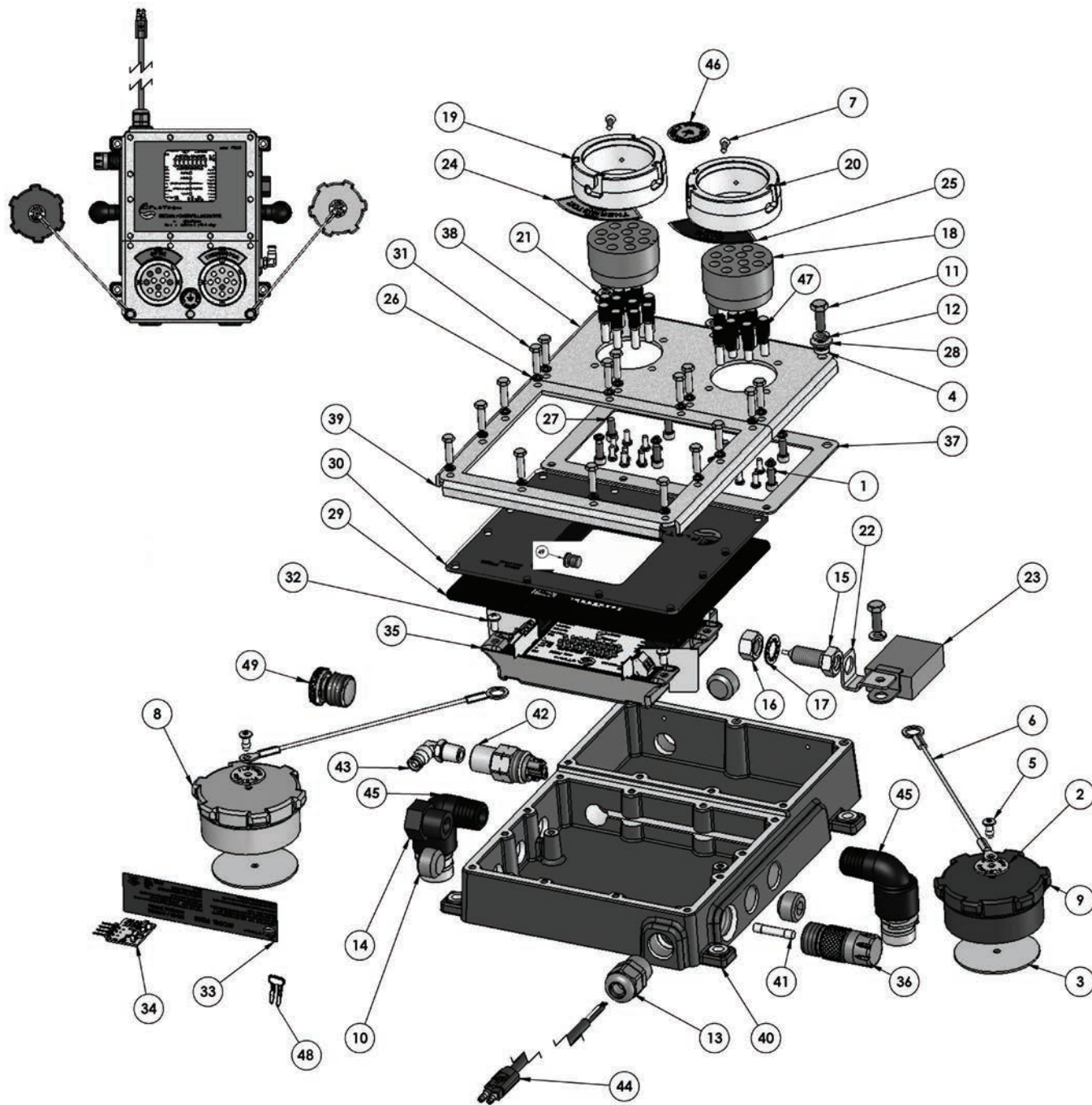
Bill of Materials

Item #	Description	Part #	Qty
1	body	---	1
2	bronze guide shaft	use kit BL-RK42	1
3	O-ring	use kit BL-RK42 or BL-RK102 (includes item 35)	2
4	O-ring	use kit BL-RK42 or BL-RK102 (includes item 35)	1
5	shaft lever	use kit BL-RK42	1
6	lever	use kit BL-RK13	1
7	compression spring	use kit BL-RK13	1
8	shaft latch	use kit BL-RK13	1
9	latch	use kit BL-RK13	1
10	screw	use kit BL-RK13	1
11	pin	use kit BL-RK13	1
12	lever plate	use kit BL-RK13	1
13	screw	use kit BL-RK13	2
14	O-ring	use kit BL-RK102	1
15	seal	use kit BL-RK102	1
16	ball	112091	1
17	ball seat	use kit BL-RK102	1
18	washer	112092	1
19	wave spring	112090	2
20	swivel body	use kit SWMF-RK42 or SWMF-RK52	1
21A/B	swivel inlet	use kit SWMF-RK42 or SWMF-RK52	1
22	screw	use kit SWMF-RK42 or SWMF-RK52	3
23	lock washer	use kit SWMF-RK42 or SWMF-RK52	3
24	thrust bearing	use kit SWMF-RK42 or SWMF-RK52	1
25	thrust washer	use kit SWMF-RK42 or SWMF-RK52	2
26	O-ring holder	use kit SWMF-RK22, SWMF-RK32, SWMF-RK42 or SWMF-RK52	1
27	retaining ring	use kit SWMF-RK32 (includes items 22,23, 24, 25, 33, 34), SWMF-RK42 or SWMF-RK52	1
28	front bearing	use kit SWMF-RK22, SWMF-RK32, SWMF-RK42 or SWMF-RK52	1
29	rear bearing	use kit SWMF-RK22, SWMF-RK32, SWMF-RK42 or SWMF-RK52	1
30	O-ring	use kit SWMF-RK22, SWMF-RK32, SWMF-RK42 or SWMF-RK52	1
31	O-ring	use kit SWMF-RK22, SWMF-RK32, SWMF-RK42 or SWMF-RK52	1
32	dust seal	use kit SWMF-RK22, SWMF-RK32, SWMF-RK42 or SWMF-RK52	1
33	support washer	use kit SWMF-RK42 or SWMF-RK52	1
34	support ring	use kit SWMF-RK42 or SWMF-RK52	1
35	O-ring	use kit SWMF-RK42 or SWMF-RK52	1
36	poppet	use kit BL-RK122	1
37	stem	use kit BL-RK122	1
38	O-ring	use kit BL-RK102 (includes item 35) or BL-RK122	1
39A/B	compression spring	use kit BL-RK112 or BL-RK122	1
40	bridge	use kit BL-RK122	1
41	retaining ring	use kit BL-RK122	1
47A/47B	spout	391137 (2") / 1125A (1½")	1
48A/48B	spout adapter	341780 (NPT) / 341781 (BSPP)	1

Petroleum
Replacement Parts

Fuel Tanker Overfill Detection

FT208 - 39xP Series Plug-n-Play Monitors with Integrated Dual Sockets



Overfill
Replacement Parts



Call Toll Free: 1-866-711-4673
International: +1-727-342-5086



Fuel Tanker Overfill Detection

Plug-n-Play Monitors with Integrated Dual Sockets

Bill of Materials

Item #	Description	Part #	Quantity of Components Per Unit																								
			FT208-390P	FT208-390PG	FT208-390PPG	FT208-390PPGSO	FT208-390PPGST	FT208-390PPGSTO	FT208-390PPGT	FT208-390PP	FT208-390PPG	FT208-390PPGS	FT208-390PPGSO	FT208-390PPGST	FT208-390PPGSTO	FT208-390PPGT	FT208-391P	FT208-391PG	FT208-391PGS	FT208-391PGST	FT208-391PGT	FT208-391PP	FT208-391PPG	FT208-391PPGS	FT208-391PPGST	FT208-391PPGT	
1	stainless steel screw	10086	16	16	16	16	16	16	16	16	16	16	16	16	16	16	16	16	16	16	16	16	16	16	16	16	16
2	aluminum name plate - socket washer	use kit FT320 or FT321	2	2	2	2	2	2	2	2	2	2	2	2	2	2	2	2	2	2	2	2	2	2	2	2	2
3	aluminum washer 2.500 x .0625	use kit FT320 or FT321	2	2	2	2	2	2	2	2	2	2	2	2	2	2	2	2	2	2	2	2	2	2	2	2	2
4	stainless steel spacer	10089	2	2	2	2	2	2	2	2	2	2	2	2	2	2	2	2	2	2	2	2	2	2	2	2	2
5	aluminum rivet .1875	use kit FT320 or FT321	2	2	2	2	2	2	2	2	2	2	2	2	2	2	2	2	2	2	2	2	2	2	2	2	2
6	stainless steel cable - socket 8"	use kit FT320 or FT321	2	2	2	2	2	2	2	2	2	2	2	2	2	2	2	2	2	2	2	2	2	2	2	2	2
7	stainless steel screw - contact block	10094	2	2	2	2	2	2	2	2	2	2	2	2	2	2	2	2	2	2	2	2	2	2	2	2	2
8	vinyl dust cap - thermistor (green)	use kit FT321	1	1	1	1	1	1	1	1	1	1	1	1	1	1	1	1	1	1	1	1	1	1	1	1	1
9	vinyl dust cap - optic (blue)	use kit FT320	1	1	1	1	1	1	1	1	1	1	1	1	1	1	1	1	1	1	1	1	1	1	1	1	1
10	polypropylene pipe plug	10103	4	4	4	4	4	4	4	4	3	3	3	3	3	3	4	4	4	4	4	4	3	3	3	3	3
11	stainless steel screw	10110	4	4	4	4	4	4	4	4	4	4	4	4	4	4	4	4	4	4	4	4	4	4	4	4	4
12	stainless steel lock washer	10111	4	4	4	4	4	4	4	4	4	4	4	4	4	4	4	4	4	4	4	4	4	4	4	4	4
13	polyamide strain relief	10139	n/a	n/a	n/a	1	n/a	1	n/a	n/a	n/a	n/a	1	n/a	1	n/a	n/a	n/a	n/a	n/a	n/a	n/a	n/a	n/a	n/a	n/a	n/a
14	reset switch assy	10200A	1	1	1	1	1	1	1	1	1	1	1	1	1	1	1	1	1	1	1	1	1	1	1	1	1
15	ground wire assembly	10735-002	n/a	1	1	1	1	1	1	n/a	1	1	n/a	1	1	1	n/a	1	1	1	1	n/a	1	1	1	1	1
16	ground wire assembly	10735-002	n/a	1	1	1	1	1	1	n/a	1	1	n/a	1	1	1	n/a	1	1	1	1	n/a	1	1	1	1	1
17	ground wire assembly	10735-002	n/a	1	1	1	1	1	1	n/a	1	1	n/a	1	1	1	n/a	1	1	1	1	n/a	1	1	1	1	1
18	plastic contact block - socket short	10254	2	2	2	2	2	2	2	2	2	2	2	2	2	2	2	2	2	2	2	2	2	2	2	2	2
19	stainless steel ring 4 J slots	10366SS-001 (was FT9044)	1	1	1	1	1	1	1	1	1	1	1	1	1	1	2	2	2	2	2	2	2	2	2	2	2
20	stainless steel ring 3 J slots	10366SS-002 (was FT9043)	1	1	1	1	1	1	1	1	1	1	1	1	1	1	n/a	n/a	n/a	n/a	n/a	n/a	n/a	n/a	n/a	n/a	n/a
21	stainless steel socket pin - short	10368SS (was FT9061)	16	16	16	16	16	16	16	16	16	16	16	16	16	16	16	16	16	16	16	16	16	16	16	16	16
22	ground wire assembly	10735-002	n/a	1	1	1	1	1	1	n/a	1	1	n/a	1	1	1	n/a	1	1	1	1	n/a	1	1	1	1	1
23	T.I.M. module	10372	n/a	n/a	n/a	n/a	1	1	1	n/a	n/a	n/a	n/a	1	1	1	n/a	n/a	n/a	1	1	n/a	n/a	n/a	n/a	1	1
24	aluminum name plate - thermistor	10373AL	1	1	1	1	1	1	1	1	1	1	1	1	1	1	1	1	1	1	1	1	1	1	1	1	1
25	aluminum name plate - optic	10374AL	1	1	1	1	1	1	1	1	1	1	1	1	1	1	1	1	1	1	1	1	1	1	1	1	1
26	stainless steel lock washer	10375SS	24	24	24	24	24	24	24	24	24	24	24	24	24	24	24	24	24	24	24	24	24	24	24	24	24
27	stainless steel screw	10376SS	8	8	8	8	8	8	8	8	8	8	8	8	8	8	8	8	8	8	8	8	8	8	8	8	8
28	stainless steel washer	10382SS	2	2	2	2	2	2	2	2	2	2	2	2	2	2	2	2	2	2	2	2	2	2	2	2	2
29	neoprene gasket	10432NP (was FT9045)	1	1	1	1	1	1	1	1	1	1	1	1	1	1	1	1	1	1	1	1	1	1	1	1	1
30	acrylic bezel	10433PL	1	1	1	1	1	1	1	1	1	1	1	1	1	1	1	1	1	1	1	1	1	1	1	1	1
31	stainless steel screw	10436SS	16	16	16	16	16	16	16	16	16	16	16	16	16	16	16	16	16	16	16	16	16	16	16	16	16
32	stainless steel screw - sems	10437SS	4	4	4	4	4	4	4	4	4	4	4	4	4	4	4	4	4	4	4	4	4	4	4	4	4
33	chrome mylar label	10438A	1	1	1	1	1	1	1	1	1	1	1	1	1	1	1	1	1	1	1	1	1	1	1	1	1
34	programming board assembly	10459 (was FT9035)	1	1	1	1	1	1	1	1	1	1	1	1	1	1	1	1	1	1	1	1	1	1	1	1	1
35	potted OBM	10465	1	1	1	1	1	1	1	1	1	1	1	1	1	1	1	1	1	1	1	1	1	1	1	1	1
36	fuse holder assembly	10596PLAC	1	1	1	1	1	1	1	1	1	1	1	1	1	1	1	1	1	1	1	1	1	1	1	1	1
37	cork gasket - lid	10597CK	1	1	1	1	1	1	1	1	1	1	1	1	1	1	1	1	1	1	1	1	1	1	1	1	1
38	aluminum faceplate	10598AL	1	1	1	1	1	1	1	1	1	1	1	1	1	1	1	1	1	1	1	1	1	1	1	1	1
39	aluminum frame	10599AL	1	1	1	1	1	1	1	1	1	1	1	1	1	1	1	1	1	1	1	1	1	1	1	1	1
40	aluminum housing	10600AL	1	1	1	1	1	1	1	1	1	1	1	1	1	1	1	1	1	1	1	1	1	1	1	1	1
41	glass fuse .5 amp	10601	1	1	1	1	1	1	1	1	1	1	1	1	1	1	1	1	1	1	1	1	1	1	1	1	1
42	brass pressure switch	10602BR	n/a	n/a	1	1	1	1	n/a	n/a	n/a	1	1	1	1	n/a	n/a	n/a	1	1	n/a	n/a	1	1	1	1	n/a
43	brass dot air brake swivel fitting	10603BR	n/a	n/a	1	1	1	1	n/a	n/a	n/a	1	1	1	1	n/a	n/a	n/a	1	1	n/a	n/a	1	1	1	1	n/a
44	power wire Plug-N-Play	10612	n/a	n/a	n/a	1	n/a	1	n/a	n/a	n/a	n/a	1	n/a	1	n/a	n/a	n/a	n/a	n/a	n/a	n/a	n/a	n/a	n/a	n/a	n/a
45	OBM plug elbow assy (Plug-n-Play)	10616PLBN	1	1	1	1	1	1	1	2	2	2	2	2	2	2	2	1	1	1	1	1	2	2	2	2	2
46	aluminum label - ground bolt	10621AL	1	1	1	1	1	1	1	1	1	1	1	1	1	1	1	1	1	1	1	1	1	1	1	1	1
47	plastic black button insert	BLACK BUTTON INSERT	6	6	6	6	6	6	6	6	6	6	6	6	6	6	6	6	6	6	6	6	6	6	6	6	6
48	jumper cross connector	10196	1	1	n/a	n/a	n/a	n/a	1	1	1	n/a	n/a	n/a	n/a	1	1	1	n/a	n/a	1	1	1	n/a	n/a	1	1
49	acetal plug	10606AC-002	1	1	n/a	n/a	n/a	n/a	1	1	1	n/a	n/a	n/a	n/a	1	1	1	n/a	n/a	1	1	1	n/a	n/a	1	1

Repair Kits

Part #	Description	Includes Item #
FT320	replacement blue (optic) vinyl cap assembly	2, 3, 5, 6, 9
FT321	replacement green (thermistor) vinyl cap assembly	2, 3, 5, 6, 8
FT9051	replacement contact assembly for FT390/393 Optic 6 pin	1, 7, 18, 21
FT9052	replacement contact assembly for FT390/393 Thermistor 10 pin	1, 7, 18, 21
FT9062	replacement nose ring contact assembly, Thermistor 4J slot, 10 pin	1, 7, 18, 19, 21
FT9063	replacement nose ring contact assembly, Optic 3 J slot, 6 pin	1, 7, 18, 20, 21
FT9068	replacement contact block attachment screws and washers (4 each)	26, 27

Overfill Replacement Parts

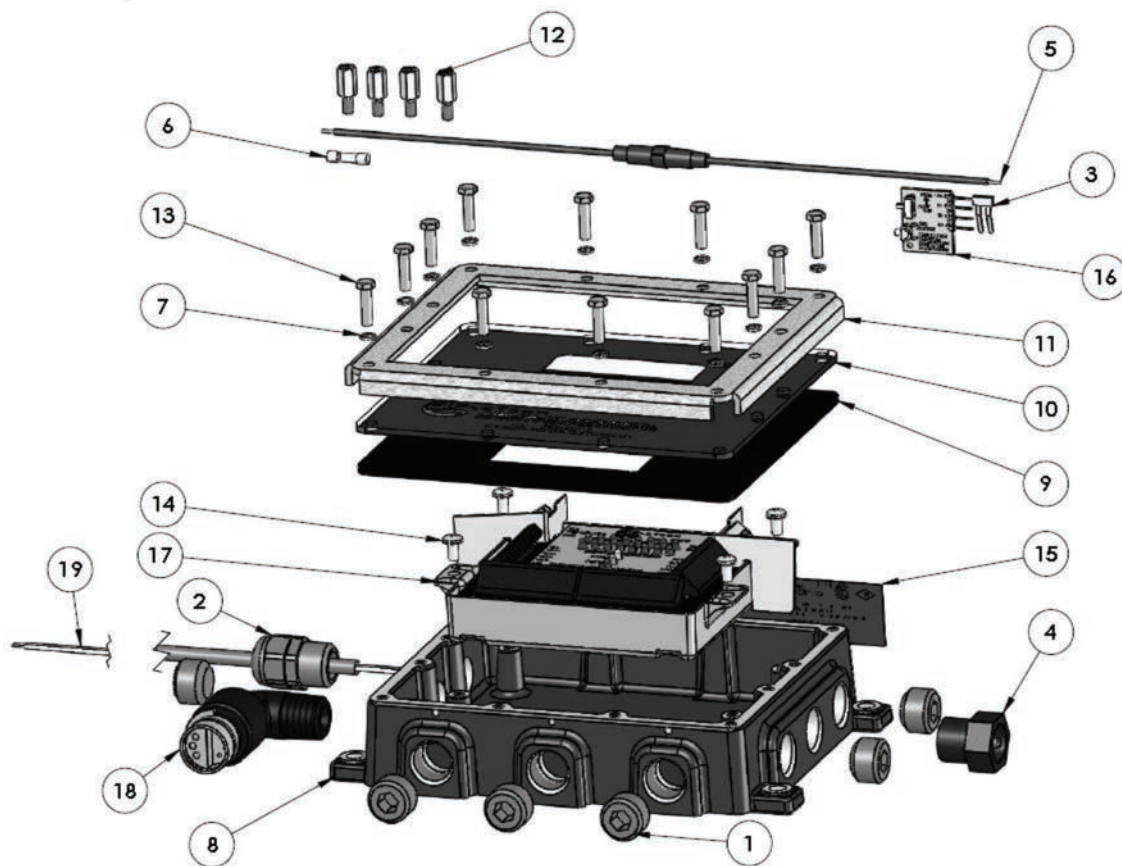


Call Toll Free: 1-866-711-4673
International: +1-727-342-5086



Fuel Tanker Overfill Detection

FT 208P Series Plug-n-Play Stand Alone Monitors



Bill of Materials

Item #	Description	Part #	FT208P	FT208PP	FT208PPC
1	polypropylene pipe plug	10103	6	4	3
2	polyamide strain relief	10139	1	1	2
3	jumper - cross connector	10196	1	1	1
4	reset switch assembly	10200A	1	1	1
5	plastic fuse holder	10356	1	1	1
6	brass/glass fuse - 1/2 amp	10358 (was FT9039)	1	1	1
7	stainless steel lock washer	10375SS	12	12	12
8	aluminum box	10430AL	1	1	1
9	neoprene gasket	10432NP (was FT9045)	1	1	1
10	acrylic bezel	10433PL	1	1	1
11	aluminum frame	10434AL	1	1	1
12	aluminum standoff (old style boxes)	10435AL	4	4	n/a
13	stainless steel screw	10436SS	12	12	12
14	stainless steel screw - stems	10437SS	4	4	4
15	chrome mylar label	10438A	1	1	1
16	programming board assembly	10459 (was FT9035)	1	1	1
17	potted OBM	10465	1	1	1
18	OBM plug elbow assy (Plug-n-Play)	10616PLBN	1	3	3
19	power cable	10639	1	1	n/a

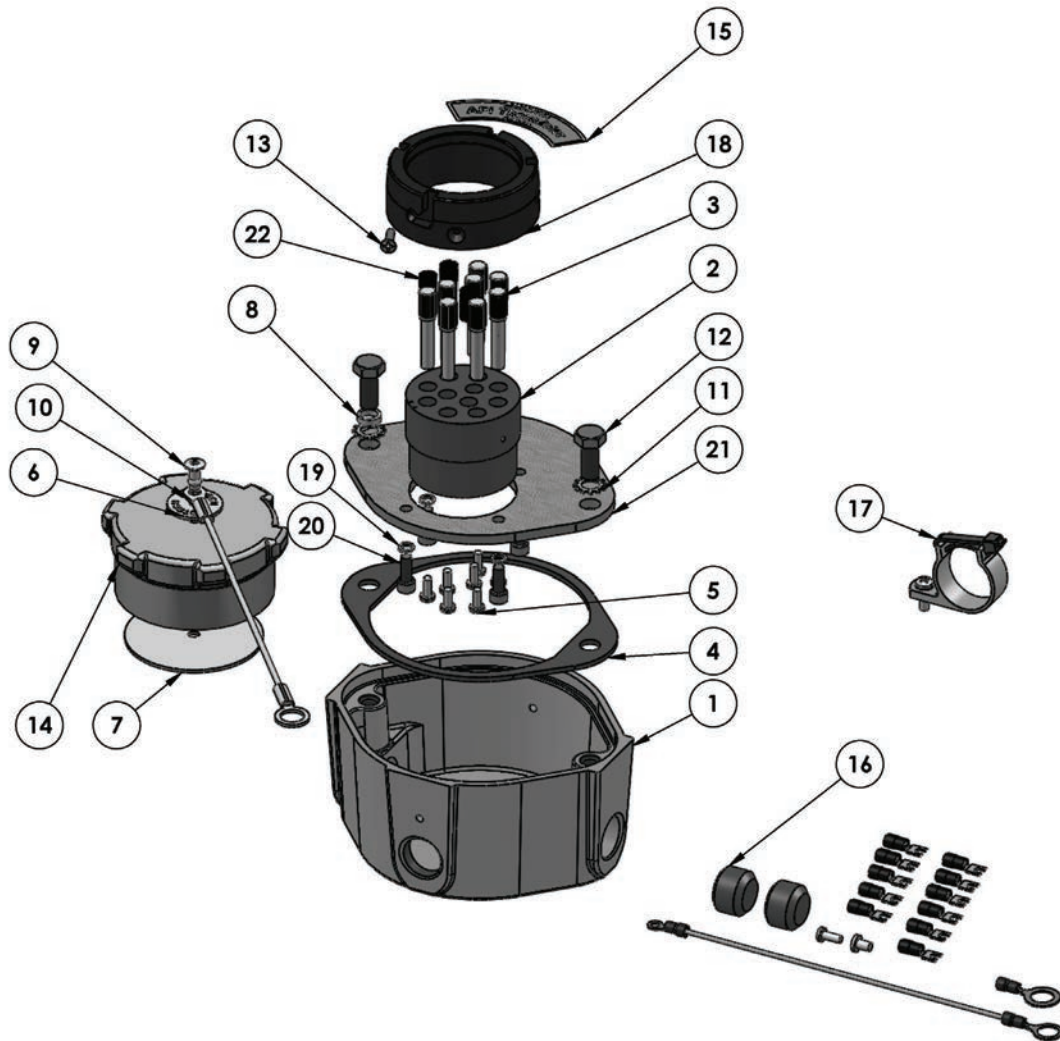
Repair Kits

Part #	Description	Includes Item #
FT9036	replacement lid, bezel, screws & lockwashers	7, 9, 10, 11, 13
FT9040	replacement checkmate housing with lid	1, 7-14

Replacement Parts
Overfill

Fuel Tanker Overfill Detection

Plug-n-Play Stand Alone Sockets FT300P & FT301P



Overfill
Replacement Parts

Repair Kits

Part #	Description	Includes Item #
FT320	replacement blue (optic) vinyl cap assembly	6, 7, 9, 10, 14B
FT321	replacement green (thermistor) vinyl cap assembly	6, 7, 9, 10, 14A
FT310	face plate assembly - API optic ALH wear ring 6 pin 3 J Slots (US)	2 - 16, 18 - 22
FT310SS	face plate assembly - API optic SS GFL wear ring 6 pin 3 J Slots (US)	2 - 16, 18 - 22
FT311	face plate assembly - API Thermistor ALH wear ring 8 pin 4 J Slots (US)	2 - 22
FT311SS	face plate assembly - API Thermistor SS GFL wear ring 8 pin 4 J Slots (US)	2 - 22
FT9008	replacement contact block for FT300 Optic	2, 3, 5, 13
FT9009	replacement contact block for FT301 Thermistor	2, 3, 5, 13
FT9013	replacement faceplate 4 J slot (without contact block or hardware)	4, 15B, 18A, 19-21
FT9020	replacement socket pin, screw & crimp lug	3, 5
FT9034	replacement 3 J slot (without contact block and hardware)	4, 15A, 18B, 19-21
FT9046	replacement socket contact pins and screws	3, 5
FT9068	replacement contact block attachment screws and washers (4 each)	19, 20
10387P-20	wiring harness (Plug-n-Play) 20 ft.	Refer to page 134 for image
10605PL	plastic clip	Refer to page 134 for image

Fuel Tanker Overfill Detection

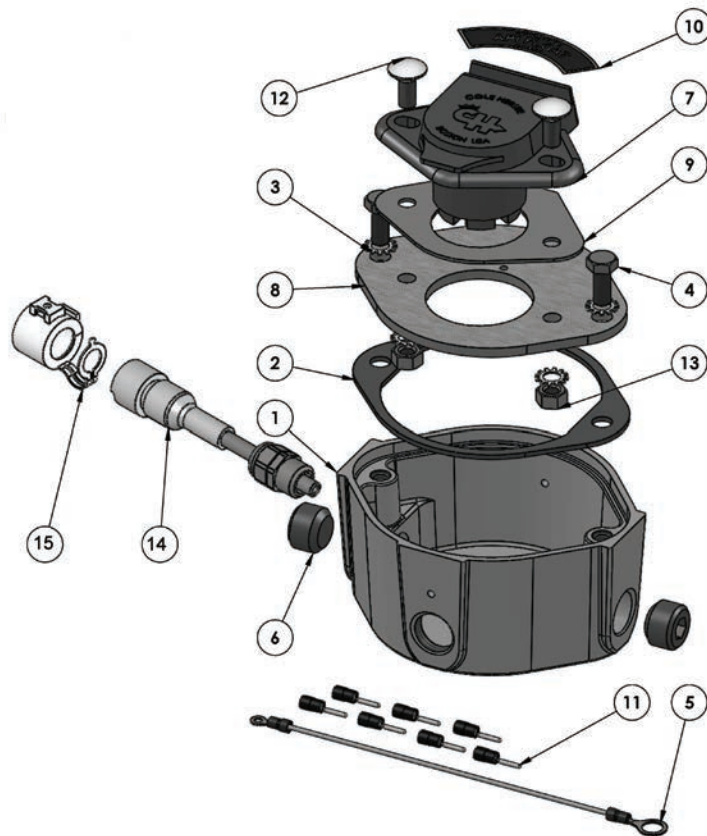
Plug-n-Play Stand Alone Sockets FT300P & FT301P

Bill of Materials

Item #	Description	Part #	FT300P	FT301P	FT310	FT310SS	FT311	FT311SS
1	aluminum housing	10031 (was FT9007)	1	1	n/a	n/a	n/a	n/a
2	plastic contact block	10690PL-001	1	1	1	1	1	1
3	stainless steel socket pin	10368SS	6	8	6	6	8	8
4	neoprene gasket	10038 (was FT9032)	1	1	1	1	1	1
5	stainless steel screw	10086	6	8	6	6	8	8
6	aluminum name plate - socket washer	Use cap kit FT320 or FT321	1	1	1	1	1	1
7	aluminum washer 2.500 x .0625	Use cap kit FT320 or FT321	1	1	1	1	1	1
8	stainless steel spacer	10089	1	1	1	1	1	1
9	aluminum rivet .1875	Use cap kit FT320 or FT321	1	1	1	1	1	1
10	stainless steel cable - socket 8"	Use cap kit FT320 or FT321	1	1	1	1	1	1
11	stainless steel lock washer	10092	2	2	2	2	2	2
12	stainless steel screw	10093	2	2	2	2	2	2
13	stainless steel screw - contact block	10094	1	1	1	1	1	1
14A	vinyl dust cap - thermistor (green)	Use cap kit FT321	n/a	1	n/a	n/a	1	1
14B	vinyl dust cap - optic (blue)	Use cap kit FT320	1	n/a	1	1	n/a	n/a
15A	aluminum name plate - FT300	10099	1	n/a	1	1	n/a	n/a
15B	aluminum name plate - FT301	10100	n/a	1	n/a	n/a	1	1
16	assembly hardware	10106	1	1	1	1	1	1
17	nylon clamp assembly	10264	n/a	1	n/a	n/a	1	1
18A	ALH wear ring - 4 J slots	10366HC-001 (was FT9042)	n/a	1	n/a	n/a	1	n/a
18B	ALH wear ring - 3 J slots	10366HC-002 (was FT9041)	1	n/a	1	n/a	n/a	n/a
18C	stainless steel wear ring - 4 J slots	10366SS-001 (was FT9044)	n/a	n/a	n/a	n/a	n/a	1
18D	stainless steel wear ring - 3 J slots	10366SS-002 (was FT9043)	n/a	n/a	n/a	1	n/a	n/a
19	stainless steel lock washer	10375SS	4	4	4	4	4	4
20	stainless steel screw	10376SS	4	4	4	4	4	4
21	aluminum socket plate	10431AL	1	1	1	1	1	1
22	plastic black button insert	BLACK BUTTON INSERT	6	6	6	6	6	6
23	wiring harness (Plug-n-Play) 20 ft.	10387P-20	1	1	n/a	n/a	n/a	n/a
24	plastic clip	10605PL	1	1	n/a	n/a	n/a	n/a

Fuel Tanker Overfill Detection

Plug-n-Play Stand Alone Sockets FT306P



Bill of Materials

Item #	Description	Part #	FT208P	FT208PPC
1	aluminum housing	10031 (was FT9007)	1	n/a
2	neoprene gasket	10038 (was FT9032)	1	1
3	stainless steel lock washer	10092	4	4
4	stainless steel screw	10093	2	2
5	wire, assembly, socket	10095	1	1
6	polypropylene pipe plug	10103	2	2
7	J560 type socket	10119 (was FT9029)	1	1
8	aluminum face plate	10120	1	1
9	neoprene gasket	10121	1	1
10	aluminum name plate - optic	10235	1	1
11	terminal pin	10123	7	7
12	stainless steel carriage bolt	10507SS	2	2
13	stainless steel nut	10508SS	2	2
14	wiring harness (Plug-n-Play) 20 ft.	10387P-20	1	n/a
15	plastic clip	10605PL	1	n/a

Repair Kits

Part #	Description	Includes Item #
FT316	face plate assembly- Optic J560 socket	2 - 13

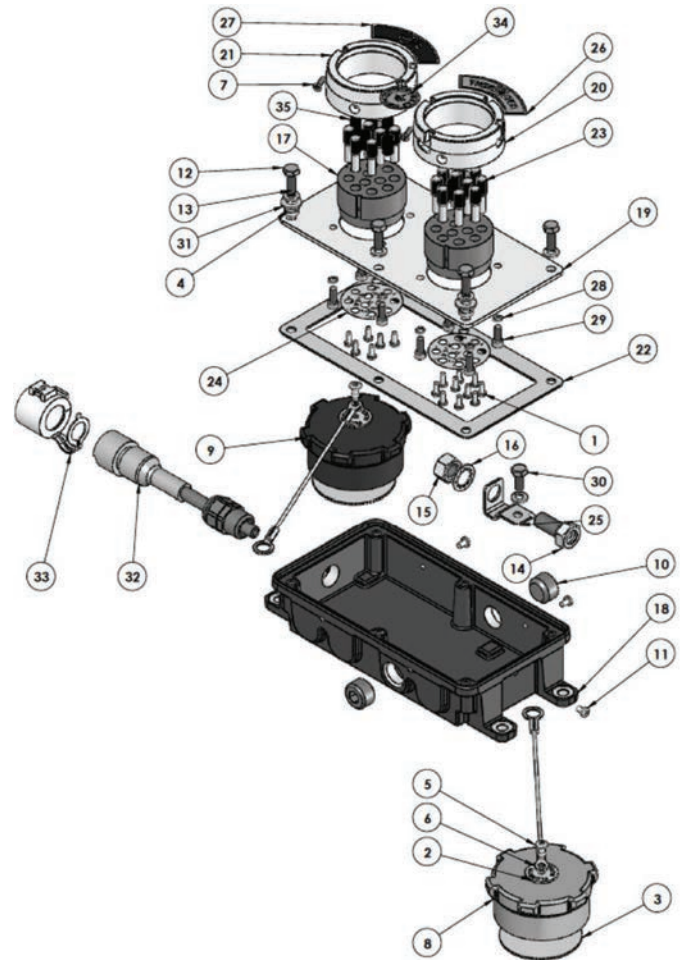
Overfill Replacement Parts

Fuel Tanker Overfill Detection

Plug-n-Play Stand Alone Sockets FT390PG-20

Bill of Materials

Item #	Description	Part #	Qty
1	stainless steel screw	10086	16
2	aluminum name plate - socket washer	use kit FT320 or FT321	2
3	aluminum washer 2.500 x .0625	use kit FT320 or FT321	2
4	stainless steel spacer	10089	2
5	aluminum rivet .1875	use kit FT320 or FT321	2
6	stainless steel cable - socket 8"	use kit FT320 or FT321	2
7	stainless steel screw - contact block	10094	2
8	vinyl dust cap - green	use kit FT321	1
9	vinyl dust cap - blue	use kit FT320	1
10	polypropylene pipe plug	10103	2
11	steel screw - plug	10105	3
12	stainless steel screw	10110	6
13	stainless steel lock washer - 1/4"	10111	7
14	stainless steel ground bolt	10223	1
15	stainless steel nut - ground bolt 1/2"-13	10224	1
16	stainless steel lock washer internal tooth	10225	1
17	plastic contact block - socket short	10254	2
18	aluminum box - dual socket	10364AL-001	1
19	aluminum faceplate - dual socket	10365AL	1
20	stainless steel socket - thermistor	10366SS-001	1
21	stainless steel socket - optic	10366SS-002	1
22	cork gasket - lid	10367CK	1
23	stainless steel socket pin - short	10368SS (was FT9061)	16
24	vinyl label - socket contact	10369VY	2
25	stainless steel bracket - ground bolt	10370SS	1
26	aluminum name plate - thermistor	10373AL	1
27	aluminum name plate - optic	10374AL	1
28	stainless steel lock washer	10375SS	8
29	stainless steel screw	10376SS	8
30	stainless steel screw	10377SS	1
31	stainless steel washer	10382SS	2
32	wiring harness (Plug-n-Play) 20 ft.	10387P-20	1
33	plastic clip	10605PL	1
34	aluminum label - ground bolt	10621AL	1
35	plastic black button insert	BLACK BUTTON INSERT	6



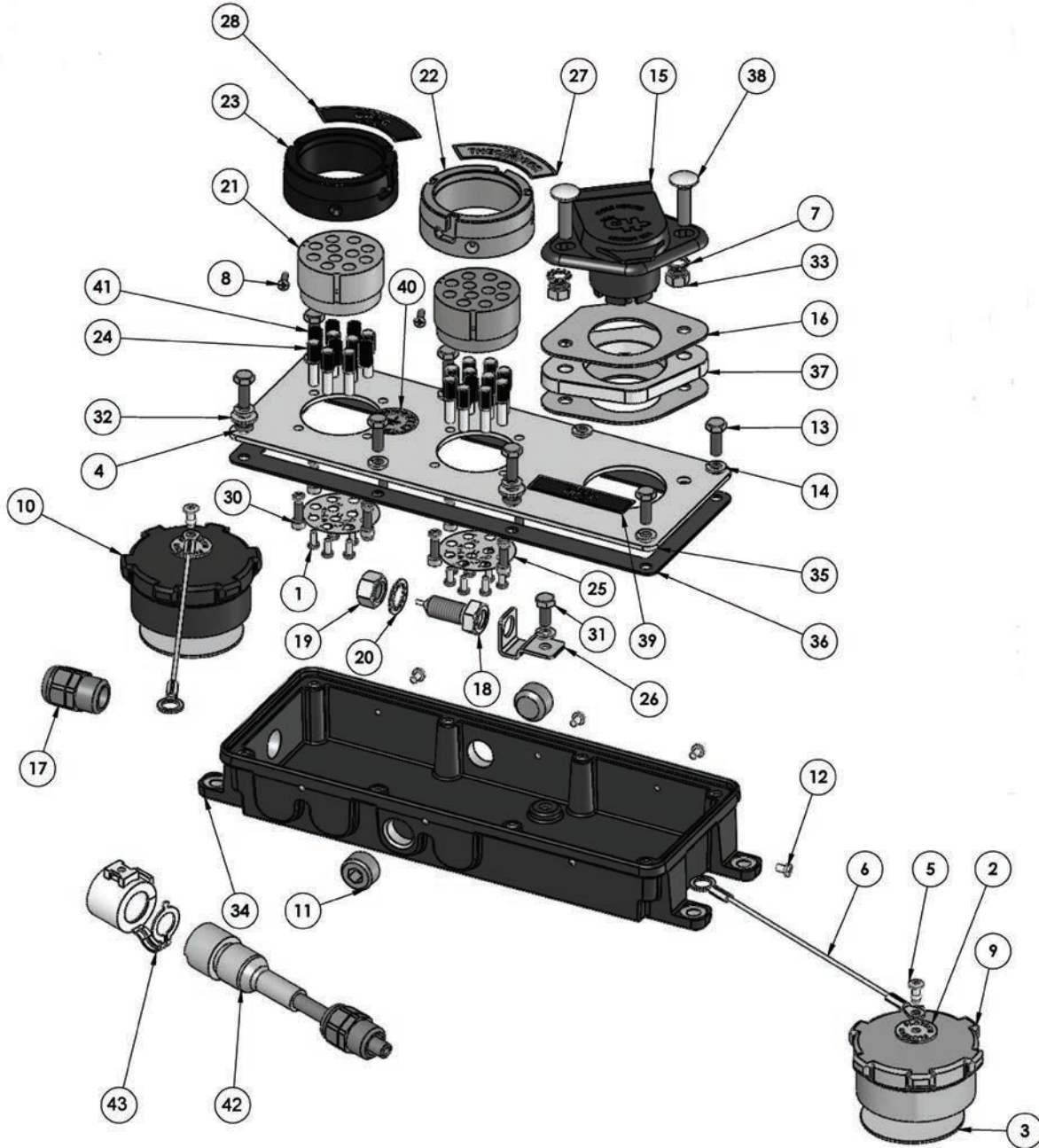
Repair Kits

Part #	Description	Includes Item #
FT320	replacement blue (optic) vinyl cap assembly	2, 3, 5, 6, 9
FT321	replacement green (thermistor) vinyl cap assembly	2, 3, 5, 6, 8
FT9051	replacement contact block assembly for FT390/FT393 Optic 6 pin	1, 7, 17, 23, 24
FT9052	replacement contact block assembly for FT390/FT393 Thermistor 10 pin	1, 7, 17, 23, 24
FT9062	replacement nose ring, contact assembly, Thermistor 4J slot, 10 pin	1, 7, 17, 20, 23, 24
FT9063	replacement nose ring, contact assembly, Optic 3J slot, 6 pin	1, 7, 17, 21, 23, 24
FT9068	replacement contact block attachment screws and washers (4 each)	28, 29

Replacement Parts
Overfill

Fuel Tanker Overfill Detection

Plug-n-Play Stand Alone Sockets FT394P & FT395P Series



Overfill
Replacement Parts

Repair Kits

Part #	Description	Includes Item #
FT320	replacement blue (optic) vinyl cap assembly	2, 3, 5, 6, 10
FT321	replacement green (thermistor) vinyl cap assembly	2, 3, 5, 6, 9
FT9051	replacement contact block assembly for FT390/FT393 Optic 6 pin	1, 8, 21, 24, 25
FT9052	replacement contact block assembly for FT390/FT393 Thermistor 10 pin	1, 8, 21, 24, 25
FT9062	replacement nose ring contact assembly, Thermistor 4J slot, 10 pin	1, 8, 21, 22, 24, 25
FT9063	replacement nose ring contact assembly, Optic 3J slot, 6 pin	1, 8, 21, 23, 24, 25
FT9068	replacement contact block attachment screws and washers (4 each)	29, 30

Fuel Tanker Overfill Detection

Plug-n-Play Stand Alone Sockets FT394P & FT395P Series

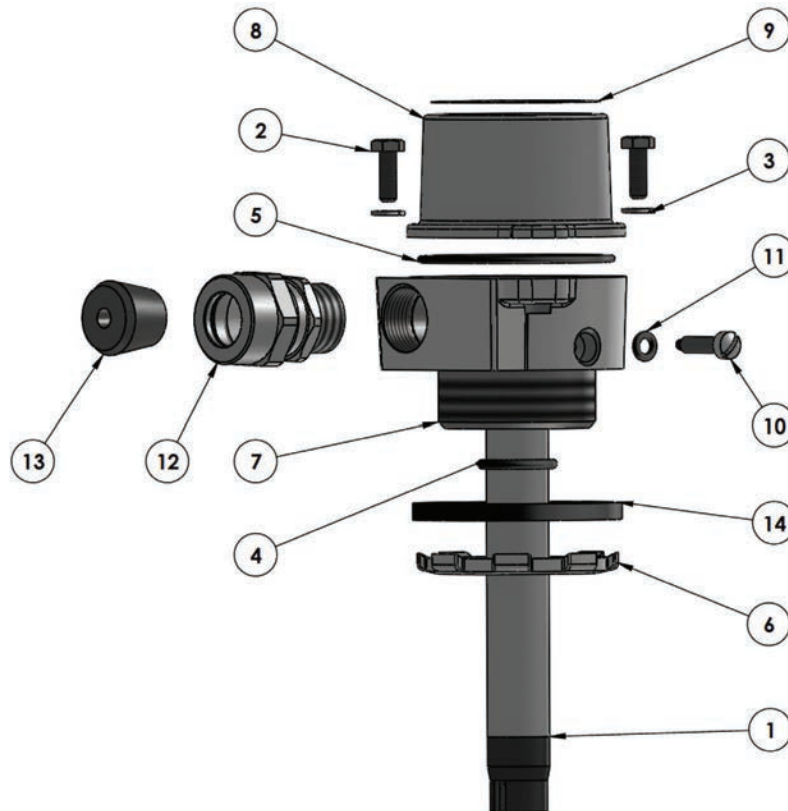
Bill of Materials

Item #	Description	Part #	FT394P	FT394VP	FT394PG	FT394VPG	FT395PG-20
1	stainless steel screw	10086	16	16	16	16	16
2	aluminum name plate - socket washer	10087	2	2	2	2	2
3	aluminum washer 2.500 x .0625	use kit FT320 or FT321	2	2	2	2	2
4	stainless steel spacer	use kit FT320 or FT321	2	2	2	2	2
5	aluminum rivet .1875	use kit FT320 or FT321	2	2	2	2	2
6	stainless steel cable - socket 8"	use kit FT320 or FT321	2	2	2	2	2
7	stainless steel lock washer	10092	2	2	2	2	2
8	stainless steel screw - contact block	10094	2	2	2	2	2
9	vinyl dust cap - thermistor (green)	use kit FT321	1	1	1	1	1
10	vinyl dust cap - optic (blue)	use kit FT320	1	1	1	1	1
11	polypropylene pipe plug	10103	2	2	2	2	2
12	steel screw - plug	10105	4	4	4	4	4
13	stainless steel screw	10110	8	8	8	8	8
14	stainless steel lock washer - 1/4"	10111	9	9	9	9	9
15	J560 socket	10119 (was FT9029)	1	1	1	1	1
16	neoprene gasket, float socket	10121	2	2	2	2	2
17	polyamide strain relief	10139	1	1	1	1	1
18	stainless steel ground bolt	10223	n/a	n/a	1	1	n/a
19	stainless steel nut - ground bolt 1/2"- 13	10224	n/a	n/a	1	1	n/a
20	stainless steel lock washer internal tooth	10225	n/a	n/a	1	1	n/a
21	plastic contact block - socket short	10254	2	2	2	2	2
22	stainless steel wear ring - 4 J Slot	10366SS-001 (was FT9044)	1	1	1	1	2
23	stainless steel wear ring - 3 J Slot	10366SS-002 (was FT9043)	1	1	1	1	n/a
24	stainless steel socket pin - short	10368SS (was FT9061)	16	16	16	16	16
25	vinyl label - socket contact	10369VY	2	2	2	2	2
26	stainless steel bracket - ground bolt	10370SS	1	1	1	1	1
27	aluminum name plate - thermistor	10373AL	1	1	1	1	1
28	aluminum name plate - optic	10374AL	1	1	1	1	1
29	stainless steel lock washer	10375SS	8	8	8	8	8
30	stainless steel screw	10376SS	8	8	8	8	8
31	stainless steel screw	10377SS	1	1	1	1	1
32	stainless steel washer	10382SS	2	2	2	2	2
33	stainless steel nut	10508SS	2	2	2	2	2
34	aluminum box - 3 socket	10525AL	1	1	1	1	1
35	aluminum faceplate - three socket	10526AL	1	1	1	1	1
36	cork gasket - lid	10527CK	1	1	1	1	1
37	acetal spacer	10529AC	1	1	1	1	1
38	stainless steel carriage bolt	10530SS	2	2	2	2	2
39	aluminum name plate - optic (blue)	10558AL	1	1	1	1	1
40	aluminum label - ground bolt	10621AL	n/a	n/a	1	1	n/a
41	plastic black button insert	BLACK BUTTON INSERT	6	6	6	6	6
42	wiring harness (Plug-n-Play) 20 ft.	10387P-20	1	1	1	1	1
43	plastic clip	10605PL	1	1	1	1	1

Replacement Parts
Overfill

Fuel Tanker Overfill Detection

Plug-n-Play Sensors FT151P Series, Overfill Sensor Housings



Bill of Materials

Item #	Description	Part #	Qty
1	Plug-n-Play probe	See repair kits	1
2	stainless steel screw	10110	2
3	stainless steel lock washer - 1/4"	10111	2
4	FKM O-ring	10125 (was FT9027)	1
5	Buna O-ring	10126 (was FT9049)	1
6	steel locknut	10128 (was FT9012)	1
7	aluminum sensor housing	10183-P&P	1
8	aluminum sensor housing cap	10185	1
9	mylar label	10204	1
10	stainless steel screw with nylon insert	10212	1
11	Buna-N O-ring	10213	1
12	cord grip assembly	10248	1
13	rubber bushing	10638	1
14	Buna-N gasket	250-G-BU (was FT9026)	1

Repair Kits

Part #	Description	Includes Item #
FT150P	replacement Plug-n-Play overfill detection probe. - 7"	1
FT150-12P	replacement Plug-n-Play overfill detection probe. - 12"	1
FT150-18P	replacement Plug-n-Play overfill detection probe. - 18"	1
FT9000P	complete replacement Plug-n-Play sensor housing (without probe)	2-14
FT9001	sensor housing gasket & O-ring kit	5, 6, 7, 13
FT9011	sensor housing cap with screws & lock washers	2, 3, 8

Overfill
Replacement Parts

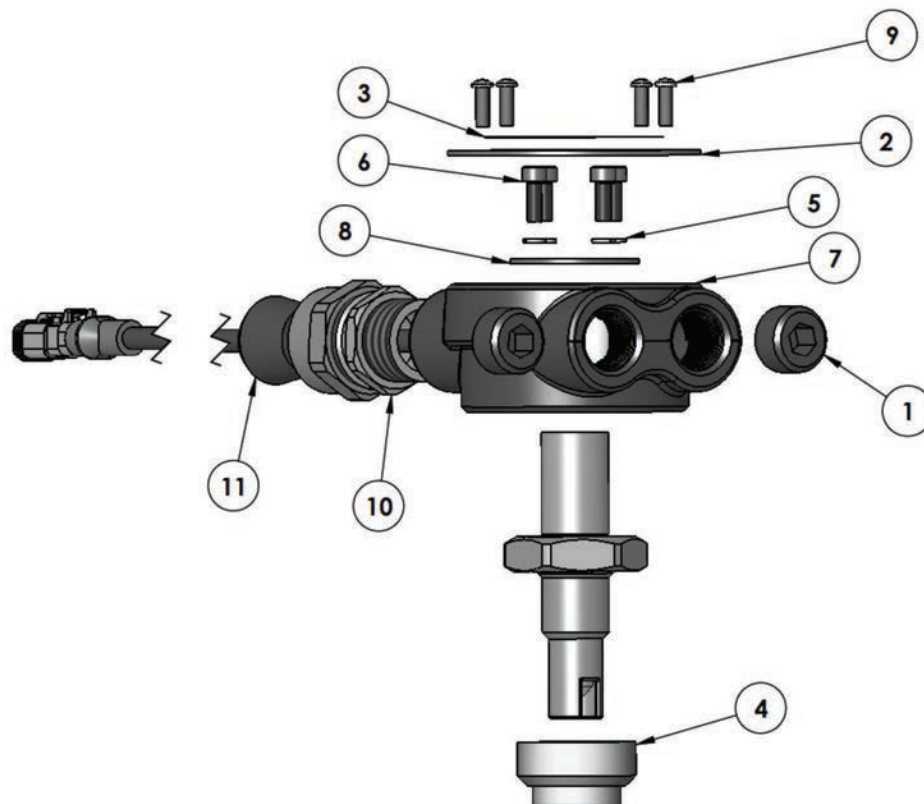
GOODYEAR
GOODYEARBELTING.COM

Call Toll Free: 1-866-711-4673
International: +1-727-342-5086

**We Ship
World Wide**

Fuel Tanker Overfill Detection

Plug-n-Play Sensors FT152P Retain Sensor Housings



Bill of Materials

Item #	Description	Part #	Qty
1	polypropylene pipe plug	10103	2
2	aluminum retain sensor lid	10134	1
3	mylar label - retain sensor	10343	1
4	aluminum threaded collar	10347 (was FT9050)	1
5	stainless steel lock washer	10375SS	4
6	stainless steel screw	10376SS	4
7	nylon retain sensor housing	10471NY-P&P	1
8	aluminum back-up plate	10476AL	1
9	stainless steel screw	10477SS	4
10	aluminum cord grip assembly	10248	1
11	rubber bushing	10638	1

Repair Kits

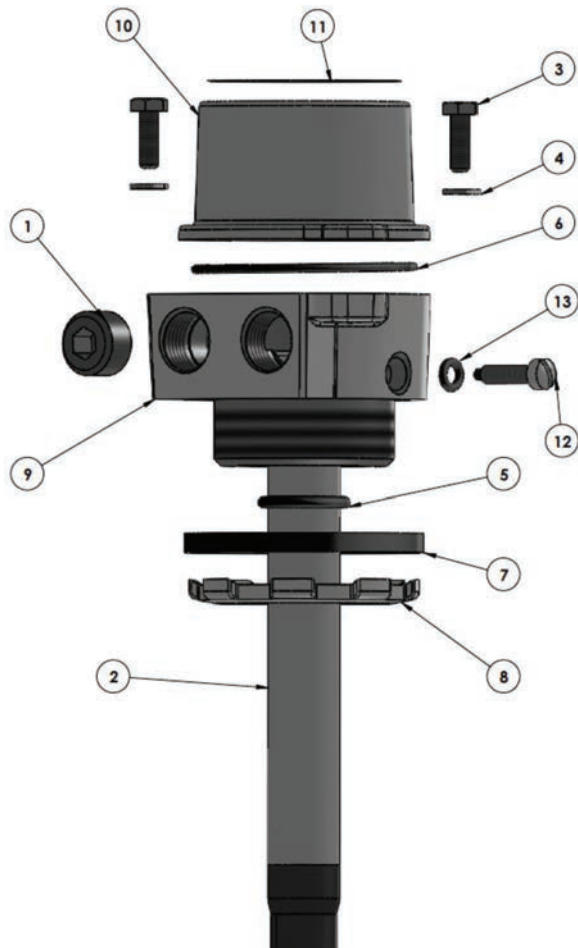
Part #	Description	Includes Item #
FT9068	replacement contact block attachment screws and washers (4 each)	5,6

Note: Probe is not replaceable, if probe needs replacing a complete FT152P needs to be ordered.

Replacement Parts
Overfill

Fuel Tanker Overfill Detection

FT101, FT151 & FT202 Series **Overfill Sensor Housings**



Bill of Materials

Item #	Description	Part #	Qty
1	polypropylene pipe plug	10103	1
2	probe	see repair kits	1
3	stainless steel screw	10110	2
4	stainless steel lock washer, 1/4"	10111	2
5	FKM O-ring	10125 (was FT9027)	1
6	Buna O-ring	10126 (was FT9049)	1
7	Buna-n gasket	250-G-BU (was FT9026)	1
8	steel lock nut	10128 (was FT9012)	1
9	aluminum sensor housing	10183 (was FT9033)	1
10	aluminum sensor housing cap	10185	1
11	mylar label - overfill sensor	10203	1
12	stainless steel screw with nylon insert	10212	1
13	Buna-N O-ring	10213	1

Repair Kits

Part #	Description	Includes Item #
FT100	replacement 5 wire overfill detection probe, 7"	2
FT100-12	replacement 5 wire overfill detection probe, 12"	2
FT100-18	replacement 5 wire overfill detection probe, 18"	2
FT150	replacement black & white 2 wire overfill detection probe, 7"	2
FT150-12	replacement black & white 2 wire overfill detection probe, 12"	2
FT150-18	replacement black & white 2 wire overfill detection probe, 18"	2
FT201	replacement red & black 2 wire overfill detection probe, 7"	2
FT201-12	replacement red & black 2 wire overfill detection probe, 12"	2
FT201-18	replacement red & black 2 wire overfill detection probe, 18"	2
FT9000	complete replacement sensor housing (without probe)	1, 3-13
FT9001	sensor housing gasket & O-ring kit	5-7, 13
FT9002	sensor housing gasket, O-ring & hardware kit	1, 3-8, 12, 13
FT9011	sensor housing cap with screws & lock washers	3, 4, 10

Fuel Tanker Overfill Detection

FT152 & FT206 Retain Sensor Housings

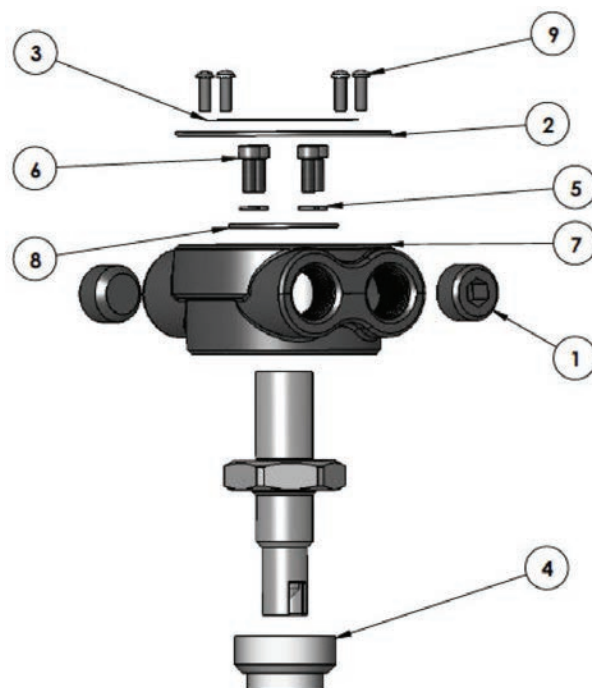
Bill of Materials

Item #	Description	Part #	Qty
1	polypropylene pipe plug	10103	2
2	aluminum retain sensor lid	10134	1
3	mylar label - retain sensor	10343	1
4	aluminum threaded collar	10347 (was FT9050)	1
5	stainless steel lockwasher	10375SS	4
6	stainless steel screw	10376SS	4
7	nylon retain sensor housing	10471NY	1
8	aluminum back-up plate	10476AL	1
9	stainless steel screw	10477SS	4

Repair Kits

Part #	Description	Includes Item #
FT9055	replacement hardware kit	2, 3
FT9068	replacement contact block attachment screws and washers (4 each)	5, 6

Note: probe is not replaceable.



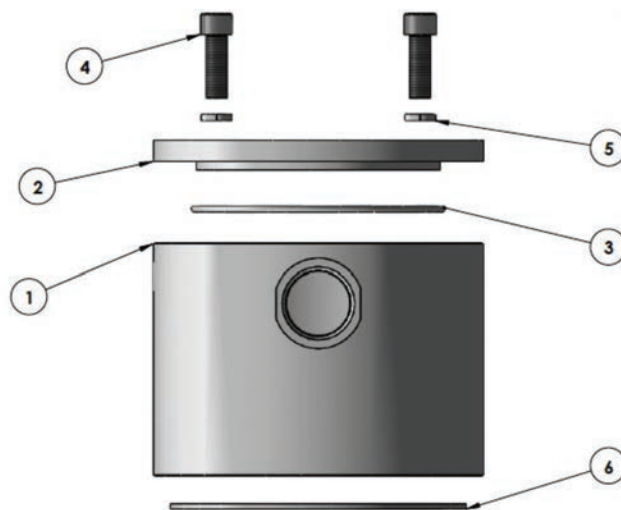
FT191S Overfill Sensor Housing

Bill of Materials

Item #	Description	Part #	Qty
1	3" stainless steel NPSM housing	10540SS	1
2	aluminum housing lid	10541AL	1
3	Buna-N O-ring	10542BN	1
4	stainless steel screw	10554SS	4
5	stainless steel lock washer	40099SS	4
6	PTFE gasket	40190TF	1

Stainless Steel Probes

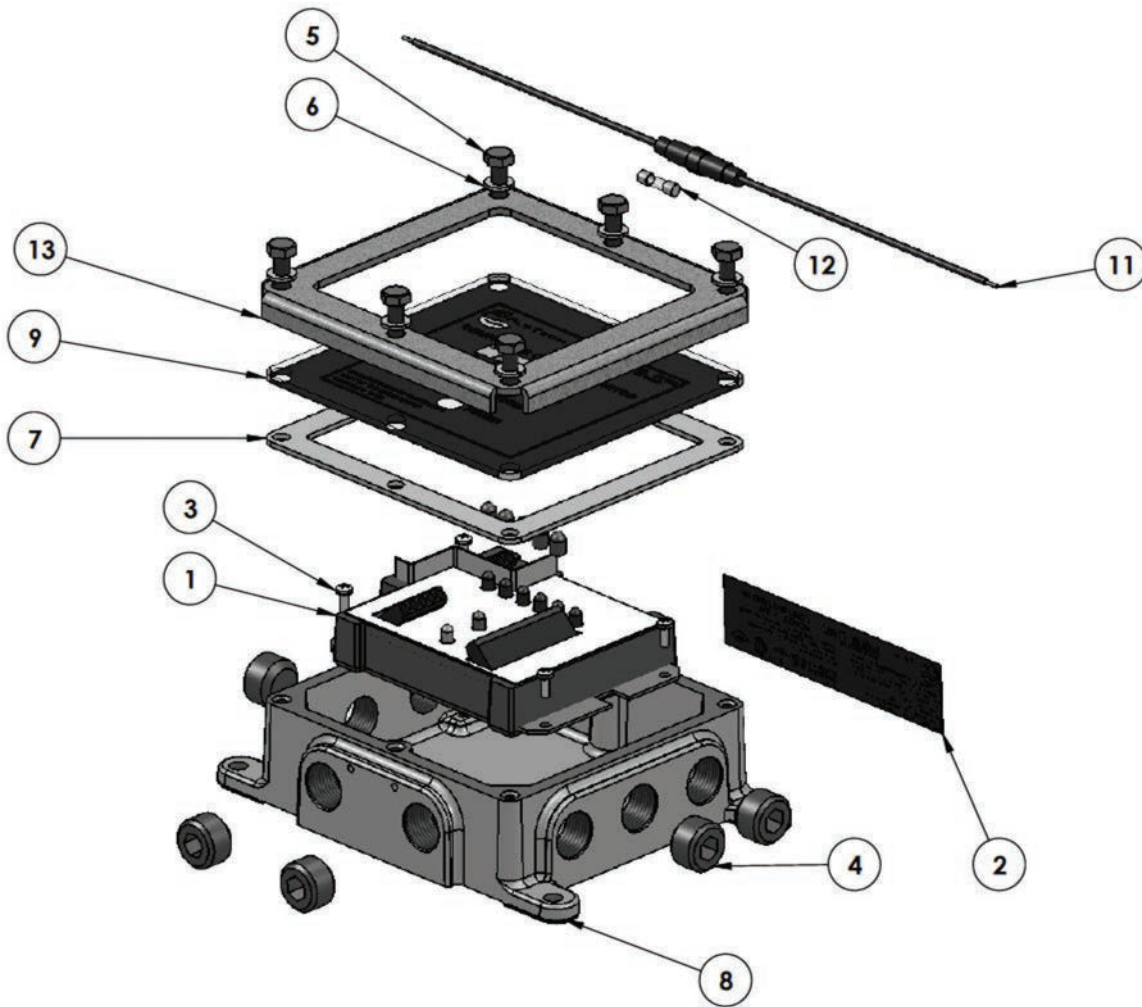
Part #	Description
FT100S	5 wire overfill detection, 316 stainless steel probe only 7"
FT150S	black & white 2 wire overfill detection, 316 stainless steel probe only 7"



Overfill
Replacement Parts

Fuel Tanker Overfill Detection

FT102/FT103 5 Wire, API Optic On-Board Monitor



Bill of Materials

Item #	Description	Part #	FT102	FT103
1	5 wire onboard monitor assembly	10077	1	1
2	chrome mylar label	10079	n/a	1
3	stainless steel screw	10086	4	4
4	polypropylene pipe plug	10103	n/a	5
5	stainless steel screw	10110	6	6
6	stainless steel lockwasher - 1/4"	10111	6	6
7	neoprene gasket	10131 (was FT9053)	1	1
8	aluminum onboard monitor housing	10136	n/a	1
9	acrylic bezel	10142 (was FT9005)	1	1
10	PVC L.E.D. cover	10207	5	5
11	plastic fuse holder	10356	1	1
12	brass/glass fuse - 1/4 amp	10357 (was FT9039)	1	1
13	aluminum frame lid	10470AL	1	1

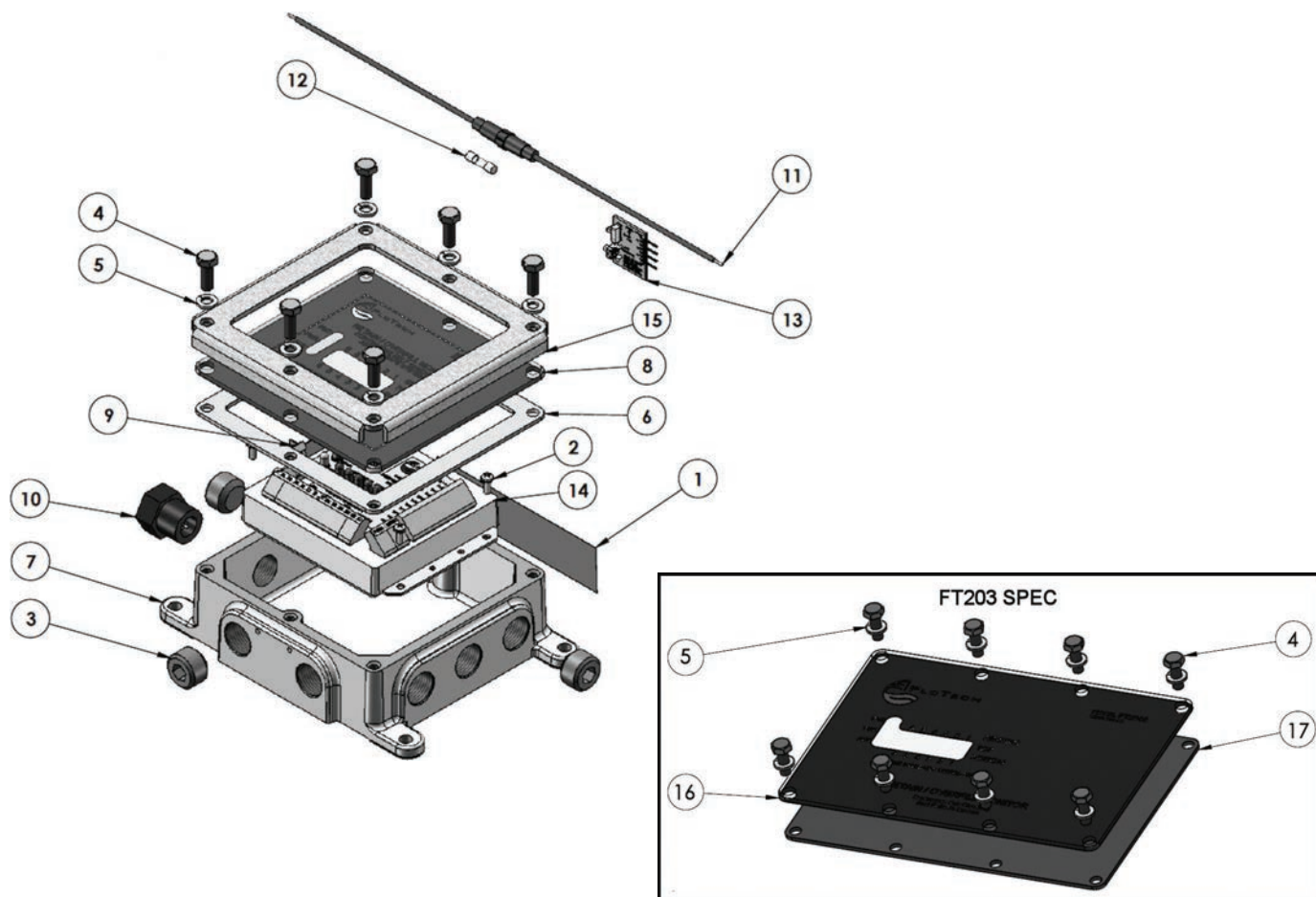
Repair Kits

Part #	Description	Includes Item #
FT9003	replacement monitor housing	3-10, 13
FT9004	replacement monitor hardware kit	5, 6, 7, 9, 13
FT9030	replacement fuse holder with 1/4 amp fuse	11, 12

Overfill Replacement Parts

Fuel Tanker Overfill Detection

FT203/FT204 Series R/OM Type Red & Black 2 Wire, Onboard Monitor



Bill of Materials

Item #	Description	Part #	FT203P	FT203SPEC	FT204P
1	chrome mylar label	10078	n/a	n/a	1
2	stainless steel screw	10086	4	4	4
3	polypropylene pipe plug	10103	n/a	n/a	3
4	stainless steel screw	10110	6	8	6
5	stainless steel lock washer - 1/4"	10111	6	8	6
6	neoprene gasket	10131 (was FT9053)	1	n/a	1
7	aluminum onboard monitor housing	10136	n/a	n/a	1
8	acrylic bezel	10143 (was FT9006)	1	n/a	1
9	jumper - cross connector	10196	1	1	1
10	reset switch assembly	10200A	n/a	n/a	1
11	plastic fuse holder	10356	1	1	1
12	brass/glass fuse - 1/2 amp	10358 (was FT9039)	1	1	1
13	programming board assembly	10459 (was FT9035)	1	1	1
14	OBM assy potted	10460	1	1	1
15	aluminum frame lid	10470AL (was FT9054)	1	n/a	1
16	bezel for Civacon 3250 & 3252 boxes	10520PL	n/a	1	n/a
17	neoprene gasket for 10520PL	10521NP (was FT9065)	n/a	1	n/a

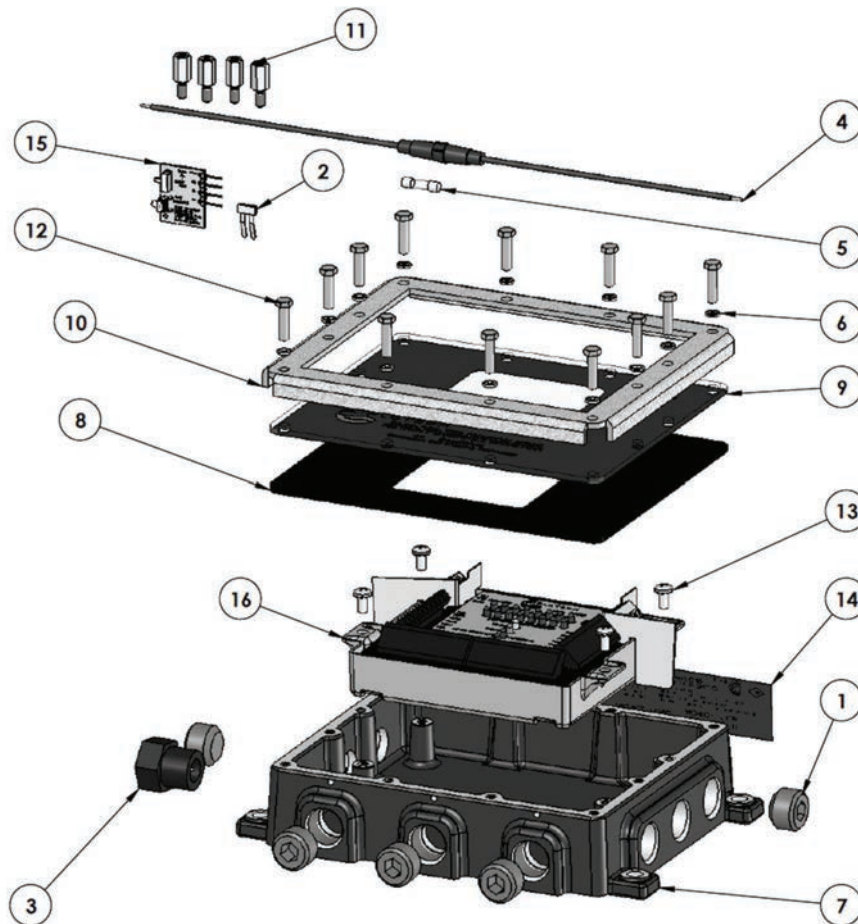
Repair Kits

Part #	Description	Includes Item #
FT9003	replacement monitor housing	2-8, 15
FT9004	replacement monitor hardware kit	4-6, 8, 15
FT9031	replacement fuse holder with 1/2 amp fuse	11, 12
FT9059	replacement faceplate and bezel for FT204P	4, 5, 6, 8, 15
FT9064	replacement gasket and bezel for FT203 SPEC	16, 17

Replacement Parts
Overfill

Fuel Tanker Overfill Detection

FT207/FT208 Series Checkmate Black & White 2 Wire, Programmable Onboard Monitor



Bill of Materials

Item #	Description	Part #	FT207	FT208
1	polypropylene pipe plug	10103	n/a	5
2	jumper - cross connector	10196	1	1
3	reset switch assembly	10200A	n/a	1
4	plastic fuse holder	10356	1	1
5	brass/glass fuse - 1/2 amp	10358 (was FT9039)	1	5
6	stainless steel lock washer	10375SS	12	12
7	aluminum box	10430AL	n/a	1
8	neoprene gasket	10432NP (was FT9045)	1	1
9	acrylic bezel	10433PL (was FT9036)	1	1
10	aluminum frame	10434AL	1	1
11	aluminum standoff (Only used in older units)	10435AL	n/a	4
12	stainless steel screw	10436SS	12	12
13	stainless steel screw - stems	10437SS	4	4
14	chrome mylar label	10438A	n/a	1
15	programming board assembly	10459 (was FT9035)	1	1
16	potted OBM	10465	1	1

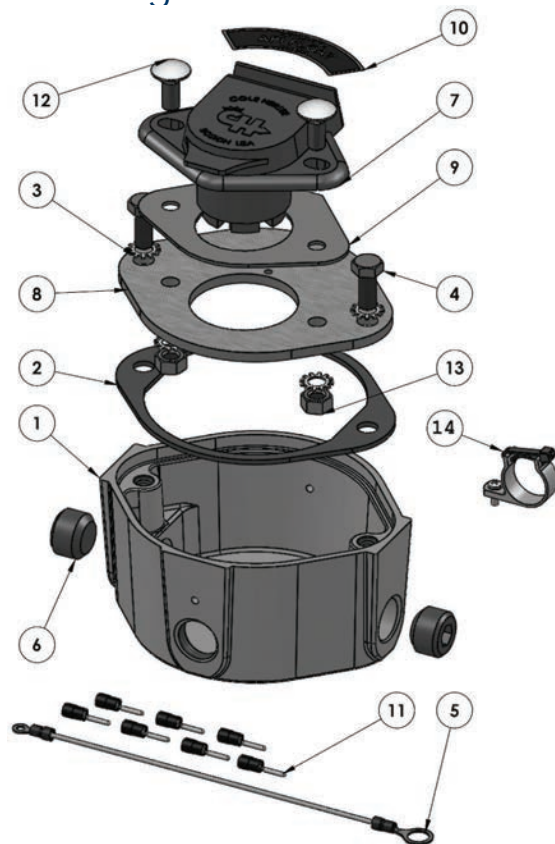
Repair Kits

Part #	Description	Includes Item #
FT9031	replacement fuse holder with 1/2 amp fuse	11, 12
FT9036	replacement lid, bezel, screws & lockwashers	6, 8, 9, 10, 12
FT9040	replacement Checkmate housing with lid	1, 6-13

Overfill Replacement Parts

Fuel Tanker Overfill Detection

Single J560 Sockets



Bill of Materials

Item #	Description	Part #	FT302	FT305	FT306	FT312	FT315	FT316
1	aluminum housing	10031 (was FT9007)	1	1	1	n/a	n/a	n/a
2	neoprene gasket	10038 (was FT9032)	1	1	1	1	1	1
3	stainless steel lock washer	10092	4	4	4	4	4	4
4	stainless steel screw	10093	2	2	2	2	2	2
5	wire, assembly, socket	10095	1	1	1	1	1	1
6	polypropylene pipe plug	10103	2	2	2	2	2	2
7	J560 type socket	10119 (was FT9029)	1	1	1	1	1	1
8	aluminum face plate	10120	1	1	1	1	1	1
9	neoprene gasket	10121	1	1	1	1	1	1
10A	aluminum name plate - float	10122	1	n/a	n/a	n/a	n/a	n/a
10B	aluminum name plate - optic	10235	n/a	n/a	1	n/a	1	1
10C	aluminum name plate - thermistor	10244	n/a	1	n/a	n/a	n/a	n/a
11	terminal pin	10123	7	7	7	7	7	7
12	stainless steel carriage bolt	10507SS	2	2	2	2	2	2
13	stainless steel nut	10508SS	2	2	2	2	2	2
14	nylon clamp assembly	10264	n/a	1	n/a	n/a	1	n/a

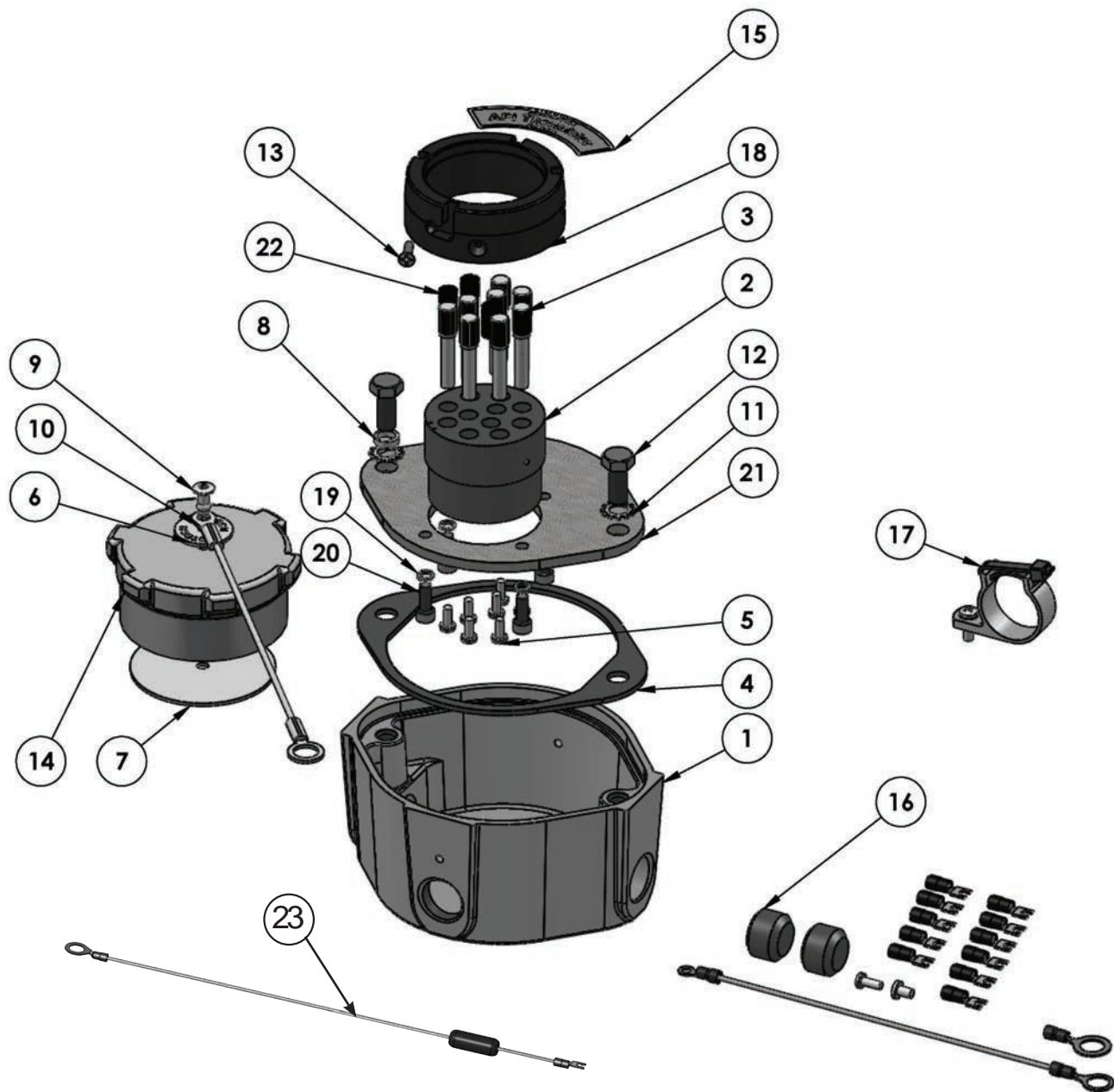
Repair Kits

Part #	Description	Includes Item #
FT312	face plate assembly- API float J560 socket	2 - 14
FT315	face plate assembly- Thermistor J560 socket	2 - 14
FT316	face plate assembly- Optic J560 socket	2 - 14

Replacement Parts
Overfill

Fuel Tanker Overfill Detection

FT30x Series Single J Slot Sockets



Overfill
Replacement Parts

Fuel Tanker Overfill Detection

FT30x Series Single J Slot Sockets

Bill of Materials

Item #	Description	Part #	FT300	FT300SS	FT300GW	FT301	FT301SS	FT303	FT303SS	FT304	FT304SS	FT307	FT307SS	FT310	FT310SS	FT311	FT311SS	FT313	FT313SS	FT314	FT314SS	FT317	FT317SS
1	aluminum housing	10031 (was FT9007)	1	1	1	1	1	1	1	1	1	1	1	n/a	n/a	n/a	n/a	n/a	n/a	n/a	n/a	n/a	n/a
2	plastic contact block	10690PL-001	1	1	1	1	1	1	1	1	1	1	1	1	1	1	1	1	1	1	1	1	1
3	stainless steel socket pin	10368SS	6	6	6	8	8	6	6	10	10	6	6	6	6	8	8	6	6	10	10	6	6
4	neoprene gasket	10038 (was FT9032)	1	1	1	1	1	1	1	1	1	1	1	1	1	1	1	1	1	1	1	1	1
5	stainless steel screw	10086	6	6	6	8	8	6	6	10	10	6	6	6	6	8	8	6	6	10	10	6	6
6	aluminum name plate - socket washer	Use cap kit FT320 or FT321	1	1	1	1	1	1	1	1	1	1	1	1	1	1	1	1	1	1	1	1	1
7	aluminum washer 2.500 x .0625	Use cap kit FT320 or FT321	1	1	1	1	1	1	1	1	1	1	1	1	1	1	1	1	1	1	1	1	1
8	stainless steel spacer	10089	1	1	1	1	1	1	1	1	1	1	1	1	1	1	1	1	1	1	1	1	1
9	aluminum rivet .1875	Use cap kit FT320 or FT321	1	1	1	1	1	1	1	1	1	1	1	1	1	1	1	1	1	1	1	1	1
10	stainless steel cable - socket 8"	Use cap kit FT320 or FT321	1	1	1	1	1	1	1	1	1	1	1	1	1	1	1	1	1	1	1	1	1
11	stainless steel lock washer	10092	2	2	2	2	2	2	2	2	2	2	2	2	2	2	2	2	2	2	2	2	2
12	stainless steel screw	10093	2	2	2	2	2	2	2	2	2	2	2	2	2	2	2	2	2	2	2	2	2
13	stainless steel screw - contact block	10094	1	1	1	1	1	1	1	1	1	1	1	1	1	1	1	1	1	1	1	1	1
14A	vinyl dust cap - thermistor (green)	Use cap kit FT321	n/a	n/a	n/a	1	1	n/a	n/a	1	1	n/a	n/a	n/a	n/a	1	1	n/a	n/a	1	1	n/a	n/a
14B	vinyl dust cap - optic (blue)	Use cap kit FT320	1	1	1	n/a	n/a	1	1	n/a	n/a	1	1	1	1	n/a	n/a	1	1	n/a	n/a	1	1
15A	aluminum name plate - FT300	10099	1	1	n/a	n/a	n/a	n/a	n/a	n/a	n/a	n/a	n/a	1	1	n/a	n/a	n/a	n/a	n/a	n/a	n/a	n/a
15B	aluminum name plate - FT301	10100	n/a	n/a	n/a	1	1	n/a	n/a	n/a	n/a	n/a	n/a	n/a	n/a	1	1	n/a	n/a	n/a	n/a	n/a	n/a
15C	aluminum name plate - FT303	10228	n/a	n/a	n/a	n/a	n/a	1	1	n/a	n/a	n/a	n/a	n/a	n/a	n/a	1	1	n/a	n/a	n/a	n/a	n/a
15D	aluminum name plate - FT304	10101	n/a	n/a	n/a	n/a	n/a	n/a	n/a	1	1	n/a	n/a	n/a	n/a	n/a	n/a	n/a	n/a	1	1	n/a	n/a
15E	aluminum name plate - FT307	10283	n/a	n/a	n/a	n/a	n/a	n/a	n/a	n/a	n/a	1	1	n/a	n/a	n/a	n/a	n/a	n/a	n/a	n/a	n/a	1
15F	aluminum name plate-FT300GW	10099-002	n/a	n/a	1	n/a	n/a	n/a	n/a	n/a	n/a	n/a	n/a	n/a	n/a	n/a	n/a	n/a	n/a	n/a	n/a	n/a	n/a
16	assembly hardware	10106	1	1	1	1	1	1	1	1	1	1	1	1	1	1	1	1	1	1	1	1	1
17	nylon clamp assembly	10264	n/a	n/a	n/a	1	1	n/a	n/a	1	1	n/a	n/a	n/a	n/a	1	1	n/a	n/a	1	1	n/a	n/a
18A	ALH wear ring - 4 J slots	10366HC-001 (was FT9042)	n/a	n/a	n/a	1	n/a	1	n/a	1	n/a	1	n/a	n/a	n/a	1	n/a	1	n/a	1	n/a	1	n/a
18B	ALH wear ring - 3 J slots	10366HC-002 (was FT9041)	1	n/a	1	n/a	n/a	n/a	n/a	n/a	n/a	n/a	n/a	1	n/a	n/a	n/a	n/a	n/a	n/a	n/a	n/a	n/a
18C	stainless steel wear ring - 4 J slots	10366SS-001 (was FT9043)	n/a	n/a	n/a	n/a	1	n/a	1	n/a	1	n/a	1	n/a	n/a	n/a	1	n/a	1	n/a	1	n/a	1
18D	stainless steel wear ring - 3 J slots	10366SS-002 (was FT9044)	n/a	1	n/a	n/a	n/a	n/a	n/a	n/a	n/a	n/a	n/a	n/a	1	n/a	n/a	n/a	n/a	n/a	n/a	n/a	n/a
19	stainless steel lock washer	10375SS	4	4	4	4	4	4	4	4	4	4	4	4	4	4	4	4	4	4	4	4	4
20	stainless steel screw	10376SS	4	4	4	4	4	4	4	4	4	4	4	4	4	4	4	4	4	4	4	4	4
21	aluminum socket plate	10431AL	1	1	1	1	1	1	1	1	1	1	1	1	1	1	1	1	1	1	1	1	1
22	plastic black button insert	BLACK BUTTON INSERT	6	6	6	6	6	6	6	6	6	6	6	6	6	6	6	6	6	6	6	6	6
23	ground wire assembly	10735	n/a	n/a	1	n/a	n/a	n/a	n/a	n/a	n/a	n/a	n/a	n/a	n/a	n/a	n/a	n/a	n/a	n/a	n/a	n/a	n/a

Repair Kits

Part #	Description	Includes Item #
FT320	replacement blue (optic) vinyl cap assembly	6, 7, 9, 10, 14B
FT321	replacement green (thermistor) vinyl cap assembly	6, 7, 9, 10, 14A
FT310	face plate assembly - API optic ALH wear ring 6 pin 3 J Slots (US)	2 - 16, 18 - 22
FT310SS	face plate assembly - API optic SS GFL wear ring 6 pin 3 J Slots (US)	2 - 16, 18 - 22
FT311	face plate assembly - API Thermistor ALH wear ring 8 pin 4 J Slots (US)	2 - 22
FT311SS	face plate assembly - API Thermistor SS GFL wear ring 8 pin 4 J Slots (US)	2 - 22
FT313	face plate assembly - optic ALH wear ring 6 pin 4 J Slots (US)	2 - 16, 18 - 22
FT313SS	face plate assembly - optic SS GFL wear ring 6 pin 4 J Slots (US)	2 - 16, 18 - 22
FT314	face plate assembly - Thermistor ALH wear ring 10 pin 4 J Slots (Canada)	2 - 22
FT314SS	face plate assembly - Thermistor SS GFL wear ring 10 pin 4 J Slots (Canada)	2 - 22
FT317	face plate assembly - optic ALH wear ring 6 pin 4 J Slots (Canada)	2 - 16, 18 - 22
FT317SS	face plate assembly - optic SS GFL wear ring 6 pin 4 J Slots (Canada)	2 - 16, 18 - 22
FT9008	replacement contact block for FT300 Optic	2, 3, 5, 13
FT9009	replacement contact block for FT301 Thermistor	2, 3, 5, 13
FT9010	replacement contact block for FT304 10 pin Thermistor	2, 3, 5, 13
FT9013	replacement faceplate 4 J slot (no contact block or hardware)	4, 15B, 18A, 1921
FT9020	replacement socket pin, screw & crimp lug	3, 5
FT9024	replacement faceplate 2 J slot (without contact block and hardware)	4, 15A, 18B, 1924

Replacement Parts Overfill

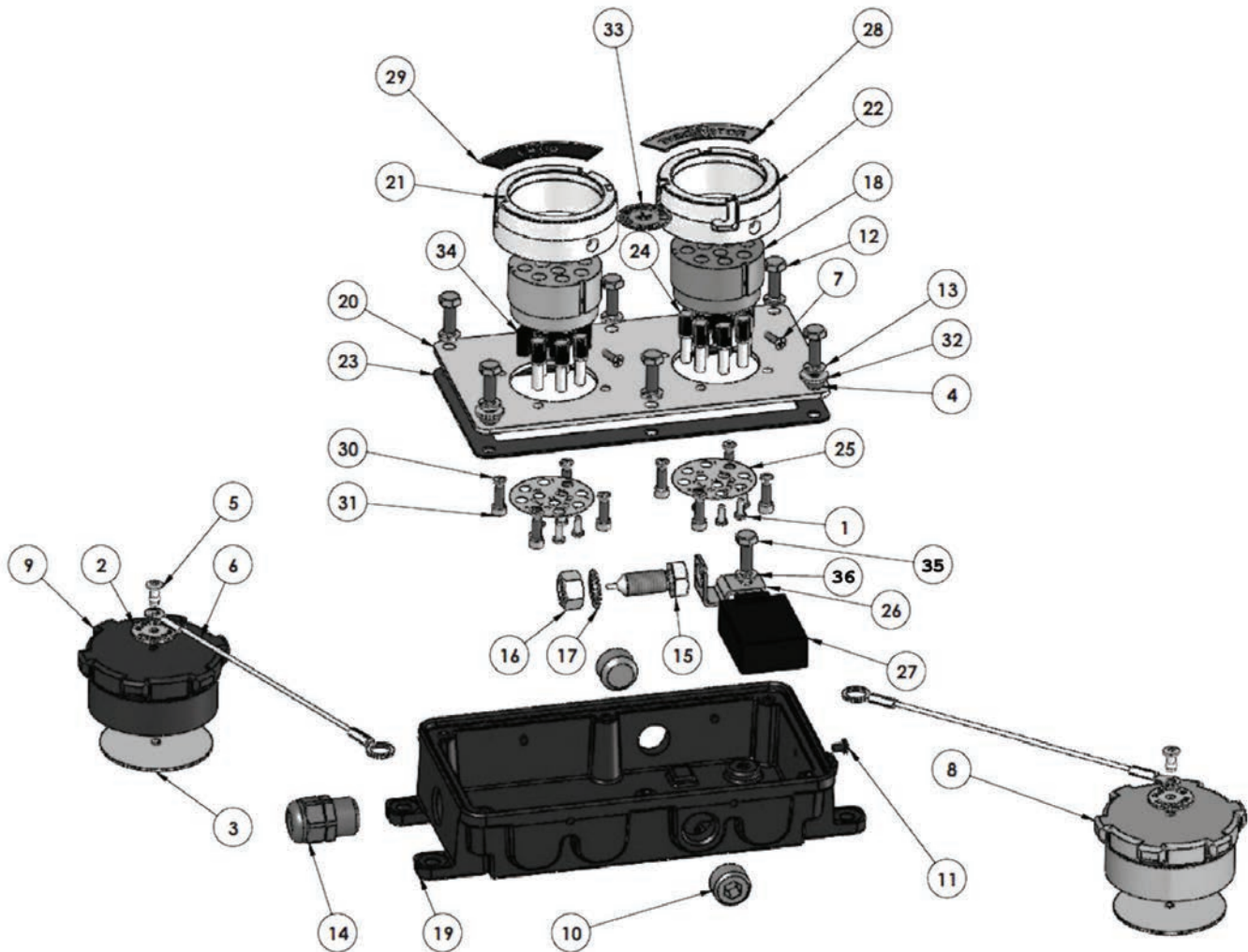


Call Toll Free: 1-866-711-4673
International: +1-727-342-5086



Fuel Tanker Overfill Detection

FT390/FT391 Series EZ-Cept Double Sockets



Overfill
Replacement Parts

Fuel Tanker Overfill Detection

FT390/FT391 Series EZ-Cept Double Sockets

Bill of Materials

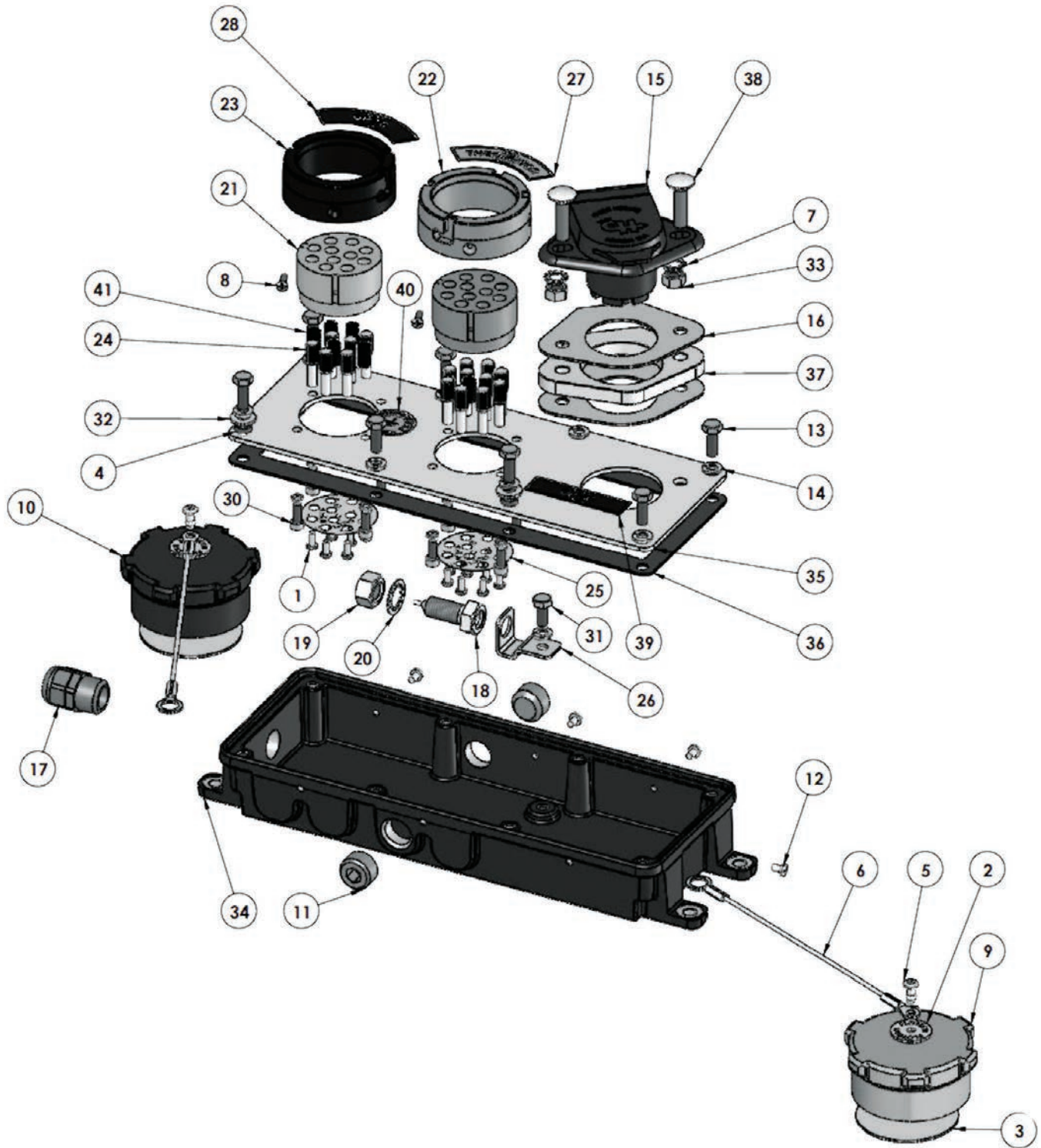
Item #	Description	Part #	FT390	FT390V	FT390G	FT390GT	FT390T	FT390-20	FT390G-20	FT391	FT391V
1	stainless steel screw	10086	16	16	16	16	16	16	16	16	16
2	aluminum name plate - socket washer	use kit FT320 or FT321	2	2	2	2	2	2	2	2	2
3	aluminum washer 2.500 x .0625	use kit FT320 or FT321	2	2	2	2	2	2	2	2	2
4	stainless steel spacer	10089	2	2	2	2	2	2	2	2	2
5	aluminum rivet .1875	use kit FT320 or FT321	2	2	2	2	2	2	2	2	2
6	stainless steel cable - socket 8"	use kit FT320 or FT321	2	2	2	2	2	2	2	2	2
7	stainless steel screw - contact block	10094	2	2	2	2	2	2	2	2	2
8	vinyl dust cap - thermistor (green)	use kit FT321	1	1	1	1	1	1	1	1	1
9	vinyl dust cap - optic (blue)	use kit FT320	1	1	1	1	1	1	1	1	1
10	polypropylene pipe plug	10103	2	2	2	2	2	2	2	2	2
11	steel screw - plug	10105	3	3	3	3	3	3	3	3	3
12	stainless steel screw	10110	6	6	6	6	6	6	6	6	6
13	stainless steel lock washer - 1/4"	10111	6	6	6	6	6	6	6	6	6
14	polyamide strain relief	10139	1	1	1	1	1	1	1	1	1
15	stainless steel ground bolt	10223	n/a	n/a	1	1	n/a	n/a	1	n/a	n/a
16	stainless steel nut - ground bolt 1/2"-13	10224	n/a	n/a	1	1	n/a	n/a	1	n/a	n/a
17	stainless steel lock washer internal tooth	10225	n/a	n/a	1	1	n/a	n/a	1	n/a	n/a
18	plastic contact block - socket short	10254	2	2	2	2	2	2	2	2	2
19	aluminum box - dual socket	10364AL-001	1	1	1	1	1	1	1	1	1
20	aluminum faceplate - dual socket	10365AL	1	1	1	1	1	1	1	1	1
21	stainless steel wear ring - 3 J Slot	10366SS-002	1	1	1	1	1	1	1	n/a	n/a
22	stainless steel wear ring - 4 J Slot	10366SS-001	1	1	1	1	1	1	1	2	2
23	cork gasket - lid	10367CK	1	1	1	1	1	1	1	1	1
24	stainless steel socket pin - short	10368SS (was FT9061)	16	16	16	16	16	16	16	16	16
25	vinyl label - socket contact	10369VY	2	2	2	2	2	2	2	2	2
26	stainless steel bracket - ground bolt	10370SS	1	1	1	1	1	1	1	1	1
27	T.I.M. Module	10372	n/a	n/a	n/a	1	1	n/a	n/a	n/a	n/a
28	aluminum name plate - thermistor	10373AL	1	1	1	1	1	1	1	1	1
29	aluminum name plate - optic	10374AL	1	1	1	1	1	1	1	1	1
30	stainless steel lock washer	10375SS	8	8	8	8	8	8	8	8	8
31	stainless steel screw	10376SS	8	8	8	8	8	8	8	8	8
32	stainless steel washer	10382SS	2	2	2	2	2	2	2	2	2
33	ground bolt label	10621AL	n/a	n/a	1	1	n/a	n/a	1	n/a	n/a
34	plastic black button insert	BLACK BUTTON INSERT	6	6	6	6	6	6	6	6	6
35A	stainless steel screw	10110	n/a	n/a	n/a	1	1	n/a	n/a	n/a	n/a
35B	stainless steel screw	10377SS	1	1	1	n/a	n/a	1	1	1	1
36	stainless steel lock washer - 1/4"	10111	1	1	1	1	1	1	1	1	1
not illustrated	20 ft cable, factory wired to sockets	10387-20	n/a	n/a	n/a	n/a	n/a	1	1	n/a	n/a

Repair Kits

Part #	Description	Includes Item #
FT320	replacement blue (optic) vinyl cap assembly	2, 3, 5, 6, 9
FT321	replacement green (thermistor) vinyl cap assembly	2, 3, 5, 6, 8
FT9051	replacement contact block assembly for FT390/FT393 Optic 6 pin	1, 7, 18, 24, 25
FT9052	replacement contact block assembly for FT390/FT393 Thermistor 10 pin	1, 7, 18, 24, 25
FT9062	replacement nose ring, contact assembly, Thermistor 4J slot, 10 pin	1, 7, 18, 22, 24, 25
FT9063	replacement nose ring, contact assembly, Optic 3J slot, 6 pin	1, 7, 18, 21, 24, 25
FT9068	replacement contact block attachment screws and washers (4 each)	30, 31

Fuel Tanker Overfill Detection

FT393/394/395 Series EZ-Cept Triple Sockets



Overfill
Replacement Parts

Fuel Tanker Overfill Detection

FT393/394/395 Series EZ-Cept Triple Sockets

Bill of Materials

Item #	Description	Part #	FT393	FT394	FT394G	FT394V-G	FT395	FT395V	FT395G	FT395V-G
1	stainless steel screw	10086	16	16	16	16	16	16	16	16
2	aluminum name plate - socket washer	10087	2	2	2	2	2	2	2	2
3	aluminum washer 2.500 x .0625	use kit FT320 or FT321	2	2	2	2	2	2	2	2
4	stainless steel spacer	use kit FT320 or FT321	2	2	2	2	2	2	2	2
5	aluminum rivet .1875	use kit FT320 or FT321	2	2	2	2	2	2	2	2
6	stainless steel cable - socket 8"	use kit FT320 or FT321	2	2	2	2	2	2	2	2
7	stainless steel lock washer	10092	2	2	2	2	2	2	2	2
8	stainless steel screw - contact block	10094	2	2	2	2	2	2	2	2
9	vinyl dust cap - thermistor (green)	use kit FT321	1	1	1	1	1	1	1	1
10	vinyl dust cap - optic (blue)	use kit FT320	1	1	1	1	1	1	1	1
11	polypropylene pipe plug	10103	2	2	2	2	2	2	2	2
12	steel screw - plug	10105	4	4	4	4	4	4	4	4
13	stainless steel screw	10110	8	8	8	8	8	8	8	8
14	stainless steel lock washer - 1/4"	10111	9	9	9	9	9	9	9	9
15	J560 socket	10119 (was FT9029)	1	1	1	1	1	1	1	1
16	neoprene gasket, float socket	10121	2	2	2	2	2	2	2	2
17	polyamide strain relief	10139	1	1	1	1	1	1	1	1
18	stainless steel ground bolt	10223	n/a	n/a	1	1	n/a	n/a	1	1
19	stainless steel nut - ground bolt 1/2"- 13	10224	n/a	n/a	1	1	n/a	n/a	1	1
20	stainless steel lock washer internal tooth	10225	n/a	n/a	1	1	n/a	n/a	1	1
21	plastic contact block - socket short	10254	2	2	2	2	2	2	2	2
22	stainless steel wear ring - 4 J Slot	10366SS-001 (was FT9044)	1	1	1	1	2	2	2	2
23	stainless steel wear ring - 3 J Slot	10366SS-002 (was FT9043)	1	1	1	1	n/a	n/a	n/a	n/a
24	stainless steel socket pin - short	10368SS (was FT9061)	16	16	16	16	16	16	16	16
25	vinyl label - socket contact	10369VY	2	2	2	2	2	2	2	2
26	stainless steel bracket - ground bolt	10370SS	1	1	1	1	1	1	1	1
27	aluminum name plate - thermistor	10373AL	1	1	1	1	1	1	1	1
28	aluminum name plate - optic	10374AL	1	1	1	1	1	1	1	1
30	stainless steel screw	10376SS	8	8	8	8	8	8	8	8
31	stainless steel screw	10377SS	1	1	1	1	1	1	1	1
32	stainless steel washer	10382SS	2	2	2	2	2	2	2	2
33	stainless steel nut	10508SS	2	2	2	2	2	2	2	2
34	aluminum box - 3 socket	10525AL	1	1	1	1	1	1	1	1
35	aluminum faceplate - three socket	10526AL	1	1	1	1	1	1	1	1
36	cork gasket - lid	10527CK	1	1	1	1	1	1	1	1
37	acetal spacer	10529AC	1	1	1	1	1	1	1	1
38	stainless steel carriage bolt	10530SS	2	2	2	2	2	2	2	2
39A	aluminum name plate - optic (blue)	10558AL	n/a	1	1	1	1	1	1	1
39B	aluminum name plate - float (red)	10531AL	1	n/a	n/a	n/a	n/a	n/a	n/a	n/a
40	aluminum label - ground bolt	10621AL	n/a	n/a	1	1	n/a	n/a	1	1
41	plastic black button insert	BLACK BUTTON INSERT	6	6	6	6	6	6	6	6

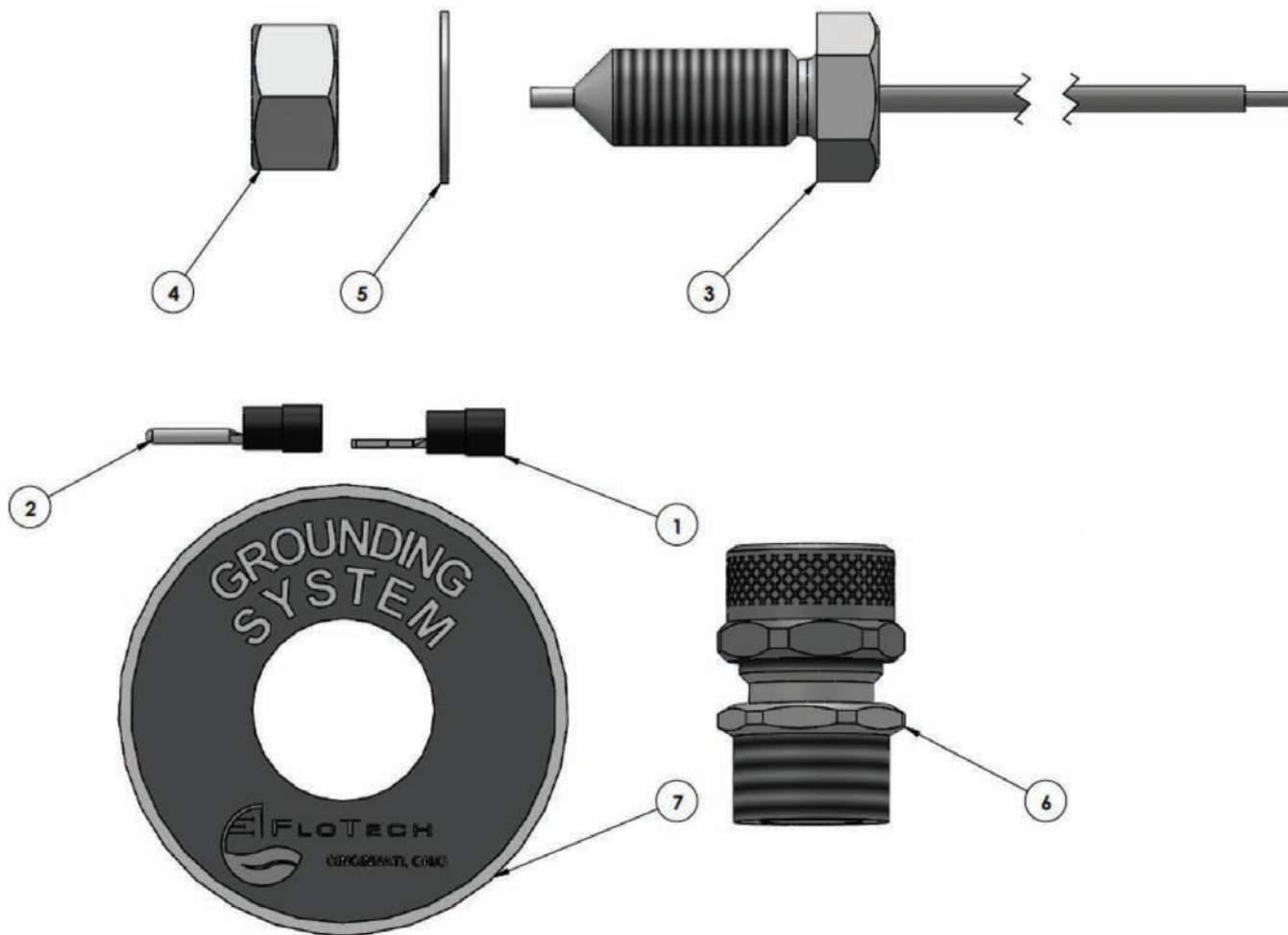
Repair Kits

Part #	Description	Includes Item #
FT320	replacement blue (optic) vinyl cap assembly	2, 3, 5, 6, 9
FT321	replacement green (thermistor) vinyl cap assembly	2, 3, 5, 6, 10
FT9051	replacement contact block assembly for FT390/FT393 Optic 6 pin	1, 8, 21, 24, 25
FT9052	replacement contact block assembly for FT390/FT393 Thermistor 10 pin	1, 8, 21, 24, 25
FT9062	replacement nose ring, contact assembly, Thermistor 4J slot, 10 pin	1, 8, 21, 22, 24, 25
FT9063	replacement nose ring, contact assembly, Optic 3J slot, 6 pin	1, 8, 21, 22, 24, 25
FT9068	replacement contact block attachment screws and washers (4 each)	29, 30

 Replacement Parts
Overfill

Fuel Tanker Overfill Detection

FT450 Ground Bolt



Bill of Materials

Item #	Description	Part #	Qty
1	locking spade	10102	1
2	terminal pin	10123	1
3	stainless steel ground bolt	10223	1
4	stainless steel nut - ground bolt 1/2"-13	10224	1
5	stainless steel lock washer internal tooth	10225	1
6	strain relief 1/2" NPT	10229	1
7	aluminum label - ground bolt	10562	1

Overfill Replacement Parts



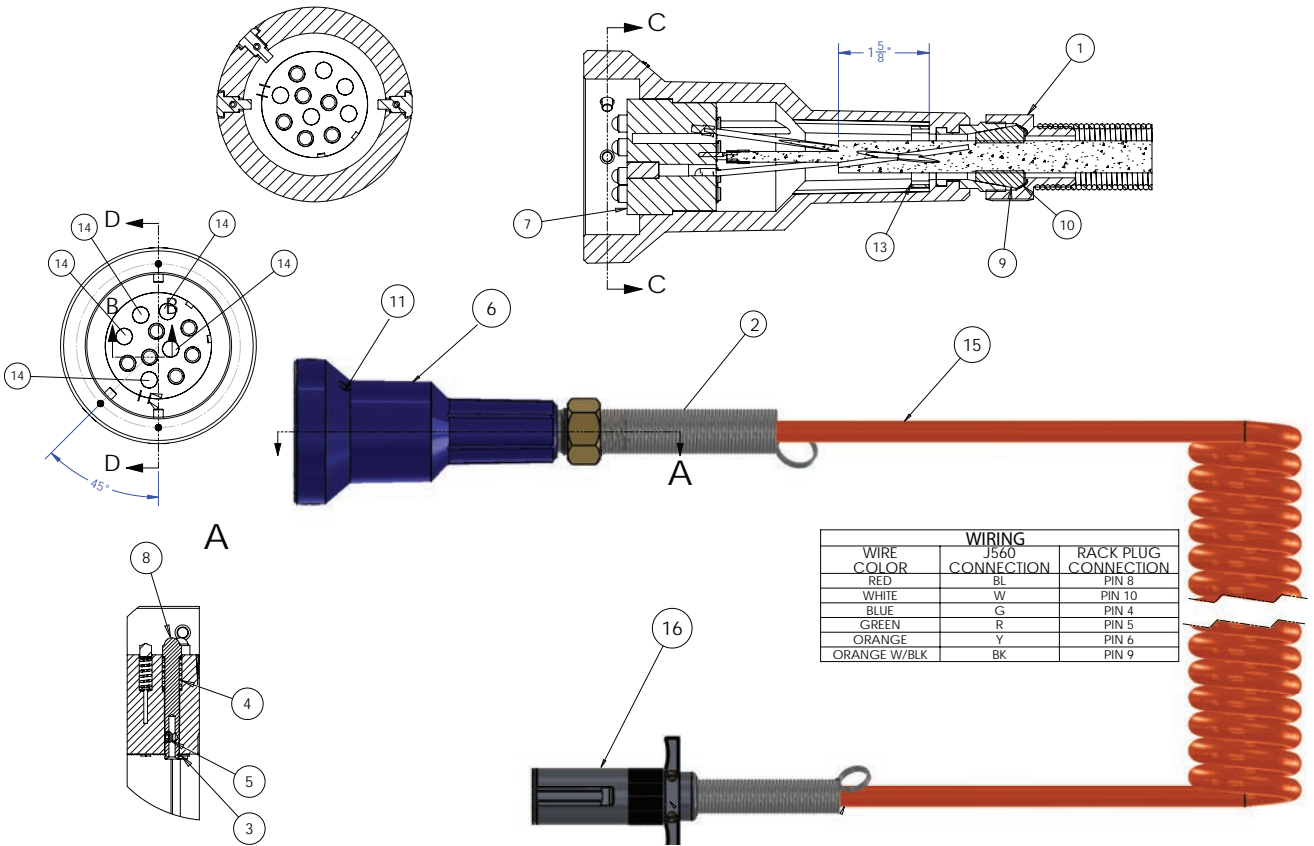
Call Toll Free: 1-866-711-4673
International: +1-727-342-5086



Fuel Tanker Overfill Detection

Rack Cords-FT620P

NEW



Bill of Materials

Item #	Description	Part #	Qty	Material
1	strain relief nut	10249	1	aluminum
2	spring	10250	1	SST
3	retaining ring	10252	6	steel
4	spring	10253	6	SST
5	set screw	10260	6	SST
6	body	10523NY-003	1	nylon
7	contact block-long	10524PL-001	1	plastic
8	plug pin	10550SS	6	SST
9	cord grip bushing	10715NP	1	neoprene
10	cord grip washer	10716ST	1	plated steel
11	screw	10717SS	1	SST
13	pinch-on double ear clamp	1518R	1	SST
14	black button insert	BLACK BUTTON INSERT	5	plastic
15	assembly 30' coil	10290-002	1	-
16	J560 plug	10285-003	1	-

Replacement Parts
Overfill

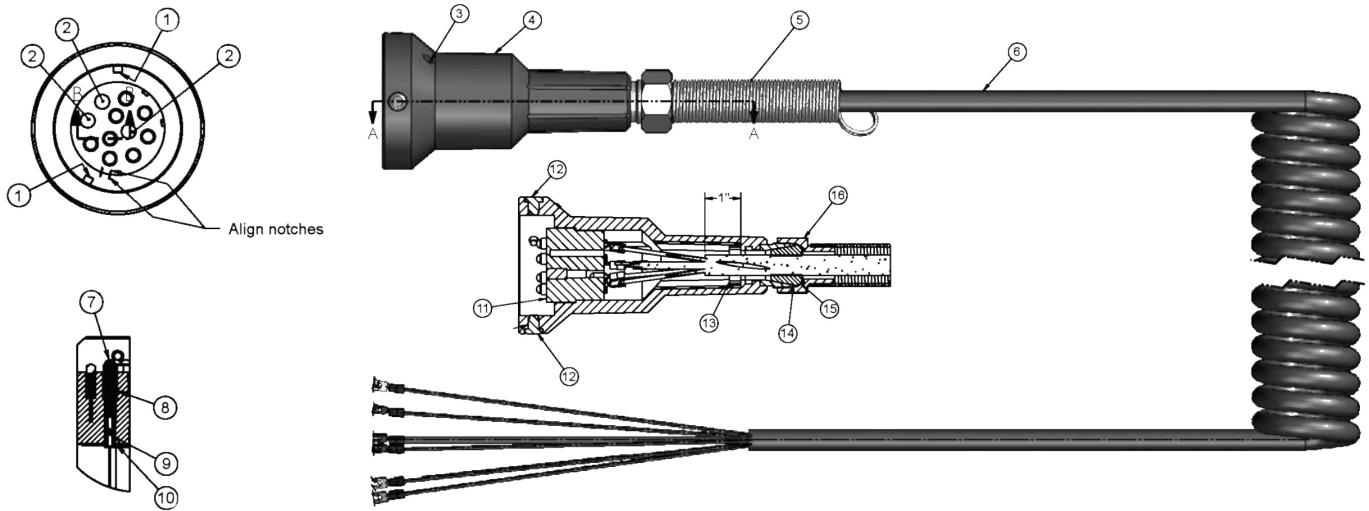


Call Toll Free: 1-866-711-4673
International: +1-727-342-5086



Fuel Tanker Overfill Detection

Rack Cords



Bill of Materials

Item #	Description	Part #	FT600	FT600C	FT600S	FT600SC	FT620	FT620S
1	bayonet stud	10718SS	2	4	2	4	3	3
2	plastic black pin insert	BLACK BUTTON INSERT	3	1	3	1	5	5
3	stainless screw	10717SS	1	1	1	1	5	1
4A	green "thermistor" glass reinforced nylon plug body	10523NY-004	1	1	1	1	n/a	n/a
4B	blue "optic" glass reinforced nylon plug body	10523NY-003	n/a	n/a	n/a	n/a	1	1
5	stainless, cable bend restrictor spring	10250	1	1	1	1	1	1
6A	thermistor cable assembly 30' coiled (US)	10259	1	n/a	n/a	n/a	n/a	n/a
6B	thermistor cable assembly 30' coiled (Canada)	10259-C	n/a	1	n/a	n/a	n/a	n/a
6C	thermistor cable assembly 20' straight (US)	10259-S	n/a	n/a	1	n/a	n/a	n/a
6D	thermistor cable assembly 20' straight (Canada)	10259-CS	n/a	n/a	n/a	1	n/a	n/a
6E	optic cable assembly 30' coiled (US)	10290	n/a	n/a	n/a	n/a	1	n/a
6F	optic cable assembly 30' straight (US)	10290-S	n/a	n/a	n/a	n/a	n/a	1
7	plug pin	10550SS	8	10	8	10	6	6
8	stainless plug spring	10253	8	10	8	10	6	6
9	set screw	10260	8	10	8	10	6	6
10	retaining ring	10252	8	10	8	10	6	6
11	long plastic contact block	10524PL-001	1	1	1	1	1	1
12	aluminum bayonet pin plug	10718PLUG	2	4	2	4	n/a	n/a
13	stainless double ear pinch on clamp	SINGLE1518R	1	1	1	1	1	1
14	cord grip bushing	10715NP	1	1	1	1	1	1
15	cord grip washer	10716ST	1	1	1	1	1	1
16	aluminum strain relief nut	10249	1	1	1	1	1	1

Overfill Replacement Parts

Repair Kits

Part #	Description	Includes Item #
FT601	Replacement thermistor plug assembly, 8 pin 4 J slot (US)	1-4A,5,7-11,14-16
FT601-10	Replacement thermistor plug assembly, 10 pin 4 J slot (Canada)	1-4A,5,7-11,14-16
FT602	Replacement 30' orange coiled cord, Thermistor 10 conductor	6B, 13
FT604	Replacement 20' orange straight cord, Thermistor 10 conductor	6D, 13
FT621	Replacement optic plug assembly, 6 pin 3 J slot (US)	1-4B,5,7-11,14-16
FT622	Replacement 30' orange coiled cord, Optic 6 conductor	6E, 13
FT624	Replacement 20' orange straight cord, Optic 6 conductor	6F, 13

Description Index

Index

A

Adapters	2-4, 7, 13, 15, 17, 21-23, 26-27
Bayonet Style	26-27
Dry Disconnects	22-23, 26-27
Female NPS Vapor	23
In-Ground Tank	15
Jump Size Female NPT	23
Side Seal to Top Seal	13
Tank Cabinet "Dummy" Weld-on	13
Air Interlock Valves	19
API	2-4, 6-7, 10, 28, 38, 41, 50-51, 53-57, 61-63, 65
Compatible Loading Rack Cords	57
Couplers	28
Drop Adapters	7
Dust Caps	7
Gaskets	10
Optic Cord Assemblies	57, 62
Thermistor Cord Assemblies	57, 62
Valves	6

B

Breakaways	35
Bulk Delivery	31

C

Cables and Strain Reliefs	55
Cam and Groove	9, 22, 24, 25
Caps	2-3, 7, 15, 17, 20, 36
Automatic Pressure/Vacuum Relief	36

In-Ground Tank	15
Locking Fill	3
Orange Vapor	17
Tanker Pipe	20
Vent	36
Clamps	29
Groove	29
Competitor Cross Reference Chart	1, 61-64
Couplers	2, 22, 24-26, 28
Bayonet Style	26-27
Female NPT Swivel	24
Greaseless Female NPT	24
Couplings	4, 17, 22, 24-26
Bayonet Style	26-27
Dry Disconnects	22-26
Vapor Hose	17

D

Drop Adapters	3, 7
Dry Disconnects	22-26
Adapters	22-23
Bayonet Style	26-27
Cam and Groove Style	22-25
Caps	27
Couplers	24-26
Handle Locking Kits	25
Plugs	27
Dust Caps	7, 21
Dust Plugs	21

E

Elbows	2-4, 11-14, 16
6200 and 6500 Series	11
Dual Point	16
Fuel Delivery	11-16
Height Extensions	13
Inlets	12
Side Seal	12
Single Point Coaxial	14
Vapor Recovery	14-16

F

Flanges	3, 9-10, 17-18, 22-23	Straight Drop	12
150# Adapter	23	Tank Cabinet "Dummy" Weld-on	13
Cam and Groove	9	Top Seal	13
Gaskets	10	Fuel Tanker	1, 6-7, 9-10, 19-21, 29, 38-63
Reducer	10	Hose Tube Doors	20
Sight Flow Indicators	8	Ladder Step	2, 20
TTMA	3-4, 6, 8-10, 17-18, 28	Fuel Tanker Loading and Unloading	6-8
FloTech™	3-4, 37-61	Fuel Tanker Overfill Detection	1, 38-63
API Optic 5 Wire	1, 50-51	5 Wire Plug-n-Play	49
Onboard Monitor	51	Fuel Vapor Recovery	17-19
Overfill Sensors	51	G	
Replacement Probes	51	Gaskets	4, 10, 28-29
Checkmate Overfill Detection Systems	44	Grounding Balls	1, 20, 55
Checkmate Overfill/Retain	39-45, 55	Grounding Bolt	55
Monitor	45	H	
Overfill Sensors	45	Hose Tube Doors	20
Replacement Probes	45	I	
Retain Sensors	45	In-Ground Tank Adapters	15
Checkmate Overfill/Retain Plug-n-Play System	39-45	L	
Replacement Probes	42	Ladder Step	2, 20
Retain Sensors	42	M	
Wiring Harnesses	43	Monitors	1, 39-41, 43, 45, 47, 51, 61
FT151RL ROM Link	58	N	
Replacement Sensor	58	Nozzles	30-34
Monitors	1, 39-41, 43, 45, 47, 51, 61	Aircraft Over Wing	34
Reelcraft® Static Discharge Reels	57	Ball	32
Replacement Parts	59-60	Quick Fill Swivel Nuts	32
R/OM Type Overfill	1, 46, 48	Replacement Spouts	32
Monitor	47	Big Mouth™ Diesel	30
R/OM Type Overfill/Retain	1, 46, 48	Breakaways	35
Replacement Probes	47	DEF Automatic Shutoff	30
Trailer Identification Module	56	Farm and Consumer	30
Truck Tester	56	Fueler 100™ Automatic Diesel	31
Fuel Compatibility Chart	4	Fuel Master™ Diesel	30
Fuel Delivery	11-16	Pressure	31
6200 and 6500 Series	11	Bulk Delivery	31
Coaxial Elbow-Replacement Fuel Inlets & Vapor Outlets	13	Replacement Spouts	31
Connectors	12		
Elbow Inlets	12		
Elbows	11-12		
Side Seal	12-13		
Single Point Coaxial	14		

Standard- Low Pressure/Gravity Utility	33	BA/BS/BSS Series Bayonet Style Dry Disconnect	117-118
Replacement Spouts	33	BL Ball Nozzles	125-126
Swivels	34-35	BL Super Ball Nozzles	127-128
O		Bottom Unit, for "D" Handle Elbows	77
Optic System Tester	56	Bottom Unit, for Side Lever Elbows	78
Overfill Detection	37-63	Bulk Delivery Nozzles	119
P		"Checkmate" Black & White 2 Wire	144
Plug-n-Play System	39-43	D2C Cam and Groove Actuator Style Dry Disconnect	113
Pressure	31	DBA Cam and Groove Dry Disconnect	99-100
Probes	1, 38, 42, 45, 47-48, 51-52, 58	DBAF Cam and Groove Dry Disconnect	102
R		DBC Cam and Groove Dry Disconnect	103-110
Recommendations	5	DBS 90° Swivel Cam and Groove Dry Disconnect	111-112
Bottom Loading, Gasket and Seal	5	DBVA Cam and Groove Dry Disconnect	101
Replacement Parts		Drop Elbow Inlets	76
4" Vapor Cap	86	Dry Disconnect Bayonet Style Adapter	114
5 Wire, API Optic On-Board Monitor	142	Dry Disconnect Bayonet Style Coupler	115-116
400-DC-ALPH Dust Cap with Handle	98	EZ-Cept Double Sockets	148-149
500AV and 525AV Angle Valves	124	EZ-Cept Triple Sockets	150-151
4500 Drop Adapter Mounting Ring	75	FT450 Ground Bolt	152
4500 Series Drop Adapter Outlets	75	Gravity Nozzle	122
4530 and 4540 Series Gravity Drop Adapter	74	Hose Shank and Check Valve Swivels	124
4530SG and 4540SG (with Sight Glass) Gravity Drop		Overfill Sensor Housings	140-141
Adapters	74	Plug-n-Play	129-139
5000-24 API Dust Cap	72	Rack Cords	153, 154
5000-24L Lockable API Cap	73	Retain Sensor Housings	141
5000-25 API Dust Cap	72	R/OM Type Red & Black 2 Wire, Onboard Monitor	143
5000AIR Series	95-97	SA4050AL Cap	86
5000AI Series	96	Single J560 Sockets	145
5000AIV Series	97	Single J Slot Sockets	146-147
5006AIHD Series Heavy Duty Air Interlock Valve	98	SWMF125, SWMF150 and SWMF200 Swivels	123
5200-SFI Series, Sight Glass	76	TDF Series Tube Doors	95
5204 Series, API Bottom Load Valves	70-71	TL4070BZ Series Bronze Cap	86
5205 API Dust Cap	72	Top "D" Handle Elbow	77
5300/5400 Series API Couplers	67, 69	Top Side Lever Elbow	78-79
6000AS Series Side Seal Elbow	81	Utility Nozzle	122
6000-SSA Series 4" Side Seal Adapter	81	VR3100 Series 3" Vapor Hose Valve	87
6303 and 6304 Series Straight Drop	79	VR4000 Series 4" Vapor Hose Valve	87
6400 Series Co-axial Drop Elbow	80	VR4030CS-AL Vapor Hose Coupler	89-90
Aviation Nozzles	121	VR4030CS-NP Vapor Hose Coupler	91
		VR4050PL Series 4" Nylon Vapor Cap	86
		VR4086 Series Vapor Adapter	88
		VR4100F Series Vapor Hose Valve	88

VR4100 Series 4" Vapor Hose Valve	87	Load/Unload	6
VR6000NP Series Vapor Elbows	85	One Way Full Flow Ball	21
VR6030SQ Series	92	Two Way-3 Port Diverting Ball	21
VR6035Q Series	93	Vapor Return	17
VR6100 Series Vapor Elbows	82	Vapor Recovery	14-19
VR6200 Series Vapor Elbows	83	Dual Point Elbows	16
VR6500 Series Vapor Elbows	84	Elbows	14, 16
VRC3000AL Vapor Hose Coupler	91	Hose Couplings	17
VRP3500 and VRP3600 Series Outbreathing Vent	94	Orange Vapor Caps	17
VRV3501 Series Inbreathing Vent	94	Single Point Coaxial	14
Retain Sensors	1, 42, 45, 47	Vents	2, 4, 18, 36
		Caps	36
		Inbreathing and Outbreathing	18
S			
Sensor Dummy	55		
Sensor Housings	1, 52		
Sensors	1, 4, 38, 42, 45, 47, 51, 61		
Sequential Vapor Vents	18		
Sight Flow Indicators	8		
Sockets	39, 40, 46, 53, 54, 62		
Dual	39-41, 66		
EZ-Cept Double	54		
EZ-Cept Triple	54		
Single	41, 53		
Socket Profiles	1, 65-66		
Stand Alone	41		
Triple	41, 66		
Static Grounding Balls	20		
Swivels	34, 35		
T			
Trailer Identification Module (T.I.M.) Chip Reader	1, 56		
TTMA3	4, 6, 8, 9, 10, 17, 18, 28		
Butterfly Valve Spacer	10		
Flanged Sight Flow Indicators	8		
Flange Reducer	10		
Flange x Cam and Groove	9		
Gaskets	10		
V			
Valves	2, 4, 6, 10, 16-17, 19, 21, 25		
Air Interlock	3		
Heavy Duty 6-Port	19		
Standard	19		

Part Number Index

100202.....	95	10139.....	130-131, 137, 149, 151
10031.....	134, 145, 147	10142.....	142
10038.....	134, 145, 147	10143.....	143
10077.....	142	10183.....	140
10078.....	143	10183-P&P.....	138
10079.....	142	10185.....	138, 140
10086.....	130, 135, 137, 142-143, 147, 149, 151	10196.....	130-131, 143-144
10087.....	137, 151	10200A.....	130-131, 143-144
10089.....	130, 135, 147, 149	10203.....	140
10092.....	134, 137, 145, 147, 151	10204.....	138
10093.....	134, 145, 147	10207.....	142
10094.....	130, 135, 137, 147, 149, 151	10212.....	138, 140
10095.....	134, 145	10213.....	138, 140
10099.....	147	10223.....	135, 137, 149, 151-152
10099-002.....	147	10224.....	135, 137, 149, 151-152
100AV-12.....	121	10225.....	135, 137, 149, 151-152
100AV-15.....	121	10228.....	147
100AV-17.....	121	10229.....	152
10100.....	147	10235.....	134, 145
10101.....	147	10244.....	145
10102.....	152	10248.....	138-139
10103.....	130-131, 134, 135, 137, 139, 140-145, 149, 151	10249.....	153-154
10105.....	135, 137, 149, 151	10250.....	153-154
10106.....	147	10252.....	153-154
10110.....	130, 135, 137-138, 140, 142-143, 149, 151	10253.....	153-154
10111.....	112, 130, 135, 137-138, 140, 142-143, 149, 151	10254.....	130, 135, 137, 149, 151
10119.....	134, 137, 145, 151	10259.....	154
10120.....	134, 145	10259-C.....	154
10121.....	134, 137, 145, 151	10259-CS.....	154
10122.....	145	10259-S.....	154
10123.....	134, 145, 152	10260.....	153-154
10125.....	138, 140	10264.....	145, 147
10126.....	138, 140	10283.....	147
10128.....	138, 140	10285-003.....	153
10131.....	142-143	10290.....	154
10134.....	139, 141	10290-002.....	153
10136.....	142-143	10290-S.....	154
		10343.....	139, 141
		10347.....	139, 141
		10356.....	131, 142-144
		10357.....	142
		10358.....	131, 143-144
		10364AL-001.....	135, 149
		10365AL.....	135, 149
		10366HC-001.....	147
		10366HC-002.....	147
		10366SS-001.....	130, 135, 137, 147, 149, 151

10366SS-002.....	130, 135, 137, 147, 149, 151	10550SS.....	153-154
10367CK.....	135, 149	10554SS.....	141
10368SS.....	130, 135, 137, 147, 149, 151	10558AL.....	137, 151
10369VY.....	135, 137, 149, 151	10562.....	152
10370SS.....	135, 137, 149, 151	10596PLAC.....	130
10372.....	130, 149	10597CK.....	130
10373AL.....	130, 135, 137, 149, 151	10598AL.....	130
10374AL.....	130, 135, 137, 149, 151	10599AL.....	130
10375SS.....	130-131, 135, 137, 139, 141, 144, 147, 149	10600AL.....	130
10376SS.....	130, 135, 137, 139, 141, 147, 149, 151	10601.....	130
10377SS.....	135, 137, 149, 151	10602BR.....	130
10382SS.....	130, 135, 137, 149, 151	10603BR.....	130
10387-20.....	149	10605PL.....	132, 134-135, 137
10387P-20.....	132, 134-135, 137	10606AC-002.....	130
10430AL.....	131, 144	10612.....	130
10431AL.....	147	10616PLBN.....	130-131
10432NP.....	130-131, 144	10621AL.....	130, 135, 137, 149, 151
10433PL.....	130-131, 144	10622.....	56
10434AL.....	131, 144	10638.....	138-139
10435AL.....	131, 144	10639.....	131
10436SS.....	130-131, 144	10690PL-001.....	147
10437SS.....	130-131, 144	10715NP.....	153-154
10438A.....	130-131, 144	10716ST.....	153-154
10459.....	130-131, 143-144	10717SS.....	153-154
10460.....	143	10718PLUG.....	154
10465.....	130-131, 144	10718SS.....	154
10470AL.....	142-143	10735.....	55
10471NY.....	141	10735-002.....	130
10471NY-P&P.....	139	10779-120.....	49
10476AL.....	139, 141	10779-20.....	49
10477SS.....	139, 141	10779-240.....	49
10507SS.....	134, 145	10779-360.....	49
10508SS.....	134, 137, 145, 151	10779-40.....	49
10520PL.....	143	10779-480.....	49
10521NP.....	143	10779-60.....	49
10523NY-003.....	153-154	10779-600.....	49
10523NY-004.....	154	110088.....	121
10524PL-001.....	153-154	110172.....	84
10525AL.....	137, 151	110319.....	84
10526AL.....	137, 151	110601.....	80
10527CK.....	137, 151	110717.....	94
10529AC.....	137, 151	110746.....	119, 121
10530SS.....	137, 151	110748.....	87
10531AL.....	151	110798.....	119, 121
10540SS.....	141	110892.....	88
10541AL.....	141	110897.....	95
10542RN.....	141	110929.....	95

111196.....	95	112242.....	79, 84
111542.....	71	112245.....	82
111550.....	71	112260.....	95
111552.....	71	112261.....	95
111553.....	71	112262.....	90
111554.....	71	112263.....	90
111556.....	71	112264.....	90
111557.....	71	112269.....	87
111559.....	71	112270.....	87-88
111560.....	71	112271.....	88
111561.....	71	112370.....	97
111562.....	71, 88	112416.....	90
111563.....	71	1125A.....	31, 32, 119
111564.....	71	1125B.....	31, 119
111565.....	71	112D.....	31
111566.....	71	112DAL-9.....	119
111569.....	71	112DNS.....	31
111570.....	88	112DSK.....	119
111572.....	88	114/2D-TK.....	119, 121
111573.....	71	1143A.....	31, 32, 120
111574.....	71	1143B.....	120, 31
111575.....	88	114D.....	31
111579.....	71	114D-AV.....	34
111580.....	71	114D-AV-06ASM.....	34
111679.....	92	114DAL-10.....	119-121
111680.....	92	114DAL-2.....	120
111681.....	92	114DAL-3.....	121
111683.....	92	114DAL-4.....	121
111686.....	92	114DAL-AV-19.....	119, 121
111687.....	92	114DAL-AV-20.....	121
111689.....	93	114DAL-AV-22.....	121
111692.....	92	114DAVR.....	34
111693.....	92	114DNS.....	31
111694.....	92	114DSK.....	120
111723.....	80	1200SK.....	124
111727.....	79	1250-2.....	122
111728.....	79, 84	1250-3.....	122
111729.....	79	1250-94.....	31
111730.....	79	1250SK.....	122
111733.....	88	1250TK.....	122
111SS3.....	95	1500SK.....	124
112012.....	77-78, 80, 83	1518R.....	153
112044.....	88	1565U.....	34
112052.....	74	1570RK.....	124
112053.....	74	15S.....	20
112099.....	122	1WAYBV200.....	21
112120.....	92	1WAYBV200.....	21



Call Toll Free: 1-866-711-4673
International: + 1-727-342-5086



1WAYBV400.....	21	31440-225AL.....	7
1WAYBV200SW.....	21	325-P.....	89, 98
1WAYBV300SW.....	21	340164.....	119
1WAYBV200VIC.....	21	340165.....	121
1WAYBV300VIC.....	21	340304.....	88
200-G-BU.....	104	340331.....	88
200-G-EPR.....	104	341641.....	93
200-G-TES.....	104	341643.....	92
200-G-TFVI.....	104	341709.....	79
200-G-VI.....	104	341755.....	71
200-PV-9.....	36	341756.....	71
2000L.....	36	341784.....	84
2500L.....	36	341801.....	71
234-80-4.....	33, 122	341819.....	90
234-80-5.....	33, 122	341820.....	90
250-G-BU.....	106-107, 138, 140	375-SS.....	79
250-G-EPR.....	106-107	390104.....	95
250-G-TES.....	106-107	390105.....	95
250-G-TEV.....	107	390552.....	94
250-G-TFVI.....	106	390564.....	75
250-G-VI.....	106-107	390812.....	71
2500SFV.....	36	390813.....	71
2WAYBV200.....	21	390815.....	71
2WAYBV300.....	21	390822.....	92-93
2WAYBV400.....	21	390826.....	92
2WAYBV200SW.....	21	390841.....	79
2WAYBV300SW.....	21	390842.....	85
2WAYBV200VIC3.....	21	391137.....	32
2WAYBV300VIC3.....	21	391848.....	95
300-ALT-AL.....	9	391858.....	95
300-DC-ALPH.....	21	391860.....	90
300-DLT-AL.....	9	391866.....	90
300-DP-ALPH.....	21	391868.....	90
300-G-BF.....	76	400-ALT-AL.....	9
300-G-BU.....	91	400-CVR-AL.....	17
300-HR-BR.....	89, 98	400-DC-ALPH.....	21, 98
300-HRP-BR.....	72, 74-76, 89, 91	400-DDVR-AL.....	17
300GTTFBL.....	10	400-DLT-AL.....	9
300GTTFCB.....	10	400-DP-ALPH.....	21
40321TF.....	10	400-DVR-AL.....	17
40364TF.....	10	400-G-BF.....	74-76
400GTTFCB.....	10	400-G-BU.....	86, 89, 91, 98
40322TF.....	10	40001AL.....	99
40323TF.....	10	40001SS.....	99
300GTTFK.....	10	40001ZA.....	99
3040ALTAL.....	9	40002AL.....	99
3040DLTAL.....	9	40002SS.....	99

Part Number Index



Call Toll Free: 1-866-711-4673
International: +1-727-342-5086



40003AL.....	99	40087SS.....	104, 107, 109, 112
40003SS.....	99	40088SS.....	104, 107, 112, 118
40004SS.....	99, 101-102	40089SS.....	104, 107, 112
40005BR.....	99	40091SS.....	106-107, 112
40005SS-001.....	99	40092SS.....	106-107, 112
40005SS-002.....	99	40093SS.....	106-107, 112
40006BN.....	102	40094SS.....	104, 107, 112
40006EP.....	102	40095TF.....	106-107, 112
40006KR.....	102	40096SS.....	107
40006TS.....	101-102	40097SS.....	106-107, 112
40006VI.....	102	40098SS.....	106-107, 112
40022ALTAL.....	9	40099SS.....	104, 107, 112, 141
40022DLTAL.....	9	400AWSPAL.....	13
400460.....	79	400GTTFBL.....	10
40053SS.....	114	400GTTFK.....	10
40054BR.....	114	40100SS.....	104, 107, 112
40055SS.....	114	40101SS.....	104, 107, 112
40056SS.....	114	40106AC.....	112
400588.....	79	40108AC.....	112
400636.....	92	40109AC.....	112
400637.....	85	40110ST.....	112
40074SS.....	104, 107, 112	40111SS.....	112
40075TF.....	104, 107, 112	40114SS.....	104
40076BN.....	104, 107, 112	40115SS.....	104
40076EP.....	104, 107	40116SS.....	104
40076KR.....	104, 107, 112	40117ALBN.....	104
40076VI.....	104, 107, 112	40117ALEP.....	104
40077TF.....	104, 107, 112	40117ALVI.....	104
40078FG.....	104, 107, 112	40117SSBN.....	105
40079SS.....	104, 107, 112	40117SSEP.....	105
40080SS.....	104, 107, 112	40117SSVI.....	105
40081ALBN.....	106, 112	40118SS.....	104
40081ALEP.....	106	40119TF.....	104
40081ALVI.....	106, 112	40120BN.....	104
40081SSBN.....	107	40120EP.....	104
40081SSEP.....	107	40120KR.....	104
40081SSVI.....	107	40120TS.....	104
40082TF.....	104, 107, 112	40120TV.....	104
40083SS.....	106-107, 112	40120VI.....	104
40084TF.....	106-107, 112	40122TF.....	104
40085BN.....	106-107, 112	40124SS.....	104
40085EP.....	106-107	40125SS.....	104
40085KR.....	106-107	40129AL.....	99
40085TS.....	106-107, 112	40129SS.....	99
40085TV.....	106-107	40129ZA.....	99
40085VI.....	106-107, 112	40130AL.....	99
40086SS.....	104, 107, 112	40130SS.....	99



Call Toll Free: 1-866-711-4673
International: +1-727-342-5086



40131AL.....	99	40180ZA.....	100
40131SS.....	99	40181AL.....	100
40132SS.....	99	40181SS.....	100
40133BR.....	99	40182AL.....	100
40133SS-001.....	99	40182SS.....	100
40133SS-002.....	99	40183BR.....	100
40134BN.....	102	40183SS.....	100
40134EP.....	102	40184SS.....	100, 102
40134KR.....	102	40185BN.....	102
40134TS.....	102	40185EP.....	102
40134VI.....	102	40185KR.....	102
40138SS.....	115	40185TS.....	102
40139SS.....	115	40185VI.....	102
40140SS.....	115	40187SSSS.....	101
40141SS.....	115	40190TF.....	101, 141
40142SS.....	115	40191TF.....	101
40143SS.....	115	40192SS.....	101
40144SS.....	115	40193AL.....	18
40145SS.....	115	40195SS.....	109
40146HC.....	115	40196SS.....	109
40147CA.....	115	40197ALBN.....	109
40148SS.....	115	40197ALVI.....	109
40149SS.....	115	40197SSEP.....	109
40150BN.....	115	40197SSVB.....	109
40150VI.....	115	40198TF.....	109
40151SS.....	115	4020-CVR-AL.....	17
40152SS.....	115, 118	40200AL.....	109
40153SS.....	115	40201TF.....	109
40154SS.....	115	40202SS.....	109
40155SS.....	115, 118	40203SS.....	109
40158ST.....	118	40204SS.....	109
40159SS.....	115	40205SS.....	109
40160SS.....	115	40206SS.....	109
40162BN.....	115	40207SS.....	109
40162VI.....	115	40208SS.....	109
40163BN.....	115	40209SS.....	109
40163VI.....	115	40210SS.....	109
40164SS.....	115	40211TF.....	109
40166VY.....	115	40212SS.....	109
40167AL.....	115, 118	40213FG.....	109
40168SS.....	106-107, 112	40214SS.....	109
40169SS.....	104	40216SS.....	109
40170TF.....	106-107, 112	40217SS.....	109
40171TF.....	104	40218SS.....	109
40175SS.....	101	40219TF.....	109
40180AL.....	100	40221SS.....	109
40180SS.....	100	40222TV.....	100

Part Number Index



Call Toll Free: 1-866-711-4673
International: + 1-727-342-5086



40223BN.....	109	40276VI.....	118
40223EP.....	109	40278AL.....	114
40223KR.....	109	40278BR.....	114
40223VB.....	109	40279AL.....	114
40223VI.....	109	40279BR.....	114
40224BN.....	109	40280AL.....	114
40224EP.....	109	40280BR.....	114
40224KR.....	109	40281SS.....	114
40224TS.....	109	40285SSSS.....	109
40224TV.....	109	4030-CVR-AL.....	17
40224VB.....	109	4030-DAVR-AL.....	17
40224VI.....	109	4030-DVR-AL.....	17
40235TF.....	109	40303AL.....	99
40246SS.....	118	40304SS.....	109
40247HC.....	118	40305TF.....	109
40248CA.....	118	40323BL.....	10
40249SS.....	118	40341SS.....	102
40250SS.....	118	40342SSSS.....	102
40251SS.....	118	40343TF.....	102
40252SS.....	118	40344SS.....	102
40253AL.....	118	40347SSSS.....	102
40254SS.....	118	40359SSSS.....	102
40255SS.....	118	40360SS.....	102
40256SS.....	118	40361SS.....	102
40257ST.....	118	40362TF.....	102
40258SS.....	118	40364BL.....	10
40259BR.....	118	40447ST.....	7
40260SS.....	118	4050AL.....	86
40261SS.....	118	4062AL.....	86
40262SS.....	118	4063.....	86
40263SS.....	118	4066.....	86
40264SS.....	118	4068.....	86
40265NY.....	118	4071.....	86
40266FL.....	118	407119.....	121
40267SS.....	118	41440-225AL.....	7
40268BR.....	118	4400SGK.....	75
40269VY.....	118	4400SGK-V.....	75
40270SS.....	118	4426.....	75, 79
40271SS.....	118	4427.....	75
40272SS.....	118	4432.....	80
40273BN.....	118	4433.....	75, 79
40273VI.....	118	4443.....	10
40274BN.....	118	4500-5.....	72, 74-75
40274VI.....	118	4500-7.....	72, 74-75
40275BN.....	118	4500RK.....	72, 74-75
40275VI.....	118	4500RK-V.....	72, 74-75
40276BN.....	118	4500.....	7

Part Number Index



Call Toll Free: 1-866-711-4673
International: + 1-727-342-5086



4502ASSM	7	500K	124
4502SGK	75	5200-SFI	8
4502SGK-V	75	5200-SFI-3	8
4504ASSM	7	5200-SFI-3-RK1	76
4530	7	5200-SFI-RK1	76
4540	7	5200C-SFI	8
4540V	7	5200C-SFI-3	8
4530SG	7	5201-SFI	8
4540SG	7	5201-SFI-RK1	76
4540SGV	7	5204	6, 71
4540F	7	5204SNG	6, 71
4540SG-RK1	74	5204TNG	6, 71
4540SG-RK2	74	5204-SP	71
4540SG-RK2-V	74	5204C	6, 71
4540SG-RK3	74	5204H	28
500-7A2	122	5204K1	71
5000-24	7, 72	5204K11	70-71
5000-24L	7	5204K12	70-71, 88
5000-25	7	5204K13	70-71
5000-25RK1	72	5204K2	70
5000-25RK2	72	5204K3	70-71
5000AI	19	5204K5	70-71
5000AI-2	97	5204K6	70-71
5000AI-5	97	5204K7	70-71
5000AIHD	19	5204K8	70-71, 88
5000AIHDRK1	96	5204K9	70
5000AIHDSK	96-97	5204KV1	71
5000AIHK	95-97	5204KV2	70
5000AIR	19	5204L	6, 71
5000AIRHD	19	5204LNG	6, 71
5000AIRHDSK	95	5204NG	6, 71
5000AIRRK1	95	5204NGC	6, 71
5000AIRSK	95	5204NGV	6, 71
5000AIS	19	5204P	6
5000AISK	97	5204SFI	6
5000AIST	19	5204SFI-P	6
5000AIV	19	5204T	28
5000AIVHD	19	5205	7
5000S	96	5205-RK1	72
5000ST	96	5205-RK2	72
5000STHD	96	5205-RK3	72
5006AIHD	19	5205-RK4	72, 74
5006AIHDSK	98	5300	28
5006AIRHD	19, 98	5300B	28
5006AIRHDSK	98	5300G	28
5006AISTHD	98	5400	28
5006AIVHD	10, 98	5400P	28

5400G.....	28	6000ASAT	12
5300BC.....	28	6000ASB	12
5300BCL.....	28	6000ASC	12
5354K1	69	6000ASD	12
5354K10	69	6000ASK	81
5354K11	69	6000ASR	12, 81
5354K12	69	6000AST.....	12
5354K13	69	6000EHK	77, 80-81, 83-84
5354K14	69	6000EXT.....	13
5354K15	69	6000F	12
5354K16	69	6000NPHK.....	76, 82-84
5354K17	69	6000SSHK.....	81
5354K18	69	6030.....	77, 79
5354K19	69	6030AS.....	81
5354K2	69	6200.....	11
5354K20	69	6200-1	77
5354K21	69	6200-15ASSM	78, 80, 83
5354K3.....	69	6200-17	12
5354K4	69	6200-7	78, 80, 83
5354K5	69	6200-7X.....	78, 80
5354K6	69	6200A.....	11
5354K7	69	6200C.....	11
5354K8	69	6200ARK	77-78
5354K9	69	6200B.....	11
5600AIHD	98	6200BK.....	77-78, 80, 83
600-ALT-AL.....	9	6200D	11
600-DLT-AL.....	9	6200SBK	78, 83
6000-12	71, 77, 85	6200SGK	77, 81
6000-13	77, 85	6200SHK	78, 83
6000-14	12, 16	6200X	11
6000-15	12, 16	6200X-17	12
6000-14C.....	13-14, 80	6200XA.....	11
6000-15C.....	13-14, 80	6200XB.....	11
6000-16	12	6200XC.....	11
6000-16C.....	13-14, 80	6200XD.....	11
6000-17C.....	13-14, 80	6230.....	78, 80
6000-17	12, 16	6230X	78, 80
6000-20	12	6300-3	79
6000-26C.....	13-14, 80	6303.....	12
6000-7	77	6304.....	12
6000-8	77, 85	6303NPT	12
6000-9	77-78, 80, 83	6304NPT	12
6000-SSA	13	6304-1	79
6000AS.....	12	6400.....	14
6000ASA.....	12	6430.....	14
6000ASAG.....	12	6400-1	80
6000ASAL.....	12	6400-4	12, 14, 80

Part Number Index



Call Toll Free: 1-866-711-4673
International: + 1-727-342-5086



6400ARK.....	80	BA32-300.....	26
6400DTK.....	80	BA32-300RK1.....	114
6400EXT.....	13	BA61-300.....	26
6400F.....	14	BA62-300.....	26
6400FNPT.....	14	BC61-200.....	26
6400SGK.....	80	BC62-200.....	26
6400X.....	14	BL-RK10.....	125
6430X.....	14	BL-RK102.....	127
6400XF.....	14	BL-RK11.....	125
6400XFNPT.....	14	BL-RK112.....	127
6430F.....	14	BL-RK12.....	125
6430XF.....	14	BL-RK122.....	127
6500.....	11	BL-RK13.....	125
6500-RK1.....	79	BL-RK4.....	125
6500A.....	11	BL-RK42.....	127
6500C.....	11	BL001.....	32
6500AHK.....	79	BL002.....	32
6500B.....	11	BL005.....	32, 125
6500D.....	11	BL062.....	32
6500X.....	11	BL064.....	32
6500XA.....	11	BL066.....	32
6500XC.....	11	BL066NS.....	32
6500XB.....	11	BL068.....	32
6500XD.....	11	BL068NS.....	32
6544CA-1.....	80	BL072.....	32
875-3.....	122	BL072NS.....	32
875-4.....	33, 122	BL918.....	32
875-5.....	33, 122	BL919.....	32
900.....	33	BL920.....	32
900B.....	33	BLACK BUTTON INSERT ...	130, 133, 135, 137, 147, 149, 151, 153-154
900B34.....	33	BS61-200.....	26
900W34B.....	33	BS61-200RK1.....	116
900RB.....	122	BS61-200RK2.....	116
900S.....	33	BS61-300.....	26
900S34.....	33	BS62-200.....	26
900SK.....	122	BS62-300.....	26
900TK.....	122	BS61-300RK1.....	118
900W34S.....	33	BS61-300RK2.....	118
ACAR34BZ.....	74-75	BS62-200RK1.....	116
AL4051-BORE.....	13	BS62-200RK2.....	116
AS156.....	77-79, 83	BS62-300RK1.....	118
BA31-200.....	26	BS62-300RK2.....	118
BA32-200.....	26	BSS4051.....	15
BA31-200RK1.....	114	BSS61-200.....	26
BA31-300.....	26	BSS61-300.....	26
BA31-300RK1.....	114	BSS62-200.....	26
BA32-300RK1.....	114		



Call Toll Free: 1-866-711-4673
International: + 1-727-342-5086



BSS62-300	26	DBA72-200	22
BY4051	15	DBA72-300	22
BZ4051	15	DBA73-150	22
BZ4051S	15	DBA73-200	22
D2C71-150	25	DBA73-300	22
D2C71-200	25	DBA74-150	22
D2C72-150	25	DBA74-200	22
D2C72-200	25	DBA74-300	22
D2C73-150	25	DBA76-150	22
D2C73-200	25	DBA76-200	22
D2C74-150	25	DBA76-300	22
D2C74-200	25	DBA77-150	22
DAB1	35	DBA77-200	22
DAB14	35	DBA77-300	22
DAB15	35	DBA79-300	22
DAB2	35	DBA78-200	22
DAB34	35	DBAF71-1520	23
DAB10	35	DBAF71-200	23
DAWS10	34	DBAF71-300	23
DAWS34	34	DBAF72-1520	23
DBA11-150	22	DBAF72-200	23
DBA11-1520	23	DBAF72-300	23
DBA12-1520	23	DBAF73-1520	23
DBA11-200	22	DBAF73-200	23
DBA11-300	22	DBAF73-300	23
DBA12-150	22	DBAF74-1520	23
DBA12-200	22	DBAF74-200	23
DBA12-300	22	DBAF74-300	23
DBA61-200	22	DBAF76-1520	23
DBA62-200	22	DBAF76-200	23
DBA63-150	22	DBAF76-300	23
DBA63-200	22	DBAF78-200	23
DBA63-300	22	DBAK1-150	99-100
DBA64-150	22	DBAK1-200	99-100
DBA64-200	22	DBAK1-300	100
DBA64-300	22	DBAK2-150	99-100
DBA66-150	22	DBAK2-200	99-100
DBA66-200	22	DBAK2-300	100
DBA66-300	22	DBAK3-150	99-100
DBA67-150	22	DBAK3-200	99-100
DBA67-200	22	DBAK3-300	100
DBA67-300	22	DBAK4-150	99-100
DBA69-300	22	DBAK4-200	99-100
DBA71-150	22	DBAK4-300	100
DBA71-200	22	DBAK6-150	99-100
DBA71-300	22	DBAK6-200	99-100
DBA72-150	22	DBAK6-300	100

Part Number Index



Call Toll Free: 1-866-711-4673
International: + 1-727-342-5086



DBAK7-150.....	99-100	DBC76-300.....	24
DBAK7-200.....	99-100	DBC77-150.....	24
DBAK7-300.....	100	DBC77-200.....	24
DBAK9-300.....	100	DBC77-300.....	24
DBC61-150.....	24	DBC79-300.....	24
DBC61-200.....	24	DBC71-150RK2.....	105
DBC61-300.....	24	DBC71-200RK2.....	107
DBC62-150.....	24	DBC72-150RK2.....	105
DBC62-200.....	24	DBC72-200RK2.....	107
DBC62-300.....	24	DBC74-150RK2.....	105
DBC63-150.....	24	DBC74-200RK2.....	107
DBC63-200.....	24	DBC77-150-GL.....	24
DBC63-300.....	24	DBC77-200-GL.....	24
DBC64-150.....	24	DBC78-200.....	24
DBC64-200.....	24	DBCL-200.....	25, 104-107
DBC64-300.....	24	DBCL-300.....	25
DBC66-150.....	24	DBCx1-150RK1.....	104-105
DBC66-200.....	24	DBCx1-200RK1.....	106-107
DBC66-300.....	24	DBCx1-300RK1.....	109
DBC67-150.....	24	DBCx1-300RK3.....	109
DBC67-200.....	24	DBCx2-150RK1.....	104-105
DBC67-300.....	24	DBCx2-200RK1.....	106-107
DBC69-300.....	24	DBCx2-300RK1.....	109
DBC61-150RK2.....	104	DBCx2-300RK3.....	109
DBC61-200RK2.....	106	DBCx3-150RK1.....	104-105
DBC61-300RK2.....	109	DBCx3-150RK2.....	104-105
DBC62-150RK2.....	104	DBCx3-200RK1.....	106-107
DBC62-200RK2.....	106	DBCx3-200RK2.....	106-107
DBC62-300RK2.....	109	DBCx3-300RK1.....	109
DBC64-150RK2.....	104	DBCx3-300RK2.....	109
DBC64-200RK2.....	106	DBCx3-300RK3.....	109
DBC64-300RK2.....	109	DBCx4-150RK1.....	104-105
DBC69-300RK2.....	109	DBCx4-200RK1.....	106-107
DBC71-150.....	24	DBCx4-300RK1.....	109
DBC71-200.....	24	DBCx4-300RK3.....	109
DBC71-300.....	24	DBCx6-150RK1.....	104-105
DBC72-150.....	24	DBCx6-200RK1.....	106-107
DBC72-200.....	24	DBCx6-300RK1.....	109
DBC72-300.....	24	DBCx7-150RK1.....	104-105
DBC73-150.....	24	DBCx7-200RK1.....	106-107
DBC73-200.....	24	DBCx7-300RK1.....	109
DBC73-300.....	24	DBCx9-300RK1.....	109
DBC74-150.....	24	DBCx9-300RK3.....	109
DBC74-200.....	24	DBCxx-150RK4.....	104-105
DBC74-300.....	24	DBCxx-150RK5.....	104-105
DBC76-150.....	24	DBCxx-150RK6.....	104-105
DBC76-200.....	24	DBCxx-150RK7.....	104-105



Call Toll Free: 1-866-711-4673
International: + 1-727-342-5086



DBCxx-150RK8	104-105	FT1006	50
DBCxx-150RK9	104-105	FT1001-12	50
DBCxx-200RK4	106-107	FT1002-12	50
DBCxx-200RK5	106-107	FT1003-12	50
DBCxx-200RK6	106-107	FT1004-12	50
DBCxx-200RK7	106-107	FT1005-12	50
DBCxx-200RK8	106-107	FT1006-12	50
DBCxx-200RK9	106-107	FT100S	52, 141
DBCxx-300RK4	109	FT101	51
DBCxx-300RK5	109	FT101-12	51
DBCxx-300RK6	109	FT101-18	51
DBCxx-300RK7	109	FT102	51
DBCxx-300RK8	109	FT103	51
DBCxx-300RK9	109	FT150	45, 140
DBS61-200	24	FT150-12	45, 140
DBS62-200	24	FT150-12P	138
DBS63-200	24	FT150-18	45, 140
DBV-BL200	29	FT150-18P	138
DBV-BL300	29	FT150P	42, 58, 138
DBV-BL400	29	FT150P-12	42, 58
DBV-BN200	29	FT150P-18	42
DBV-VB200	29	FT150S	52, 141
DBV-BN300	29	FT191S	52
DBV-VB300	29	FT151	45
DBV-BN400	29	FT151-12	45
DBV-VB400	29	FT151-18	45
DBVA73-2030	23	FT151P	42
DEFN075	30	FT151P-12	42
DFN100	30	FT151P-18	42
DFN100HF	30	FT151RL	58
DFN100SF	30	FT151RL-12	58
DN7LOBF	30	FT152	45
DN7UOBF	30	FT152P	42
DNOG5	31	FT152RL	58
DNOG5-NL	31	FT155	55
DNOG6	31	FT2001	46
DNOG6CX	31	FT2002	46
DNOG6RB	31	FT2003	46
FG4540	10	FT2004	46
FT100	51, 140	FT2005	46
FT100-12	51, 140	FT2006	46
FT100-18	51, 140	FT2001-12	46
FT1001	50	FT2002-12	46
FT1002	50	FT2003-12	46
FT1003	50	FT2004-12	46
FT1004	50	FT2005-12	46
FT1005	50	FT2006-12	46

Part Number Index



Call Toll Free: 1-866-711-4673
International: + 1-727-342-5086



FT201	47, 140	FT20805S.....	43
FT201-12	47, 140	FT20806S.....	43
FT201-18	47, 140	FT20801TWS	43
FT202	47	FT20802TWS	43
FT202-12	47	FT20803TWS	43
FT202-18	47	FT20804TWS	43
FT203P.....	47	FT20805TWS	43
FT203PSPEC	47	FT20806TWS	43
FT204P.....	47	FT208LCM.....	41
FT205	55	FT208P.....	41
FT206	48	FT208PP	41
FT207	45	FT208PPC.....	41
FT208	45	FT208PSS.....	41
FT208-390P.....	40	FT2101	46
FT208-390PG.....	40	FT2102	46
FT208-390PGS	40	FT2103	46
FT208-390PGST	40	FT2104	46
FT208-390PGT.....	40	FT2105	46
FT208-390PGSO.....	40	FT2106	46
FT208-390PGSTO	40	FT2101-12.....	46
FT208-390PP	40	FT2102-12.....	46
FT208-390PPG	40	FT2103-12.....	46
FT208-390PPGS.....	40	FT2104-12.....	46
FT208-390PPGST	40	FT2105-12.....	46
FT208-390PPGT	40	FT2106-12.....	46
FT208-390PPGSO	40	FT220	41
FT208-390PPGSTO	40	FT2801	44
FT208-391P.....	40	FT2802	44
FT208-391PG.....	40	FT2803	44
FT208-391PGS	40	FT2804	44
FT208-391PGST	40	FT2805	44
FT208-391PGT.....	40	FT2806	44
FT208-391PP	40	FT2807	44
FT208-391PPG	40	FT2808	44
FT208-391PPGS	40	FT2801-12.....	44
FT208-391PPGST	40	FT2802-12.....	44
FT208-391PPGT	40	FT2803-12.....	44
FT20801	43	FT2804-12.....	44
FT20802	43	FT2805-12.....	44
FT20803	43	FT2806-12.....	44
FT20804	43	FT2807-12.....	44
FT20805	43	FT2808-12.....	44
FT20806	43	FT2811	44
FT20801S.....	43	FT2812	44
FT20802S.....	43	FT2813	44
FT20803S.....	43	FT2814	44
FT20804S.....	43	FT2815	44

Part Number Index



Call Toll Free: 1-866-711-4673
International: + 1-727-342-5086



FT2816.....	44	FT390.....	54, 62
FT2817.....	44	FT390-20.....	54
FT2818.....	44	FT390G.....	54, 62
FT2811-12.....	44	FT390G-20.....	54
FT2812-12.....	44	FT390GT.....	54
FT2813-12.....	44	FT390PG-20.....	41
FT2814-12.....	44	FT390T.....	54
FT2815-12.....	44	FT390V.....	54
FT2816-12.....	44	FT391.....	54
FT2817-12.....	44	FT391P-20.....	41
FT2818-12.....	44	FT391PG-20.....	41
FT295.....	41	FT391V.....	54
FT300.....	53, 62	FT393.....	54
FT300GW.....	53	FT394.....	54
FT300P.....	41	FT394G.....	54
FT300PG.....	41	FT394P.....	41, 137
FT300SS.....	53	FT394PG.....	41, 137
FT300SSGW.....	53	FT394V-G.....	54
FT301.....	53, 62	FT394VP.....	41, 137
FT301GW.....	53	FT394VPG.....	41, 137
FT301P.....	41	FT395.....	54
FT301SS.....	53	FT395G.....	54
FT301SSGW.....	53	FT395P-20.....	41
FT302.....	53, 62	FT395PG-20.....	41, 137
FT303.....	53, 62	FT395V.....	54
FT303SS.....	53	FT395V-G.....	54
FT304.....	53, 62	FT400.....	55, 62
FT304SS.....	53	FT400-1000.....	55
FT305.....	53, 62	FT400-500.....	55, 62
FT306.....	53, 62	FT401.....	55, 62
FT306P.....	41	FT401-1000.....	55, 62
FT307.....	53, 62	FT401-150.....	55, 62
FT307SS.....	53	FT402.....	55, 62
FT310.....	53, 62, 132, 147	FT403.....	55, 62
FT310SS.....	53, 132, 147	FT404.....	55
FT311.....	53, 62, 132, 147	FT404-1000.....	55
FT311SS.....	53, 132, 147	FT404-150.....	55
FT313.....	53, 147	FT405-500.....	55
FT313SS.....	53, 147	FT450.....	55, 62
FT314.....	53, 62, 147	FT451.....	55, 62
FT314SS.....	53, 147	FT470.....	56, 62
FT315.....	53	FT520.....	56, 62
FT316.....	53, 134	FT520CASE.....	56
FT317.....	53, 147	FT520WOGA.....	56
FT317SS.....	53, 147	FT520WOGACASE.....	56
FT320.....	53, 62, 130, 132, 135-137, 147, 149, 151	FT521.....	56, 62
FT321.....	53, 62, 120, 122, 125, 127, 147, 149, 151	FT522.....	56, 62

FT523	56, 62	FT9055	141
FT530	56	FT9059	143
FT555	56, 62	FT9062	130, 135-136, 149, 151
FT600	57, 62	FT9063	130, 135-136, 149, 151
FT600C	57, 62	FT9064	143
FT600CP	57	FT9068	130, 132, 135-136, 139, 141, 147, 149, 151
FT600P	57, 62	G200BL	29
FT600S	57, 62	G200T	29
FT600SC	57, 62	G300T	29
FT601	57, 62, 154	G400T	29
FT601-10	57, 62, 154	G200VB	29
FT602	57, 62, 154	G300VB	29
FT603	57, 62	G400VB	29
FT604	57, 62, 154	G300BL	29
FT620	57, 62	G400BL	29
FT620S	57, 62	G3050	57
FT620P	62	G4000AS	88
FT621	62, 154	GS1	20
FT622	62, 154	GS1-2	20
FT623	57, 62	GS2	20
FT624	62, 154	L02BL	29
FT9000	140	L03BL	29
FT9000P	138	L04BL	29
FT9001	138, 140	L1110-L2287	83-84
FT9002	140	L2311	81
FT9003	142-143	L2312	81
FT9004	142-143	L2373	81
FT9008	132, 147	L4217	91
FT9009	132, 147	L519-12	75
FT9010	147	L519-15	74
FT9011	138, 140	NIPPLE/1	77-78, 83
FT9013	132, 147	NUT.25HX-SS	96-97
FT9020	132, 147	NUTL357-1	120-121
FT9021	55	O-RING#132	87, 119, 122
FT9022	55	O-RING#39	80
FT9023	55	O-RING-AS-129	120-121
FT9024	55	O-RING-AS-334	83-84, 88-90
FT9025	55	O-RING-AS016	120-121
FT9030	142	O-RING-AS339-V	87
FT9031	143-144	PC30	20
FT9034	132, 147	PIN-L389-SS	119
FT9036	131, 144	PIN5/16X 1 1/4-P	78
FT9037	56	PIN5/16X11/4P	83
FT9040	131, 144	RING-VH-225	87
FT9046	132, 147	RING-WH-50	95
FT9051	130, 135-136, 149, 151	SA4050AL	15
FT9052	130, 135-136, 149, 151		

SA4050BZ	15	TTF4ALHC-4MT	9
SC1024375-SS.....	87	U-CUP-2/75.....	80
SC3/8NCX1/2.....	80	VAC4030RK	89
SC5-16NCX.75FSS.....	87-88	VR3100.....	17
SC5/16-18X2.5P.....	80	VR3100NP.....	17
SINGLE1518R.....	154	VR4000.....	17
SLV358-1.....	121	VR4000-2	87
SLVL358-1.....	120	VR4000-3	87
SPRG-972	122	VR4000-4	87
SPRG-A4630.....	95	VR4000-5	87
SPRG-L368.....	119-122	VR4030CS-1	89
SPRG-L4506	94	VR4030CS-3	91
SPRG/L4238	89	VR4030CS-4	89
SPRG/L4432	87	VR4030CS-AL.....	17
SPRING-L5123.....	87-88	VR4030CS-NP	17
STEMPACK-L360.....	120-121	VR4040CS-4MNPT	17
SWMF-RK1	123	VR4040CS-AL.....	17
SWMF-RK2	123	VR4040CSRK1.....	90
SWMF-RK22	123	VR4040CSRK2.....	90
SWMF-RK3	123	VR4040CSRK3.....	90
SWMF-RK32	123	VR4050AL	15, 17
SWMF-RK4	125	VR4050ALC.....	15, 17
SWMF-RK42	127	VR4050PL	15, 17
SWMF-RK5	125	VR4050PLC.....	15, 17
SWMF-RK52	127	VR4050PLRK1	86
SWMF-RK6	125	VR4075.....	86
SWMF125.....	34	VR4076.....	86
SWMF150.....	34	VR4077.....	86
SWMF200.....	34	VR4086.....	15
TDF6.....	20	VR4086-BY.....	15
TDF68RK.....	95	VR4100.....	17
TDF7.....	20	VR4100-2	88
TDF7RK.....	95	VR4100-3	87-88
TDF8.....	20	VR4100F	17
TL4070BZ.....	15	VR4100F-NGNP	17
TRUARC-5100-25	81	VR4100F-SFI.....	17
TTF3AL.....	9	VR4100FNG	17
TTF3AL-3MT	9	VR4100NP.....	17
TTF400SP	9	VR4100NPS	17
TTF4AL.....	9	VR4100RK1.....	87
TTF4AL-3EMT	9	VR4100S	17
TTF4AL-3FT	9	VR6000-1	83
TTF4AL-3MT	9	VR6000-2	85
TTF4AL-4EMT	9	VR6000-3	83-84, 88-90
TTF4AL-4FT	9	VR6000-4	83-84
TTF4AL-4MT	9	VR6000-5	83-84
TTF4ALHC-3MT	9	VR6000-6	16, 82, 83-84

VR6000-7	83, 89
VR6000-8	83
VR6000-9	83
VR6000NP.....	16
VR6030RK1.....	92
VR6030RK2.....	92
VR6030RK3.....	92
VR6030RKV1	92
VR6030RKV3	92
VR6030SQ	18
VR6035RK1.....	93
VR6035RK2.....	93
VR6035RK3.....	93
VR6035RK4.....	93
VR6035RKV1	93
VR6035RKV3	93
VR6035SQ	18
VR6100CAK	82
VR6100NP.....	16
VR6200.....	16
VR6200ANP	16
VR6200ARK	83
VR6200NP.....	16
VR6200NPB	16
VR6200NPBP.....	16
VR6200NPBU.....	16
VR6200NPDP.....	16
VR6200PNP	16
VR6230.....	83-84
VR6500.....	16
VR6500RK1.....	84
VR6500LPNP	16
VR6500NP.....	16
VR6500RK1.....	84
VRC3000AL.....	17
VRP3500	18
VRP3600	18
VRP3500-2.....	94
VRP3500-4.....	94
VRP3501-6.....	94
VRV3501	18
VRV3501-2.....	94
VRV3501-3.....	94
VRV3501-4.....	94
VRV3501-5.....	94
VRV3501-6.....	94
WASHER.375-SS.....	75



Call Toll Free: 1-866-711-4673
International: + 1-727-342-5086



Limited Warranty

DIXON VALVE AND COUPLING COMPANY (herein called "Dixon") warrants the products described herein, and manufactured by Dixon to be free from defects in material and workmanship for a period of one (1) year from date of shipment by Dixon under normal use and service. Its sole obligation under this warranty being limited to repairing or replacing, as hereinafter provided, at its option any product found to Dixon's satisfaction to be defective upon examination by it, provided that such product shall be returned for inspection to Dixon's factory within three (3) months after discovery of the defect. The repair or replacement of defective products will be made without charge for parts or labor. This warranty shall not apply to: (a) parts or products not manufactured by Dixon, the warranty of such items being limited to the actual warranty extended to Dixon by its supplier; (b) any product that has been subject to abuse, negligence, accident, or misapplication; (c) any product altered or repaired by others than Dixon; and (d) to normal maintenance services and the replacement of service items (such as washers, gaskets and lubricants) made in connection with such services. To the extent permitted by law, this limited warranty shall extend only to the buyer and any other person reasonably expected to use or consume the goods who is injured in person by any breach of the warranty. No action may be brought against Dixon for an alleged breach of warranty unless such action is instituted within one (1) year from the date the cause of action accrues. This limited warranty shall be construed and enforced to the fullest extent allowable by applicable law.

Other than the obligation of Dixon set forth herein, Dixon disclaims all warranties, express or implied, including but not limited to any implied warranties of merchantability or fitness for a particular purpose, and any other obligation or liability. The foregoing constitutes Dixon's sole obligation with respect to damages, whether direct, incidental or consequential, resulting from the use or performance of the product.

Some products and sizes may be discontinued when stock is depleted, or may require a minimum quantity for ordering.

Limits of Liability

This catalog is intended as a product offering. It is not intended to be a user or technical manual. Information in this catalog is subject to change without notice. All users and distributors of products sold through this catalog should contact Dixon™ with questions of use, compatibilities, coupling procedures and life of product. Our full-time engineering and test staff is always available to recommend uses and to assist distributors and users with any questions.



Safety



Safety logos, which appear throughout our catalog, are used as a reminder that the user should carefully review for the appropriateness of the product for the media, application and environment in which it will be used.

NOTE: Because of the health hazards associated with contamination and lead content in drinking water systems, Dixon™ couplings, unless otherwise specifically approved, are not recommended for potable water service and should not be used in applications where drinking water will contact the wetted surfaces of the coupling.

Warning: Dixon™ products may contain chemicals known to the State of California to cause cancer, birth defects, or other reproduction harm.

Copyright

Copyright © 2016 by Dixon Valve and Coupling

All rights reserved. This book is copyrighted material. Use, reproduction or copying of it by anyone other than Dixon™ is strictly forbidden without its express written consent.

GOODYEAR
GOODYEARBELTING.COM

Call Toll Free: 1-866-711-4673
International: +1-727-342-5086

We Ship
World Wide

Petroleum Products

pages 2 - 36

Overfill Products

pages 37 - 66

Petroleum Replacement Parts

pages 67 - 128

Overfill Replacement Parts

pages 129 - 154

Index

pages 155 - 176

United States

Albany, NY
ph 518.725.0998
178A Corporate Drive
Gloversville, NY 12078
fx 518.725.8542

Atlanta, GA
ph 770.486.9619
101 T.D.K. Boulevard
Suite A
Peachtree City, GA 30269
fx 770.486.9813

Dallas, NC
ph 704-376-5755
2925 Chief Court
Dallas, NC 28034
fx 704-376-1557

Chestertown, MD
ph 800.355.1991
800 High Street
Chestertown, MD 21620
fx 800.283.4966

Chicago, IL
ph 630.323.3716
1011 N. Hilltop Drive
Itasca, IL 60143
fx 630.323.4120

Cleveland, OH
ph 330.425.3000
1900 Enterprise Parkway
Twinsburg, OH 44087
fx 330.425.1527



The Right Connection®

Dixon Bayco
800 High Street
Chestertown, MD 21620

Tech Hot Line: 877-582-3569

Customer Service: 410-778-2002 • 800-355-1991

Fax: 410-778-4702 • 800-283-4966

dixonvalve.com



Houston, TX
ph 713.678.4291
6525 Homestead Road
Houston, TX 77028
fx 713.678.8105

Kansas City, MO
ph 816.221.0064
1244 Saline Street
N. Kansas City, MO 64116
fx 816.221.1108

Los Angeles, CA
ph 909.605.6400
8840 Flower Road
Suites 150/160
Rancho Cucamonga, CA 91730
fx 909.605.6200

Portland, OR
ph 503.289.0400
2642 North Marine Drive
Portland, OR 97217
fx 503.289.0600

Salt Lake City, UT
ph 801.972.1180
McGillis Ind. Pk. Bldg., #4
1972 South 4370 West
Salt Lake City, UT 84104
fx 801.972.8063

Tampa, FL
ph 813.247.3500
5120 Adamo Drive
Suite E
Tampa, FL 33619
fx 813.247.7910

International

Edmonton, Alberta, Canada
ph 780.469.5444
fx 780.463.9205

Innisfil, Ontario, Canada
ph 705.436.1125
fx 705.436.6251

Montreal, Quebec, Canada
ph 514.422.9292
fx 514.422.0166

Wingfield SA, Australia
ph 61.8.8202.6000
fx 61.8.8202.6099

Preston, England
ph 44.1.77.232-3529
fx 44.1.77.231.4664

Troisdorf-Spich, Germany
ph 49.2241.84406.0
fx 49.2241.8440679

Monterrey, Mexico
ph 52.81.8354.5649
fx 52.81.8354.8197

dixonvalve.com



customer service



GOODYEAR
GOODYEARBELTING.COM

Call Toll Free: 1-866-711-4673
International: +1-727-342-5086

We Ship
World Wide